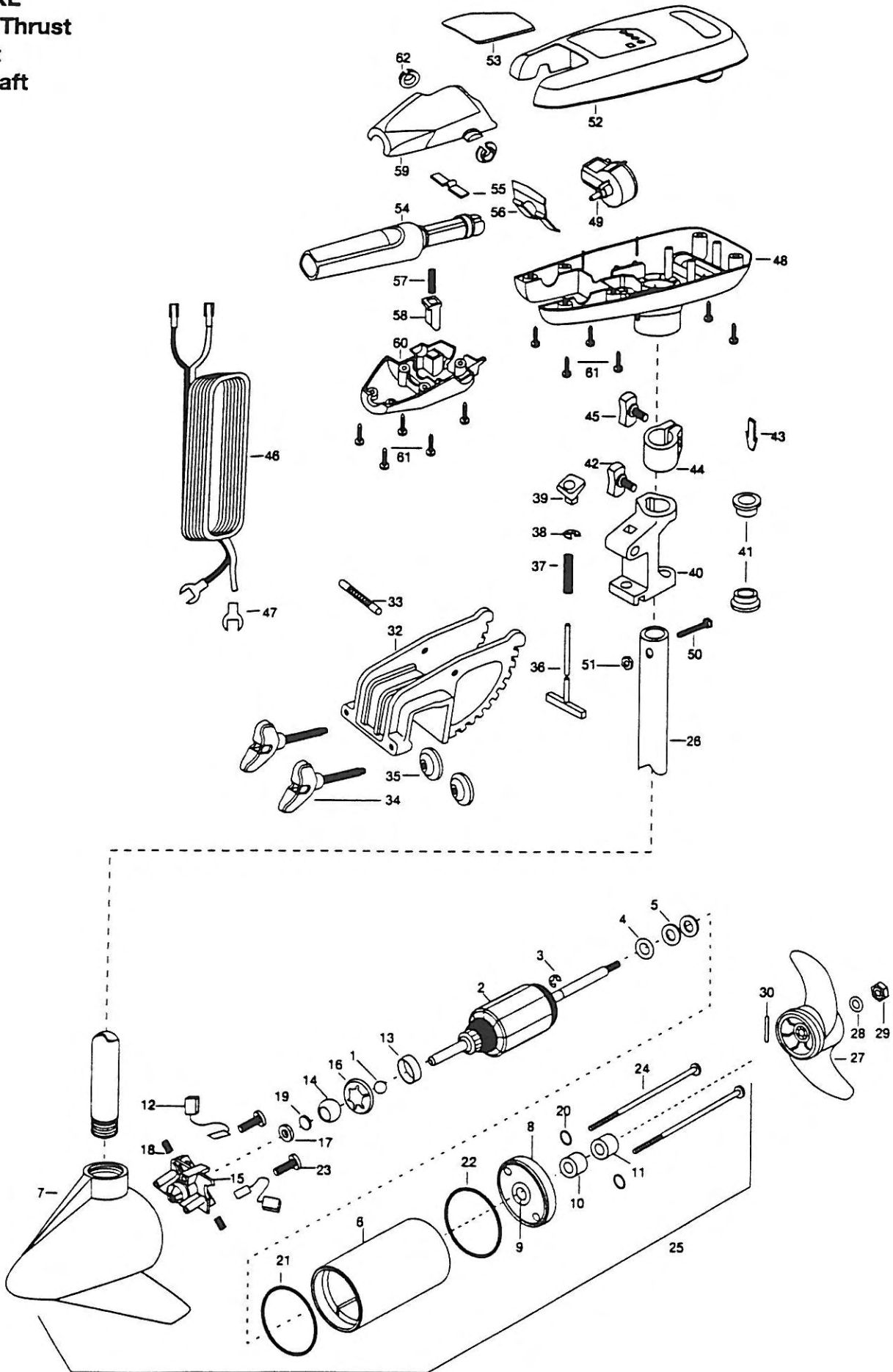


90TA-XL  
40 lbs Thrust  
12 Volt  
36" Shaft



1	116-020	BALL - STEEL	■	2771907	BRACKET ASSEMBLY ( INCLUDES 32, 34, 35 )
2	2-100-001	ARM ASSEMBLY 12V 3.25 40*	*32	2031910	BRACKET
3	788-015	RETAINING RING	33	2010511	PIN-HINGE
4	990-067	WASHER - STEEL THRUST	■	2881300	SCREW-CLAMP, WASHER, RETAINER [2.EA] KIT
5	990-070	WASHER - NYLATRON	*34	2061300	SCREW-CLAMP [2. EA]
6	431-079	HOUSING ASSEMBLY CENTER 3.25 TXT	*35	2011710	WASHER-CLAMP SCREW 1.5OD [2. EA]
7	2-300-132	HOUSING ASSEMBLY BRUSH END 3.25	36	2033602	T-BAR
8	2-400-124	PLAIN END HOUSING ASSEMBLY	37	2012700	SPRING- (T-BAR)
9	144-049	BEARING - FLANGE [SERVICE ONLY]	38	2013000	E-RING
10	880-003	SEAL	39	2010111	KNOB-TILT (RED)
11	880-006	SEAL WITH SHIELD	40	2031831	HINGE-MACHINED
12	188-052	BRUSH ASSEMBLY [2.EA ]	41	2037300	BUSHING-HINGE [2. EA]
13	725-033	BRUSH RETENTION	42	2011385	SCREW-TENSION/NEW KNOB
14	144-050	BEARING - SPHERICAL	43	2062800	TENSION BLOCK- SNAP IN
15	737-031	BRUSH PLATE W/HOLDER 3.25 ASSEMBLY-INCL.14, 15, 16, 17	44	2061520	COLLAR-DEPTH
16	784-036	BEARING RETAINER	45	2011365	SCREW-COLLAR/NEW KNOB
17	991-025	WASHER - FELT	46	2050609	LEADWIRE 10 GA SPADE TERM
18	975-032	SPRING - COMPRESSION	47	2020702	TERMINAL SPADE 10GA [2. EA]
19	303-039	THRUST DISC - METAL	48	2062551	CONTROL BOX PLAS W/HAND
20	701-007	O-RING [2. EA]	49	2064023	SWITCH-FWD/REV 5SPD
21	701-041	O-RING	50	2033400	SCREW-10-24 K 1-3/4
22	701-039	O-RING MK406460	51	2013110	NUT-10-24 HEX
23	830-001	SCREW - SELF-THREAD 8-32 X 1.7 [2.EA ]	52	2060281	CONTROL BOX COVER-(BLK)
24	830-078	THRU BOLT 8-32 X 8.96 [2. EA]	53	2095668	DECAL-COVER, 90T-XL
25	2068050	MOTOR ASSEMBLY 12V3.25 5SPD TXT	54	2990912	HANDLE ASSEMBLY-W/U-JOINT 5SPD
26	2032052	TUBE (COMP)W/CS K HOLE 36"	55	2302742	SPRING-DETENT OFF) (SS)
■	1378126	PROP KIT	56	2302743	SPRING-DETENT HANDLE-TILT
27	2061125	PROP (65 WEEDLESS WEDGE)	57	2302745	SPRING-RELEASE BUTTON (SS)
28	2151726	WASHER- 5/16 STD SS	58	2303720	RELEASE BUTTON-HANDLE
29	2053101	NUT-PROP NYLOC	59	2060408	HANDLE (TOP HALF)
30	2092600	PIN-DRIVE (SS)	60	2060415	HANDLE (LOWER HALF)
■	2771801	BRACKET & HINGE ASSEMBLY RED KNOB (FW)- INCL 32-43	61	2303412	SCREW-6-20 x 5/8 SELF TAP [11 EA]
			62	2060005	BEARING-HANDLE PIVOT [2. EA]

90 T-XL

\* This item is part of an assembly. This item cannot be sold separately due to machining and /or assembly that is required.

P/N 2034948 REV.B 9-00

# Turbo Transom Series Wiring Diagrams

12-volt models

