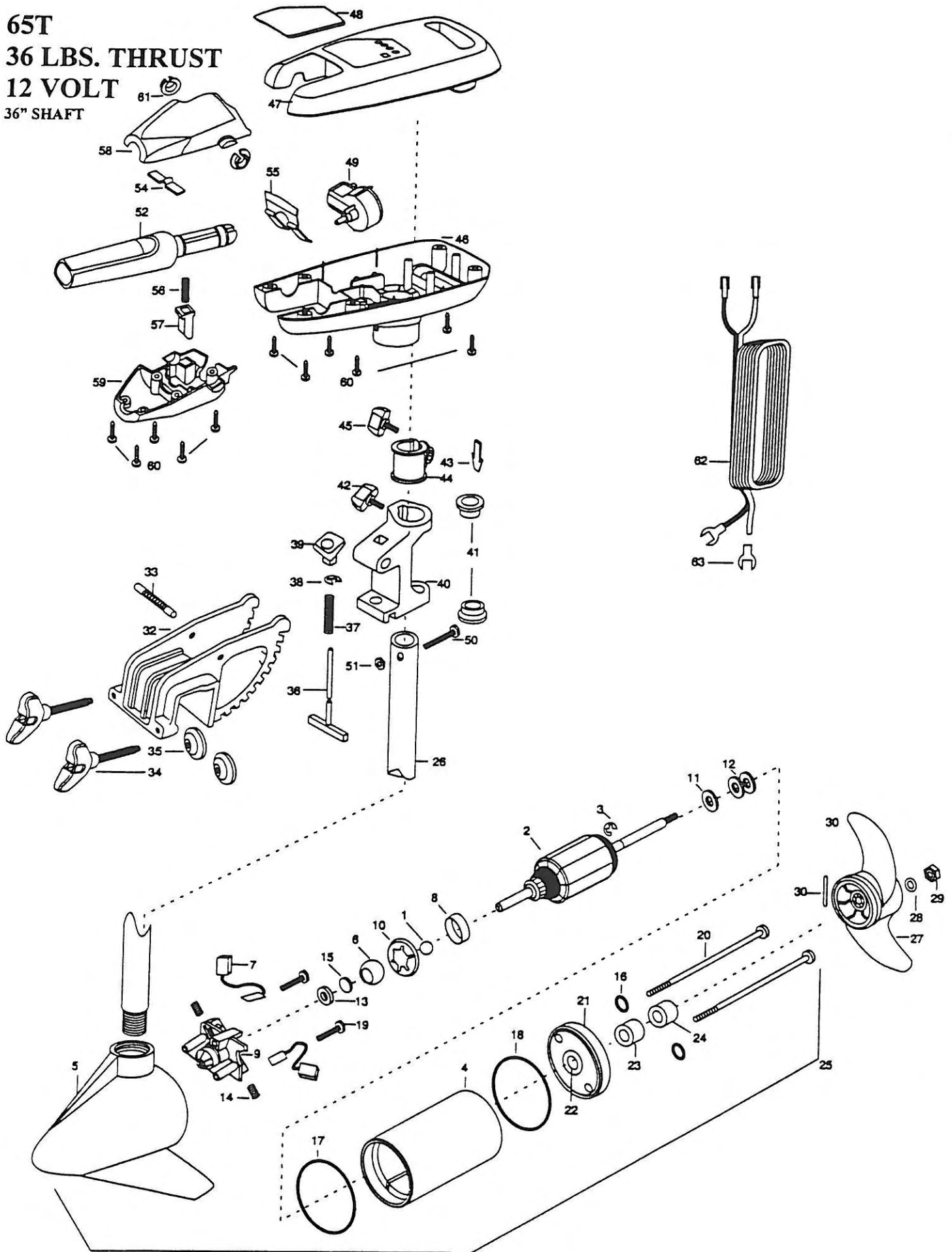


65T
36 LBS. THRUST
12 VOLT
36" SHAFT



1	116-020	BALL - STEEL			
2	2-100-178	ARM ASSEMBLY 12V 3.25			
3	788-015	RETAINING RING			
4	431-079	HOUSING ASSEMBLY CENTER 3.25 TXT			
5	2-300-132	BRUSH END HOUSING ASSEMBLY			
6	144-050	BEARING - SPHERICAL			
7	188-052	BRUSH ASSEMBLY [2 EA]			
8	725-033	BRUSH RETENTION			
9	737-031	BRUSH PLATE W/HOLDER 3.25 ASSEMBLY INCLUDES 6, 9, 10, 13			
10	784-036	BEARING RETAINER			
11	990-067	WASHER- STEEL THRUST			
12	990-070	WASHER- NYLATRON [2 EA]			
13	991-025	WASHER- FELT			
14	975-032	SPRING - COMPRESSION			
15	303-039	THRUST DISC- METAL			
16	701-007	O-RING [2. EA]			
17	701-041	O-RING			
18	701-039	O-RING MK406460			
19	830-001	SCREW- SELF-THREAD 8-32 X 1.7 [2.EA]			
20	830-078	THRU BOLT 8-32 X 8.96 [2. EA]			
21	2-400-127	PLAIN END HOUSING ASSEMBLY			
22	144-099	FLANGE BEARING (SERVICE ONLY)			
23	880-003	SEAL			
24	880-006	SEAL WITH SHIELD			
25	2069041	MOTOR ASSEMBLY 12V 3.25 5SPC TXT 47			
26	2032052	TUBE (COMPOSITE) 36*			
	■ 1378126	PROP KIT			
27	2061125	PROP- W.WEDGE			
28	2151726	WASHER- 5/16 STD SS			
29	2053101	NUT-PROP NYLOC			
30	2092600	PIN-DRIVE (SS)			
	■ 2771801	BRACKET & HINGE ASSEMBLY - RED KNOB (INCL 32-43)			
	■ 2771907	BRACKET ASSEMBLY (INCLUDES 32, 34, 35)			
*32	2031910	BRACKET			
			33	2010511	PIN-HINGE
			■	2881300	SCREW-CLAMP, WASHER, RETAINER [2.EA] KIT
			*34	2061300	SCREW-CLAMP [2. EA]
			*35	2011710	WASHER-CLAMP SCREW [2. EA]
			36	2033602	T-BAR
			37	2012700	SPRING-T-BAR
			38	2013000	E-RING
			39	2010111	KNOB-TILT
			40	2031831	HINGE
			41	2037300	BUSHING-HINGE [2. EA]
			42	2011385	SCREW-TENSION W/NEW KNOB
			43	2062800	TENSION BLOCK-"SNAP IN"
			44	2061520	COLLAR-DEPTH
			45	2011365	SCREW-COLLAR W/NEW KNOB
			46	2062551	CONTROL BOX W/HAND
			47	2060281	CONTROL BOX COVER- (BLACK)
			48	2065684	DECAL COVER-65T
			49	2064023	SWITCH-FWD/REV -5 SP
			50	2033400	SCREW-10-24 X 1-3/4
			51	2013110	NUT-HEX 10-24 ZCP
			52	2990912	HANDLE ASSEMBLY W/U-JOINT 5SP
			54	2302742	SPRING-DETENT (OFF) (SS)
			55	2302743	SPRING-DETENT (HANDLE)
			56	2302745	SPRING-RELEASE BUTTON (SS)
			57	2303720	RELEASE BUTTON-HANDLE
			58	2060408	HANDLE (TOP HALF)
			59	2060415	HANDLE (LOWER HALF)
			60	2303412	SCREW-6-20 X 5/8 SELF TAP [11. EA]
			61	2060005	BEARING-HANDLE PIVOT [2. EA]
			62	2050609	LEADWIRE (10 GA SPADE TERM)
			63	2020702	SPADE TERMINAL 10GA. [2. EA]

65T

* This item is part of an assembly. This item cannot be sold separately due to machining and /or assembly that is required.

Turbo Transom Series Wiring Diagrams

12-volt models

