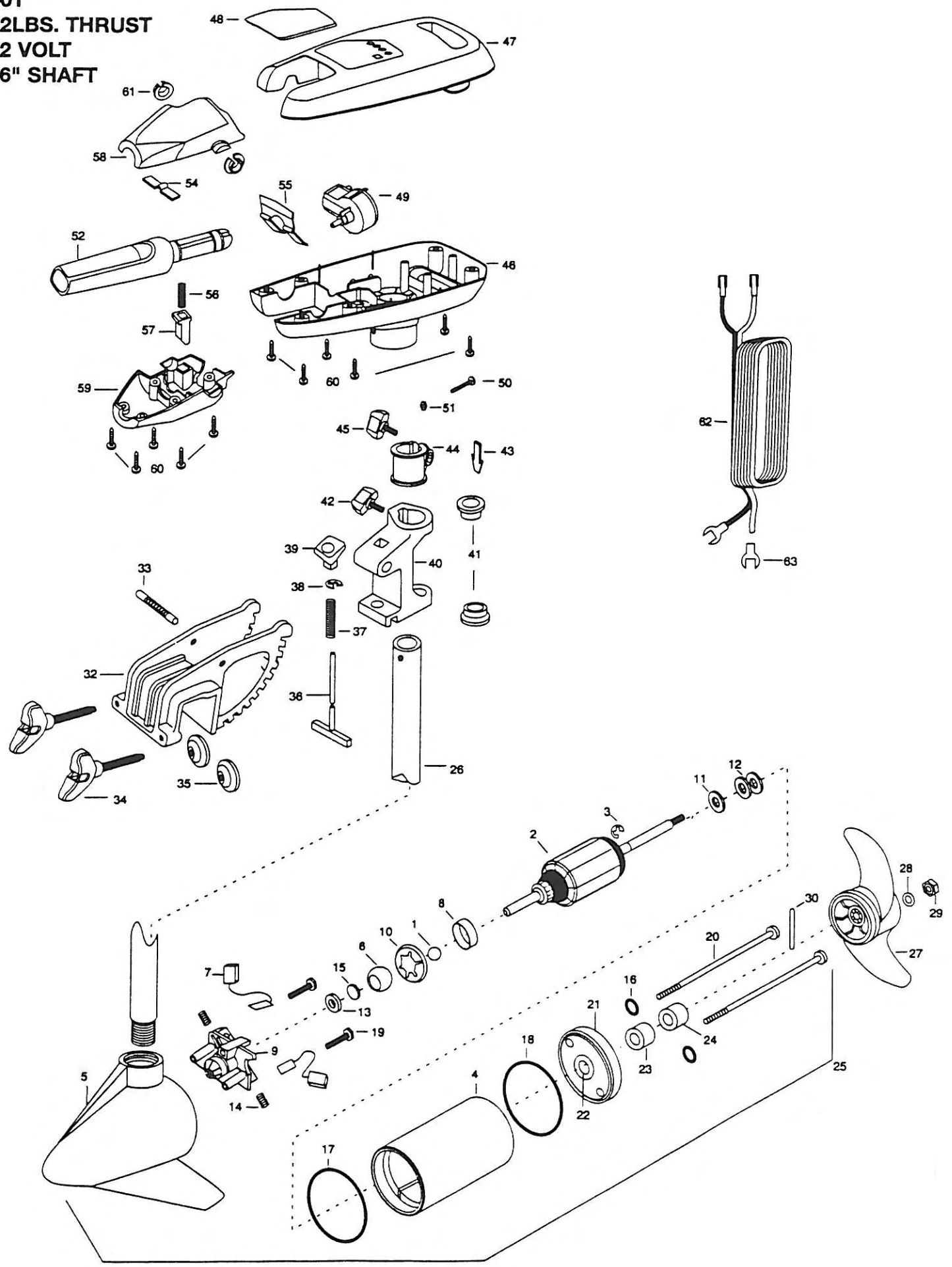


50T
32LBS. THRUST
12 VOLT
36" SHAFT



1	116-020	BALL- STEEL			
2	2-100-178	ARMATURE ASSEMBLY 12V 3.25	■	2771801	BRACKET & HINGE ASSEMBLY RED KNOB INC. 32-43
3	788-015	RETAINING RING	■	2771907	BRACKET ASSEMBLY INCLUDES 32, 34, 35
4	431-079	HOUSING ASSEMBLY CENTER 3.25 TXT	*32	2031910	BRACKET
5	2-300-132	BRUSH END HOUSING ASSEMBLY	33	2010511	PIN-HINGE
6	144-050	BEARING- SPHERICAL	■	2881300	SCREW-CLAMP, WASHER, RETAINER KIT [2.EA]
7	188-052	BRUSH ASSEMBLY [2.EA]	*34	2061300	SCREW-CLAMP ENDURA [2.EA]
8	725-033	BRUSH RETENTION- PAPER TUBE	*35	2011710	WASHER-CLAMP SCREW [2.EA]
9	737-031	BRUSH PLATE W/HOLDER 3.25 ASSEMBLY INCLUDES 6, 9, 10, 13	36	2033602	T-BAR
10	784-036	BEARING RETAINER	37	2012700	SPRING-T-BAR
11	990-067	WASHER- STEEL	38	2013000	E-RING
12	990-070	WASHER- NYLATRON [2.EA]	39	2010111	KNOB-TILT
13	991-025	WASHER- FELT	40	2031831	HINGE
14	975-032	SPRING- COMPRESSION	41	203730D	BUSHING-HINGE [2.EA]
15	303-039	THRUST DISC- METAL	42	2011385	SCREW-TENSION W/NEW KNOB
16	701-007	O-RING [2.EA]	43	2062800	TENSION BLOCK-"SNAP IN"
17	701-041	O-RING	44	2061520	COLLAR-DEPTH ENDURA
18	701-039	O-RING MK406460	45	2011365	SCREW-COLLAR W/NEW KNOB
19	830-001	SCREW- SELF THREAD 8-32 X 1.7 [2.EA]	46	2062551	CONTROL BOX-PLAS W/HAND
20	830-078	THRU BOLT 8-32 X 8.96 [2.EA]	47	2060281	CONTROL BOX COVER- BLK
21	2-400-127	HOUSING- PLAIN END ASSEMBLY	48	2065609	DECAL COVER-50TA
22	144-049	BEARING- FLANGE	49	2064023	SWITCH-FWD/REV COMBO-5 SP
23	880-003	SEAL	50	2033400	SCREW-10-24 X 1-3/4
24	880-006	SEAL W/SHIELD	51	2013110	NUT-HEX ZINC/CAD PLATE
25	2069041	MOTOR ASSEMBLY 12V 3.25 5SPC TXT	52	2990912	HANDLE ASSEMBLY W/U-JOINT 5SP
26	2032052	TUBE- COMPOSITE 38"	54	2302742	SPRING-DETENT OFF (SS)
■	1378126	PROP KIT	55	2302743	SPRING-DETENT HANDLE
*27	2061125	PROP- WEEDLESS WEDGE	56	2302745	SPRING-RELEASE BUTTON (SS)
*28	2151726	WASHER-PROP (MEDIUM)	57	2303720	RELEASE BUTTON-HANDLE
*29	2053101	NUT-PROP NYLOC	58	2060408	HANDLE- TOP HALF
*30	2092600	PIN-DRIVE (SS)	59	2060415	HANDLE- LOWER HALF
			60	2303412	SCREW-6-20 X 5/8 SELF TAP [11.EA]
			61	2060005	BEARING-HANDLE PIVOT [2.EA]
			62	2050609	LEADWIRE 10 GA SPADE TERM
			63	2020702	TERMINAL- SPADE 10GA [2.EA]

* This item is part of an assembly. This item cannot be sold separately due to machining and /or assembly that is required.

P/N 2034945 REV. B 9-00

Turbo Transom Series Wiring Diagrams

12-volt models

