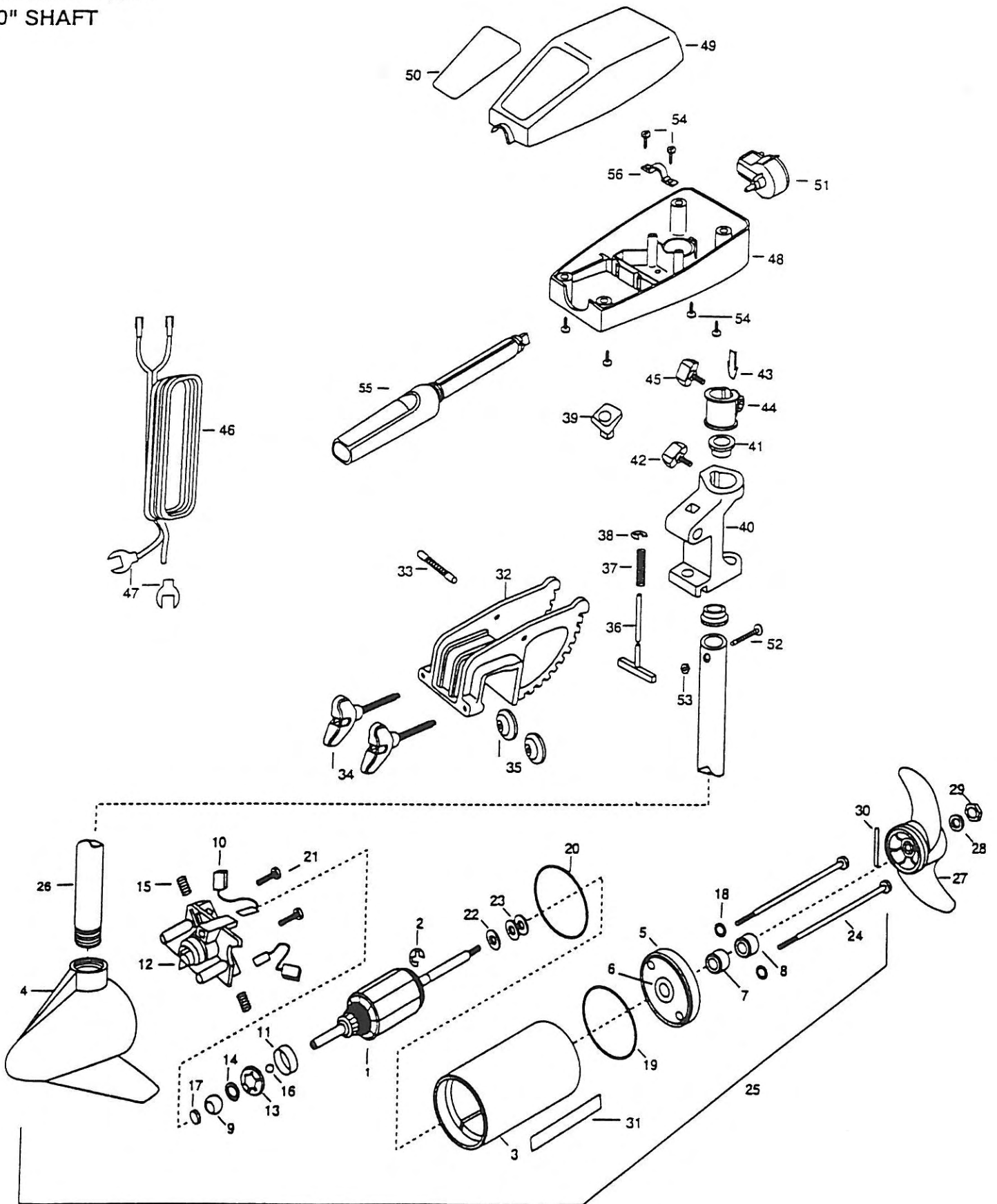


CLASSIC 28
12 VOLT
28 LBS THRUST
30" SHAFT



- | | | | | | | |
|-----|-----------|---|-----|---------|--|-------------------------------|
| 1 | 2-100-077 | ARMATURE ASSEMBLY 12V 3.25 | | | | |
| 2 | 788-015 | RETAINING RING | ■ | 2771801 | BRACKET & HINGE ASSEMBLY RED KNOB | |
| 3 | 431-177 | HOUSING ASSEMBLY CENTER 3.25 TXT | ■ | 2771907 | BRACKET W/CLAMP SCREW ASSEMBLY (INCL.32,34,35) | |
| 4 | 2-300-142 | BRUSH END HOUSING ASSEMBLY | *32 | 2031910 | BRACKET PLASTIC | |
| 5 | 2-400-127 | PLAIN END HOUSING ASSEMBLY | 33 | 2010511 | PIN-HINGE | |
| 6 | 144-049 | FLANGE BEARING | *34 | 2061300 | SCREW- CLAMP | |
| 7 | 880-003 | SEAL | *35 | 2011710 | WASHER- CLAMP SCREW 1.50D | |
| 8 | 880-006 | SEAL W/SHIELD | ■ | 2881300 | CLAMP SCREW, WASHER, RETAINER KIT | |
| 9 | 144-050 | BEARING- SPHERICAL | 36 | 2033602 | T-BAR PLASTIC | |
| 10 | 188-052 | BRUSH ASSEMBLY [2.EA] | 37 | 2012700 | SPRING- T-BAR | |
| 11 | 725-033 | BRUSH RETAINER | 38 | 2013000 | E-RING | |
| 12 | 738-031 | BRUSH PLATE WITH HOLDER 3.25
ASSEMBLY INCLUDES 9,13,14 | 39 | 2010111 | KNOB- TILT RED | |
| 13 | 784-036 | BEARING RETAINER | 40 | 2031831 | HINGE-PLASTIC | |
| 14 | 991-025 | WASHER- FELT | 41 | 2037300 | BUSHING-HINGE [2.EA] | |
| 15 | 975-032 | SPRING COMPRESSION | 42 | 2011385 | SCREW-TENSION/NEW KNOB | |
| 16 | 116-020 | BALL- STEEL | 43 | 2062800 | TENSION BLOCK | |
| 17 | 303-039 | THRUST DISK- METAL | 44 | 2061520 | COLLAR-DEPTH ((ENDURA) | |
| 18 | 701-007 | O-RING [2.EA] | 45 | 2011365 | SCREW-COLLAR/NEW KNOB | |
| 19 | 701-039 | O-RING MK406460 | 46 | 2020606 | LEADWIRE-14GA FLAG TERM | |
| 20 | 701-041 | O-RING | 47 | 2020703 | SPADE TREMINAL-14 AWG [2.EA] | |
| 21 | 830-001 | SCREW SELF THREAD 8-32X1.7 [2.EA] | 48 | 2062542 | CONTROL BOX | |
| 22 | 990-067 | WASHER- STEEL | 49 | 2060251 | CONTROL BOX COVER | |
| 23 | 990-070 | WASHER- NYLATRON [2.EA] | 50 | 2035608 | DECAL-COVER 28 CLASSIC TS | |
| 24 | 830-076 | THRU BOLT 8-32X8.0 [2.EA] | 51 | 2064023 | SWITCH-FWD/REV 5SP | |
| 25 | 2069060 | MOTOR ASSEMBLY 12V 3.25 5SPC TXT | 52 | 2033400 | SCREW-10-24 X 1-3/4 | |
| 26 | 2032045 | TUBE (COMPOSITE) 30" 7/8 | 53 | 2013110 | NUT-10-24 HEX | |
| | ■ | 1378121 | | 54 | 2012100 | SCREW-8-18 X 5/8 [6.EA] |
| | | PROP W/DRIVE PIN, WASHER, NUT KIT | | 55 | 2030992 | HANDLE ASSEMBLY CLASSIC 5 SPD |
| *27 | 2061121 | PROPELLER 3.25 HUB DIA | | 56 | 2010030 | BEARING HANDLE CAP |
| *28 | 2151726 | WASHER- 5/16 STD SS | | | | |
| *29 | 2053101 | NUT- NYLOC MED 5/16 SS | | | | |
| *30 | 2092600 | PIN- DRIVE SS | | | | |
| 31 | 2006603 | DECAL- LOWER UNIT WHITE | | | | |

* This item is part of an assembly. This item cannot be sold separately due to machining and /or assembly that is required.

Endura Transom Series

(includes: Endura, Power Max, Endura Pro, and Spider 50)

Wiring Diagrams

