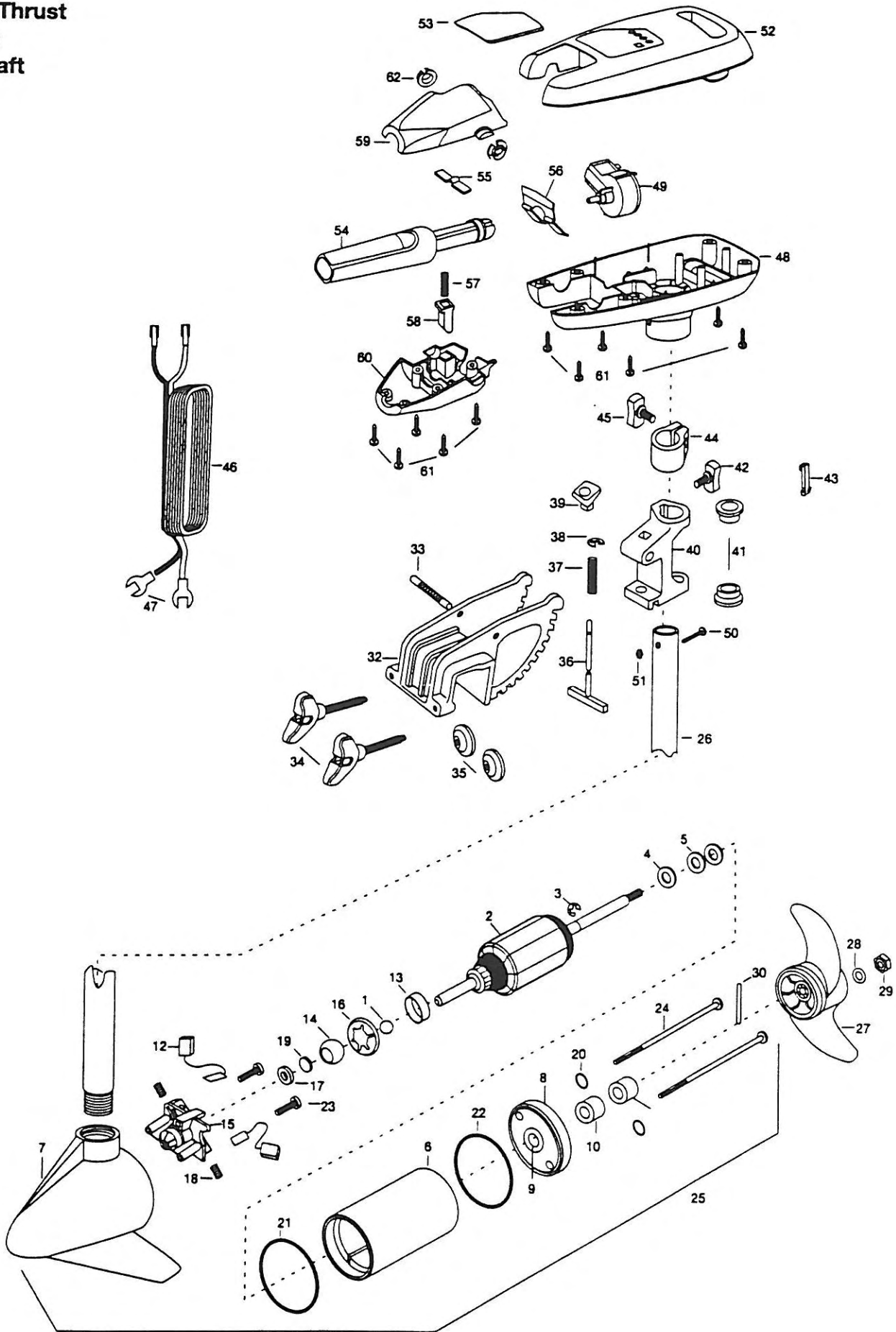


44XL CAMO
44 lbs Thrust
12 Volt
36" Shaft



1	116-020	BALL - STEEL	■	2771805	BRACKET & HINGE ASSEMBLY BLACK KNOB (FW)- INCL 32-43
2	2-100-001	ARM ASSEMBLY 12V 3.25 40*	■	2771907	BRACKET ASSEMBLY (INCLUDES 32,34,35)
3	788-015	RETAINING RING	*32	2031910	BRACKET
4	990-067	WASHER - STEEL THRUST	33	2010511	PIN-HINGE
5	990-070	WASHER - NYLATRON [2.EA]	■	2881300	SCREW-CLAMP, WASHER, RETAINER [2.EA] KIT
6	431-079	HOUSING ASSEMBLY CENTER 3.25 TXT	*34	2061300	SCREW-CLAMP [2. EA]
7	2-300-132	HOUSING ASSEMBLY BRUSH END 3.25	*35	2011710	WASHER-CLAMP SCREW 1.5OD [2. EA]
8	2-400-124	PLAIN END HOUSING ASSEMBLY	36	2033602	T-BAR-
9	144-049	BEARING - FLANGE [SERVICE ONLY]	37	2012700	SPRING- (T-BAR)
10	880-003	SEAL	38	2013000	E-RING-
11	880-006	SEAL WITH SHIELD	39	2010112	KNOB-TILT (BLACK)
12	188-052	BRUSH ASSEMBLY [2.EA]	40	2031831	HINGE-MACHINED
13	725-033	BRUSH RETENTION	41	2037300	BUSHING-HINGE [2. EA]
14	144-050	BEARING - SPHERICAL	42	2011385	SCREW-TENSION/NEW KNOB
15	737-031	BRUSH PLATE W/HOLDER 3.25 ASSEMBLY-INCL.14,15,16,17	43	2062800	TENSION BLOCK- SNAP IN
16	784-036	BEARING RETAINER	44	2061520	COLLAR-DEPTH
17	991-025	WASHER - FELT	45	2011365	SCREW-COLLAR/NEW KNOB
18	975-032	SPRING - COMPRESSION	46	2050609	LEADWIRE 10 GA SPADE TERM
19	303-039	THRUST DISC - METAL	47	2020702	TERMINAL SPADE 10GA [2. EA]
20	701-007	O-RING [2. EA]	48	2067700	CONTROL BOX CAMO W/HAND 5SPD
21	701-041	O-RING	49	2064023	SWITCH-FWD/REV 5SPD
22	701-039	O-RING MK406460	50	2033400	SCREW-10-24 K 1-3/4
23	830-001	SCREW - SELF-THREAD 8-32 X 1.7 [2.EA]	51	2013110	NUT-10-24 HEX
24	830-078	THRU BOLT 8-32 X 8.96 [2. EA]	52	2060282	CONTROL BOX COVER-(CAMO)
25	2068050	MOTOR ASSEMBLY 12V3.25 5SPD TXT	53	2095669	DECAL-COVER, 44XL CAMO
26	2067705	TUBE (COMP)W/CS K HOLE 36" CAMO DIPPED	54	2990917	HANDLE ASSEMBLY-W/U-JOINT 5SPD
■	1378126	PROPELLER KIT INCL. 27,28,29,30	55	2302742	SPRING-DETENT OFF (SS)
*27	2061125	PROPELLER W/WEDGE	56	2302743	SPRING-DETENT HANDLE-TILT
*28	2151726	WASHER-PROP (MEDIUM)	57	2302745	SPRING-RELEASE BUTTON (SS)
*29	2053101	NUT-PROP NYLOC	58	2303720	RELEASE BUTTON-HANDLE
*30	2092600	PIN-DRIVE (SS)	59	2067702	HANDLE (TOP HALF) CAMO
			60	2067701	HANDLE (LOWER HALF) CAMO
			61	2303412	SCREW-6-20 x 5/8 SELF TAP [11 EA]
			62	2060005	BEARING-HANDLE PIVOT [2. EA]

* This item is part of an assembly. This item cannot be sold separately due to machining and /or assembly that is required.

Turbo Transom Series Wiring Diagrams

12-volt models

