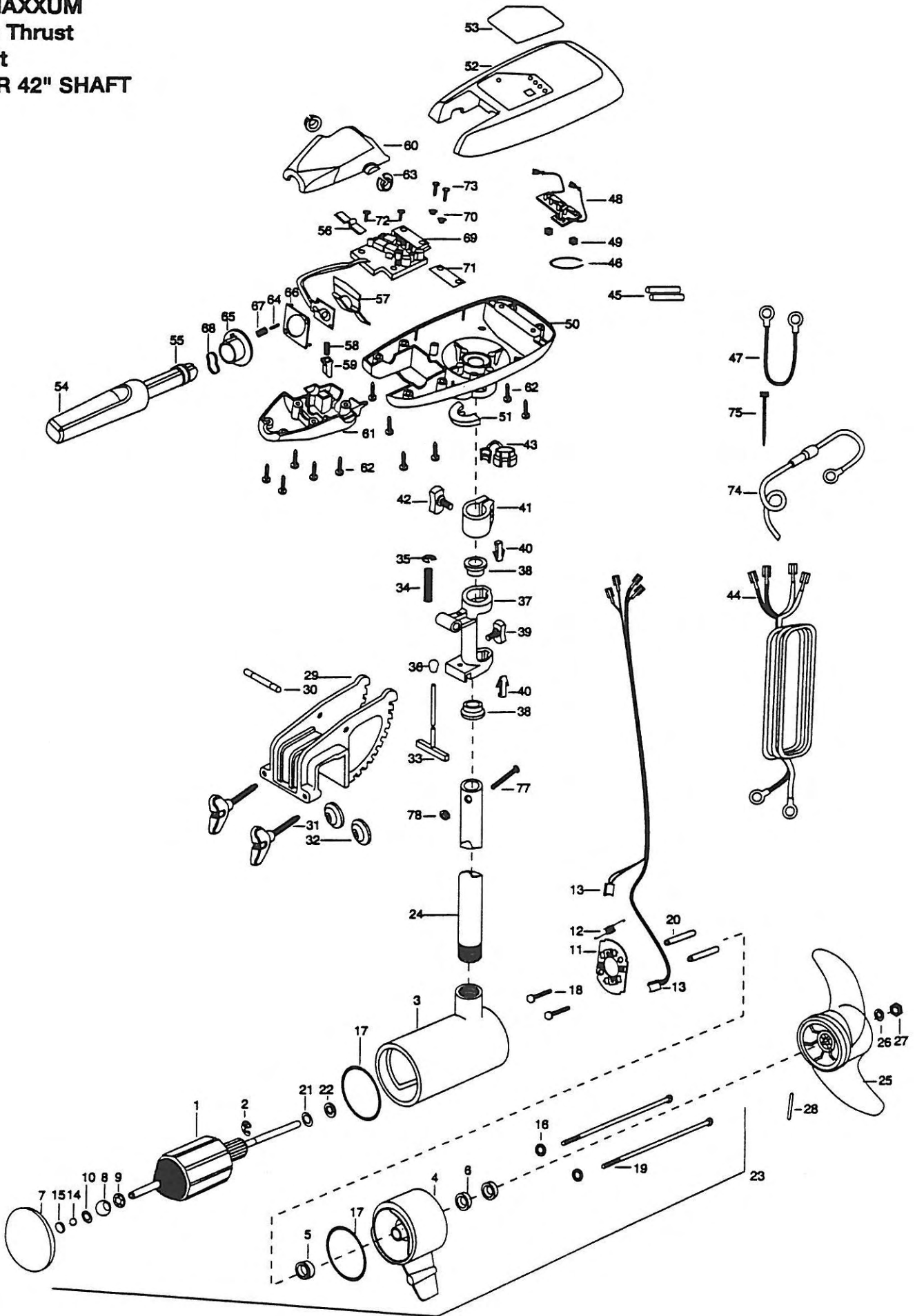


74T MAXXUM
74 lbs Thrust
24 Volt
36" OR 42" SHAFT



1	2-100-103	ARMATURE ASSEMBLY 24V 4 "	■	2991960	BRACKET/HINGE ASSEMBLY (29, 30-40)	58	2302745	SPRING- RELEASE BUTTON SS
2	788-040	RETAINING RING	*29	2031901	BRACKET	59	2303720	RELEASE BUTTON- HANDLE
3	431-160	HOUSING ASSEMBLY CENTER 4.0 TXT	■	2771901	BRACKET ASSEMBLY (29, 31-32)	60	2060409	HANDLE- TOP HALF
4	2-300-160	BRUSH END HOUSING ASSEMBLY	30	2010511	PIN-HINGE	61	2060415	HANDLE- LOWER HALF
5	144-017	BEARING- FLANGE	*31	2061300	SCREW-CLAMP [2.EA]	62	2303412	SCREW-6-20 X 5/8 SELF TAP [11.EA]
6	880-025	SEAL [2.EA]	*32	2011710	WASHER-CLAMP SCREW [2.EA]	63	2060005	BEARING- HANDLE PIVOT
7	2-400-160	PLAIN END HOUSING ASSEMBLY	33	2033600	T-BAR	64	2302600	PIN- ACTUATOR
8	144-021	BEARING- SPHERICAL	34	2012700	SPRING-T-BAR	65	2302850	ACTUATOR- CAM
9	784-025	BEARING RETAINER	35	2013000	E-RING	66	2302851	ACTUATOR- FWD/REV
10	991-040	WASHER- FELT	36	2010100	KNOB-TILT	67	2302740	SPRING- ACTUATOR
11	738-004	BRUSH PLATE- 4"	37	2031852	HINGE	68	2302741	SPRING- CAM
12	975-041	SPRING- TORSION [2.EA]	38	2037300	BUSHING-HINGE [2.EA]	69	2344006	CTRL BRD W/O LEAD- 24V
13	409072	BRUSH ASSEMBLY- BLACK	39	2011385	SCREW-TENSION W/NEW KNOB	70	2301710	WASHER- INSUL.TRANSFER BAR
	409071	BRUSH ASSEMBLY- RED	40	2062800	TENSION BLOCK [2.EA]	71	2365105	INSULATOR PAD
14	116-025	BALL- STEEL	41	2061520	COLLAR-DEPTH ENDURA	72	2372100	SCREW -8-18 X 5/8 SS [2.EA]
15	303-043	THRUST DISC- METAL	42	2011365	SCREW-COLLAR W/NEW KNOB	73	2301310	SCREW- 8-18 X 1/2 SS [2.EA]
16	701-009	O-RING- THRU BOLT[2.EA]	43	2332900	STRAIN RELIEF	74	2060310	GROUND WIRE- FUSED
17	701-043	O-RING [2.EA]	44	2330600	LEADWIRE- 10 GA. W/ RINGS	75	2256300	TIE WRAP 5.5"
18	830-027	SCREW- SELF THREAD 10-32 X 2 [2.EA]	45	2375400	SHRINK TUBE [2.EA]	77	2383407	SCREW 10-24 X 2
19	830-094	THRU BOLT 12 24 X 10.31 [2.EA]	46	2303001	RING- PIG	78	2383124	NUT HEX 10-24 NYLOCK
20	973-025	SPACER- BRUSHPLATE [2.EA]	47	2340610	CONNECTOR CABLE 12"			
21	990-051	WASHER- STEEL THRUST	48	2034036	BATTERY GAUGE- 24V. /4 LED			
22	990-052	WASHER- NYLATRON	49	2303120	SPEED NUT [2.EA])			
23	2317036	MOTOR ASSEMBLY 24V 4"	50	2082586	CONTROL BOX			
24	2032057	TUBE (36")	51	2061512	COLLAR- CONTROL BOX			
	2032053	TUBE (42")	52	2990294	COVER- CNTRL BOX/DECAL ASS'Y			
■	1378129	PROPELLER KIT	53	2345604	DECAL- COVER 74T			
25	2331120	PROPELLER	54	2990914	HANDLE ASSEMBLY W/O U-JOINT			
26	2091701	WASHER- PROP LARGE	55	2060000	BEARING- HANDLE [2.EA]			
27	2093101	NUT- PROP NYLOC	56	2302742	SPRING- DETENT OFF SS			
28	2092600	PIN- DRIVE	57	2302743	SPRING- DETENT HANDLE-TILT			

Max 74T

* This item is part of an assembly. This item cannot be sold separately due to machining and /or assembly that is required.

P/N 2034929 REV.G 10-00

Maxxum Transom Series Wiring Diagrams

Max74.
24-volt

