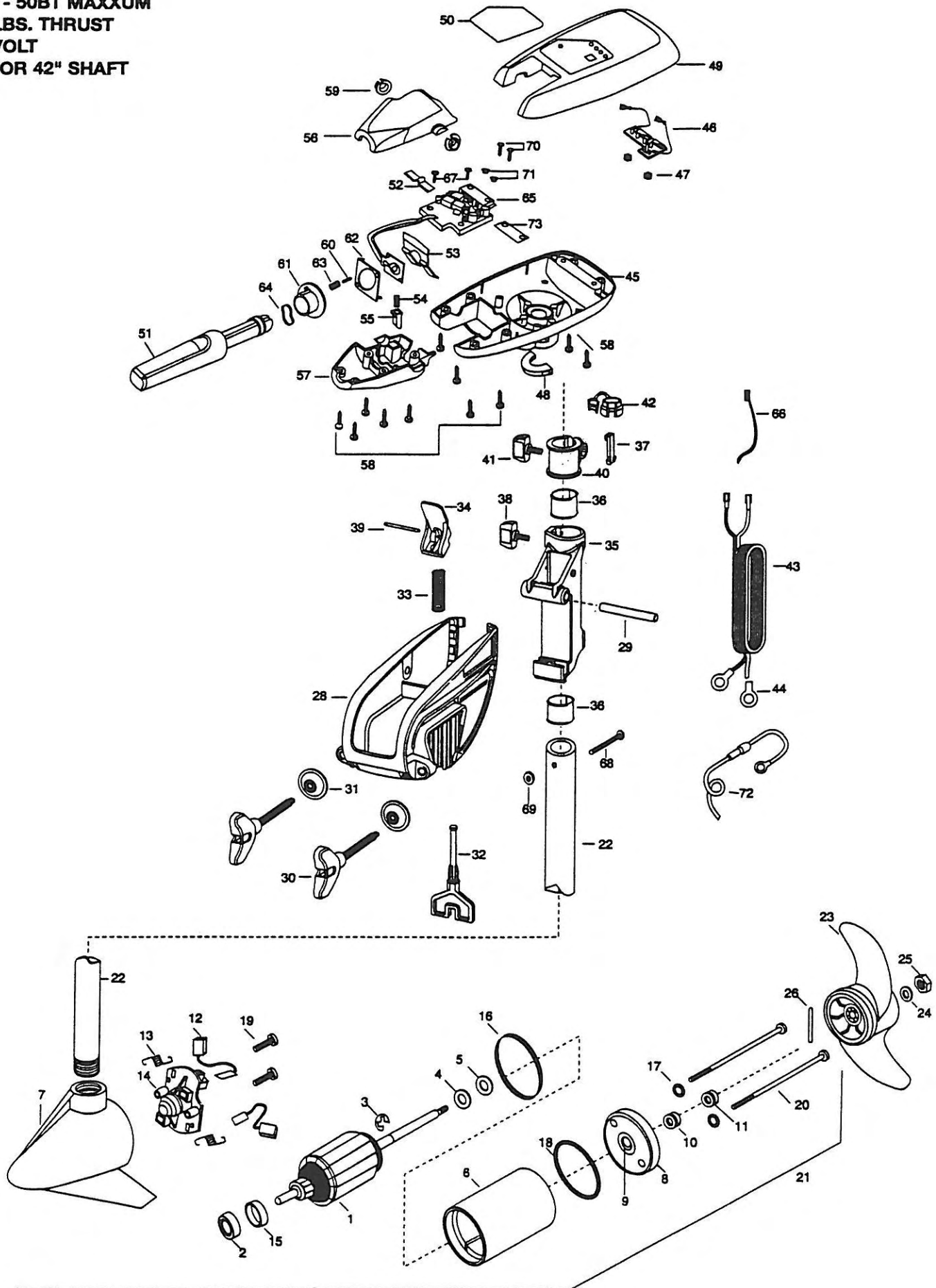


50T - 50BT MAXXUM
50 LBS. THRUST
12 VOLT
36" OR 42" SHAFT



1	2-100-098	ARMATURE ASSEMBLY 12V F/W	36	2037300	BUSHING-HINGE [2.EA]
2	140-010	BEARING -BALL	37	2062800	TENSION BLOCK-SNAP IN
3	788-015	RETAINING RING	38	2011385	SCREW-TENSION/NEW KNOB
4	990-067	WASHER -STEEL THRUST	39	2060515	PIN, TILT LEVER
5	990-070	WASHER -NYLATRON	40	2061520	COLLAR- DEPTH
6	431-101	HOUSING ASSEMBLY CENTER 3.62	41	2011365	SCREW- COLLAR/NEW KNOB
7	421-065	HOUSING BRUSH END ASSEMBLY 3.62 TXT	42	2052900	STRAIN RELIEF- C.CORD/SP.C
8	2-400-101	PLAIN END HOUSING ASSEMBLY	43	2090600	LEADWIRE (10 GA) RINGS
9	144-049	FLANGE BEARING (SERVICE ONLY)	44	2020700	TERMINAL RING, 3/8 [2.EA]
10	880-003	SEAL	45	2062585	CONTROL BOX, FW, .725 BORE,
11	880-006	SEAL W/SHIELD	46	2034035	BATTERY GAUGE-12 VOLTS
12	188-036	BRUSH ASSEMBLY	47	2303120	SPEED NUT [2.EA]
13	975-040	SPRING -TORSION [2.EA]	48	2061512	COLLAR-CTRL BOX (FRS-WTR)
14	738-036	BRUSH PLATE W/HOLDER	49	2990294	CTRL BOX CVR/DECAL ASSEMBLY
15	725-050	PAPER TUBE- BRUSH RETENTION	50	2065622	DECAL-COVER MAX 50/T
16	337-036	GASKET		2065623	DECAL-COVER MAX 50/BT
17	701-008	O-RING -THRU BOLT [2.EA]	51	2990914	HANDLE ASSEMBLY W/O U-JOINT
18	701-081	O-RING	52	2302742	SPRING-DETENT (OFF) SS
19	830-002	SCREW -SELF THREADED 8-32 X 1 [2.EA]	53	2302743	SPRING-DETENT (HANDLE-TILT)
20	830-042	THRU BOLT 10-32 X 8.83 (2 EA)	54	2302745	SPRING-RELEASE BUTTON SS
21	2099035	MOTOR ASSEMBLY -12V F/W VARS 47.5 LDS	55	2303720	RELEASE BUTTON-HANDLE
22	2032052	TUBE (COMPOSITE) 36"	56	2060409	HANDLE (TOP HALF) MAXIMIZE
	2032053	TUBE (COMPOSITE) 42"	57	2060415	HANDLE (LOWER HALF)
■	1378122	PROPELLER KIT -INCL. 23, 24, 25, 26	58	2303412	SCREW-6-20 X 5/8 SELF TAP [11.EA]
23	2091150	PROPELLER- WEEDLESS WEDGE	59	2060005	BEARING-HANDLE PIVOT [2.EA]
24	2151726	WASHER- 5/16 STD SS	60	2302600	PIN-ACTUATOR
25	2053101	NUT-PROP NYLOC	61	2302850	ACTUATOR-CAM
26	2092600	PIN-DRIVE SS	62	2302851	ACTUATOR-FWD/REV
■	2771811	BRACKET & HINGE ASSEMBLY	63	2302740	SPRING- (ACTUATOR)
■	2771910	BRACKET- ASSEMBLY- INCL. 28, 30, 31	64	2302741	SPRING-CAM (ZNC PLTD STEEL)
*28	2061910	BRACKET- PLASTIC	65	2194000	CONTROL BOARD ASSEMBLY
29	2060510	PIN-HINGE ENDURA	66	2256300	TIE WRAP-5.5 BLACK
*30	2061300	SCREW-CLAMP [2.EA]	67	2372100	SCREW-8-18 X 5/8 THD SS [2.EA]
*31	2011710	WASHER-CLAMP SCREW [2.EA]	68	2383407	SCREW-10-24 X 2 PPH ZINC
32	2063605	T-BAR, PLASTIC	69	2383124	NUT-10-24 NYLOCK ZINC
33	2062706	SPRING- (T-BAR)	70	2301310	SCREW-8-18 X 1/2 SS [2.EA]
34	2067200	LEVER- TILT (RED)	71	2301710	WASHER-INSUL. (TRANSF.BAR) [2.EA]
35	2061810	HINGE- PLASTIC	72	2060310	CONNECT*GROUND WIRE-FUSED

Max SOT & S0BT

* This item is part of an assembly. This item cannot be sold separately due to machining and /or assembly that is required.

Maxxum Transom Series Wiring Diagrams

40T, 50T, 50BT
12-volt

