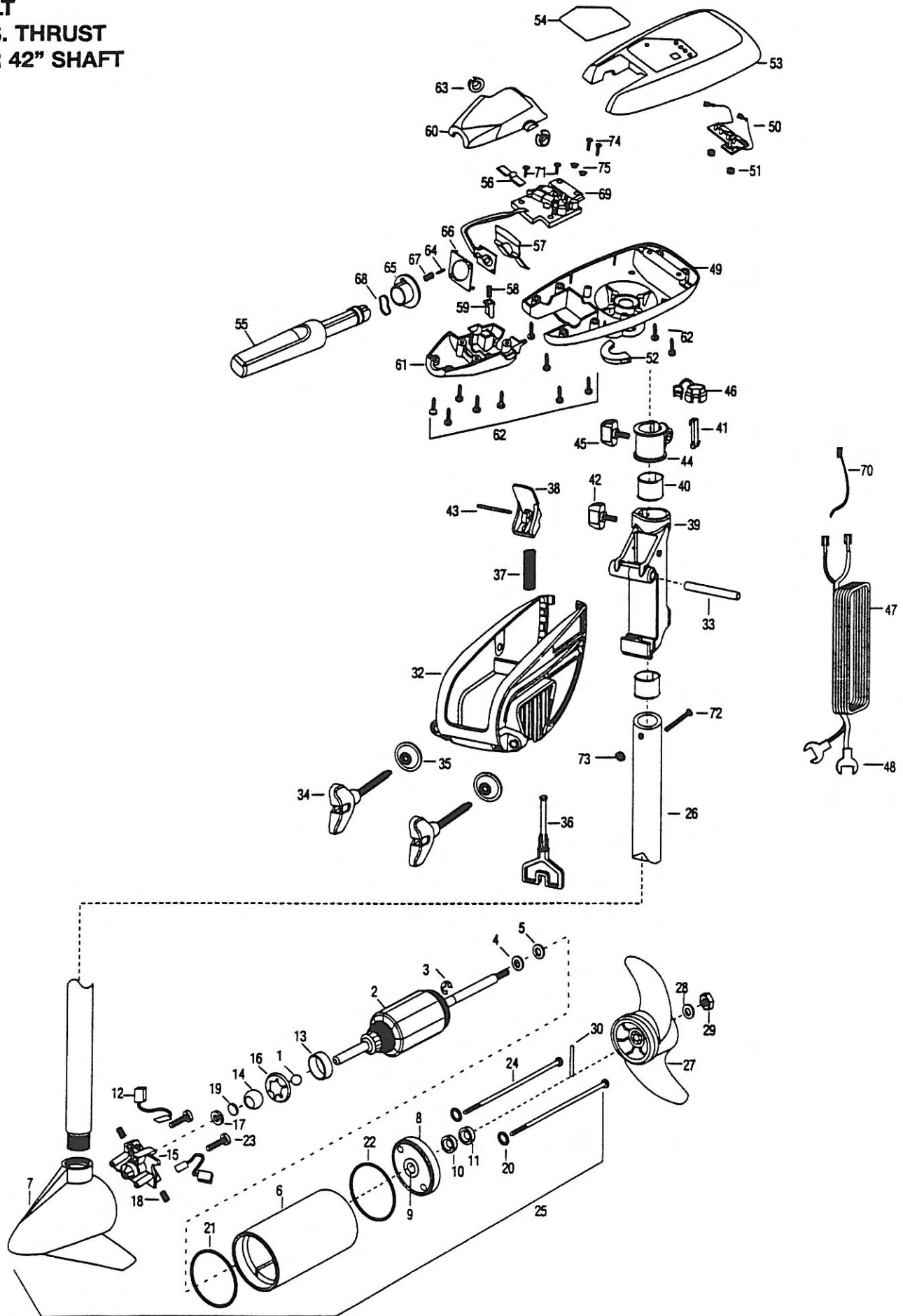


MAXXUM 40T
12 VOLT
40 LBS. THRUST
36" OR 42" SHAFT



1	116-020	BALL - STEEL	37	2062706	SPRING (T BAR)
2	2-100-001	ARM ASSY 12V 3.25 40*	38	2067200	LEVER TILT (RED)
3	788-015	RETAINING RING	39	2061810	HINGE PLASTIC
4	990-067	WASHER - STEEL THRUST	40	2037300	BUSHING HINGE [2.EA]
5	990-070	WASHER - NYLATRON	41	2062800	TENSION BLOCK "SNAP IN
6	431-079	HOUSING ASSEMBLY CENTER 3.25 TXT	42	2011385	SCREW TENSION/NEW KNOB
7	421-132	HOUSING BRUSH END 3.25 TXT	43	2060515	PIN, TILT LEVER
8	2-400-124	PLAIN END HOUSING ASSEMBLY	44	2061520	COLLAR DEPTH
9	144-049	BEARING - FLANGE	45	2011365	SCREW COLLAR/NEW KNOB
10	880-003	SEAL	46	2052900	STRAIN RELIEF C.CORD/SPC
11	880-006	SEAL WITH SHIELD	47	2050600	LEADWIRE-10 GA SPADE TERM
12	188-052	BRUSH ASSEMBLY [2 REQ'D]	48	2020702	SPADE TERMINAL 10 GA. [2.EA]
13	725-033	BRUSH RETENTION	49	2062585	CONTROL BOX, FW,.725 BORE, ZIN
14	144-050	BEARING - SPHERICAL	50	2034035	BATTERY GAUGE 12 VOLTS
15	737-031	BRUSH PLATE W/HOLDER 3.25 ASSEMBLY	51	2303120	SPEED NUT [2.EA]
		INCLUDES 6, 9, 10, 13	52	2061512	COLLAR CTRL BOX (FRS WTR)
16	784-036	BEARING RETAINER	53	2990294	CONTROL BOX COVER/DECAL ASSEMBLY
17	991-025	WASHER - FELT	54	2065621	DECAL COVER (MAX 40T TRANS)
18	975-032	SPRING - COMPRESSION	55	2990914	HANDLE ASSEMBLY W/O U-JOINT
19	303-039	THRUST DISC - METAL	56	2302742	SPRING DETENT (OFF)
20	701-007	O-RING [2. EA]	57	2302743	SPRING DETENT HANDLE TILT
21	701-041	O-RING	58	2302745	SPRING RELEASE BUTTON
22	701-039	O-RING MK406460	59	2303720	RELEASE BUTTON HANDLE
23	830-001	SCREW - SELF-THREAD 8-32 X 1.7 [2.EA]	60	2060409	HANDLE (TOP HALF) MAXIMIZE
24	830-078	THRU BOLT 8-32 X 8.96 [2. EA]	61	2060415	HANDLE (LOWER HALF)
25	2068051	MTR ASSEMBLY 12V 3.25 VARS TXT	62	2303412	SCREW 6 20 X 5/8 SELF TAP [11.EA]
26	2032052	TUBE (COMPOSITE) 36	63	2060005	BEARING HANDLE PIVOT [2.EA]
	2032053	TUBE (COMPOSITE) 42	64	2302600	PIN ACTUATOR
■	1378126	PROP- KIT INCLUDES 27, 28, 29, 30	65	2302850	ACTUATOR CAM
27	2061125	PROPELLER W/WEDGE	66	2302851	ACTUATOR FWD/REV
28	2151726	WASHER-5/16 STD SS	67	2302740	SPRING (ACTUATOR)
29	2053101	NUT-PROP NYLOC	68	2302741	SPRING CAM ZNC PLTD STEEL
30	2092600	PIN-DRIVE (95-4HP'S) (SS)	69	2194000	CONTROL BOARD ASSEMBLY
■	2771811	BRACKET & HINGE ASSEMBLY- INCLUDES 32- 43	70	2256300	TIE WRAP 5.5" BLACK
■	2771910	BRACKET ASSEMBLY- INCLUDES 32, 33, 34	71	2372100	SCREW 8 18 X 5/8 THD SS [2.EA]
*32	2061910	BRACKET-PLASTIC	72	2383407	SCREW 10 24 X 2
33	2060510	PIN-HINGE	73	2383124	NUT 10-24 NYLOCK ZINC
■	2881300	SCREW-CLAMP, WASHER, RETAINER KIT [2.EA]	74	2301310	SCREW 8 18 X 1/2 SS 2. EA
*34	2061300	SCREW-CLAMP [2.EA]	75	2301710	WASHER INSUL.(TRANSF.BAR) [2.EA]
*35	2011710	WASHER-CLAMP SCREW 1.5 OD [2.EA]			
36	2063605	T BAR, PLASTIC			

Max 40T

* This item is part of an assembly. This item cannot be sold separately due to machining and /or assembly that is required.

Maxxum Transom Series Wiring Diagrams

40T, 50T, 50BT
12-volt

