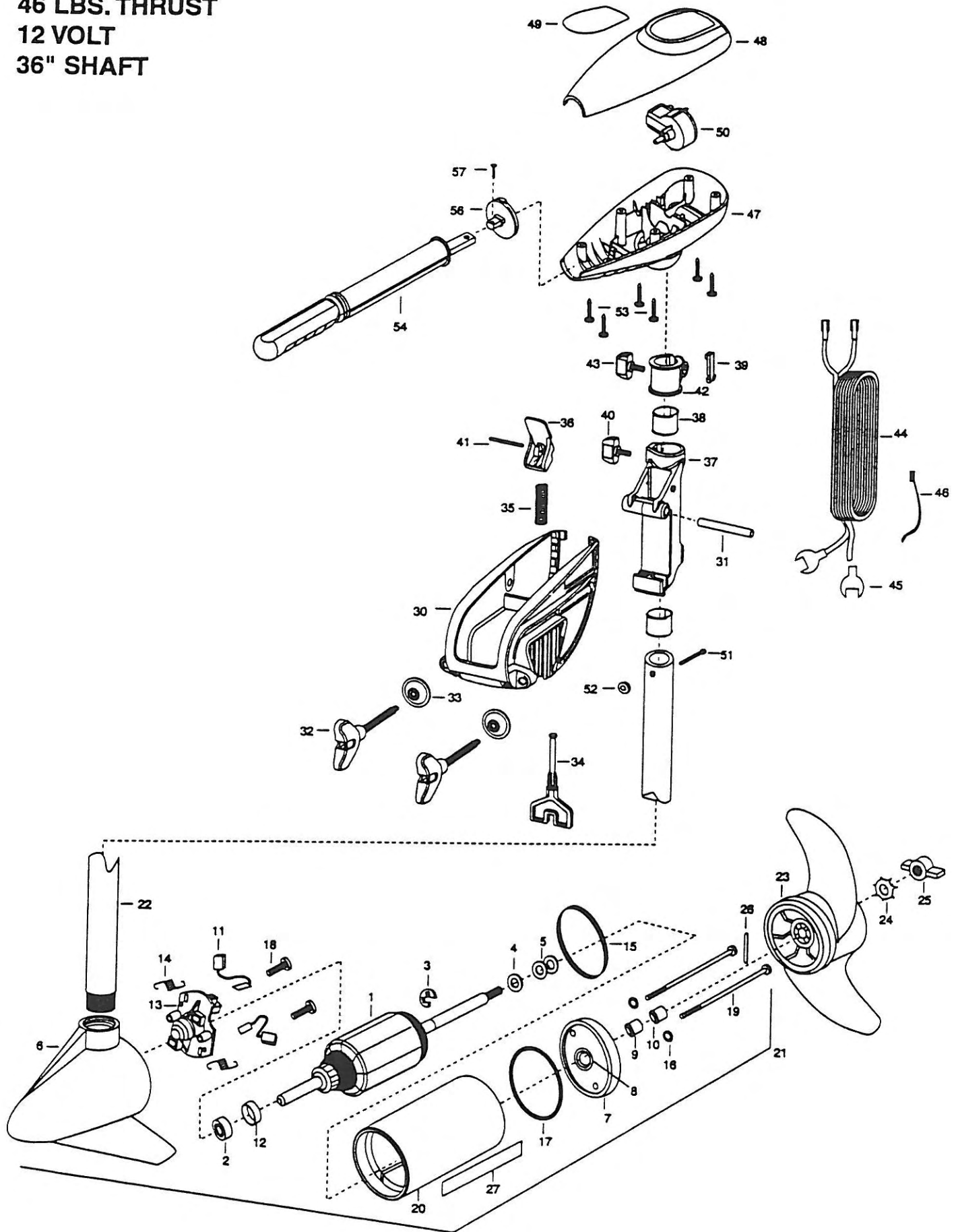


ENDURA PRO 46
46 LBS. THRUST
12 VOLT
36" SHAFT



- 1 2-100-095 ARMATURE ASSEMBLY 12V 3.62
- 2 140-010 BEARING- BALL
- 3 788-015 RETAINING RING
- 4 990-067 WASHER- STEEL THRUST
- 5 990-070 WASHER- NYLATRON [2.EA]
- 6 2-300-196 BRUSH END HOUSING ASSEMBLY 36"
- 7 2-400-101 PLAIN END HOUSING ASSEMBLY
- 8 144-049 BEARING- FLANGE, SERVICE ONLY
- 9 880-003 SEAL
- 10 880-006 SEAL WITH SHIELD
- 11 188-036 BRUSH ASSEMBLY
- 12 725-050 BRUSH RETENTION- PAPER TUBE
- 13 738-036 BRUSH PLATE WITH HOLDER
- 14 975-040 SPRING- TORSION
- 15 337-036 GASKET
- 16 701-008 O-RING [2.EA]
- 17 701-081 O-RING
- 18 830-007 SCREW- # 8-32 [2.EA]
- 19 830-042 THRU BOLT 10-32 X 8.83 [2.EA]
- 20 431-101 HOUSING ASSEMBLY- CENTER
- 21 2099061 MOTOR ASSEMBLY 12V 3.62 5SPC TXT 47
- 22 2032052 TUBE COMPOSITE 36"
- 1378122 PROPELLER- KIT INCLUDES 23, 24, 25, 26
- *23 2091150 PROP- W. WEDGE
- *24 2051700 LOCKWASHER-PROP (MEDIUM)
- *25 2053100 NUT-PROP (MEDIUM)
- *26 2092600 PIN-DRIVE
- 27 2006603 DECAL- LOWER UNIT WHITE

- 2771811 BRACKET & HINGE ASSEMBLY (INCLUDES- 30—41)
- 2771910 BRACKET ASSEMBLY (INCLUDES- 30, 32, 33)
- *30 2061910 BRACKET ENDURA
- 31 2060510 PIN-HINGE ENDURA
- 2881300 SCREW-CLAMP, WASHER, RETAINER [2.EA] KIT
- *32 2061300 SCREW-CLAMP ENDURA [2.EA]
- *33 2011710 WASHER-CLAMP SCREW 1.5OD [2.EA]
- 34 2063605 T-BAR, PLASTIC ENDURA
- 35 2062706 SPRING- (T - BAR) ENDURA
- 36 2067200 LEVER-TILT (RED)
- 37 2061810 HINGE-PLASTIC
- 38 2037300 BUSHING-HINGE [2.EA]
- 39 2062800 TENSION BLOCK-SNAP IN
- 40 2011385 SCREW, TENSION/KNOB
- 41 2060515 PIN, TILT LEVER
- 42 2061520 COLLAR-DEPTH ENDURA
- 43 2011365 SCREW-COLLAR/NEW KNOB
- 44 2050609 LEADWIRE (10 GA) SPADE TERM
- 45 2020702 SPADE TERMINAL 10GA. [2.EA]
- 46 2026300 TIE WRAP
- 47 2062510 CONTROL BOX ENDURA
- 48 2060211 CONTROL BOX COVER- BLACK
- 49 2065629 DECAL COVER- ENDURA PRO 4
- 50 2064023 SWITCH-FWD/REV 5 SP
- 51 2033400 SCREW-10-24 X 1-3/4
- 52 2013110 NUT-10-24 HEX
- 53 2012100 SCREW- 8-18 X 5/8 [6.EA]
- 54 2990901 HANDLE ASSEMBLY 5 SPEED
- 56 2060405 PIVOT, HANDLE
- 57 2012102 SCREW

* This item is part of an assembly. This item cannot be sold separately due to machining and /or assembly that is required.

Endura Transom Series

(includes: Endura, Power Max, Endura Pro, and Spider 50)

Wiring Diagrams

