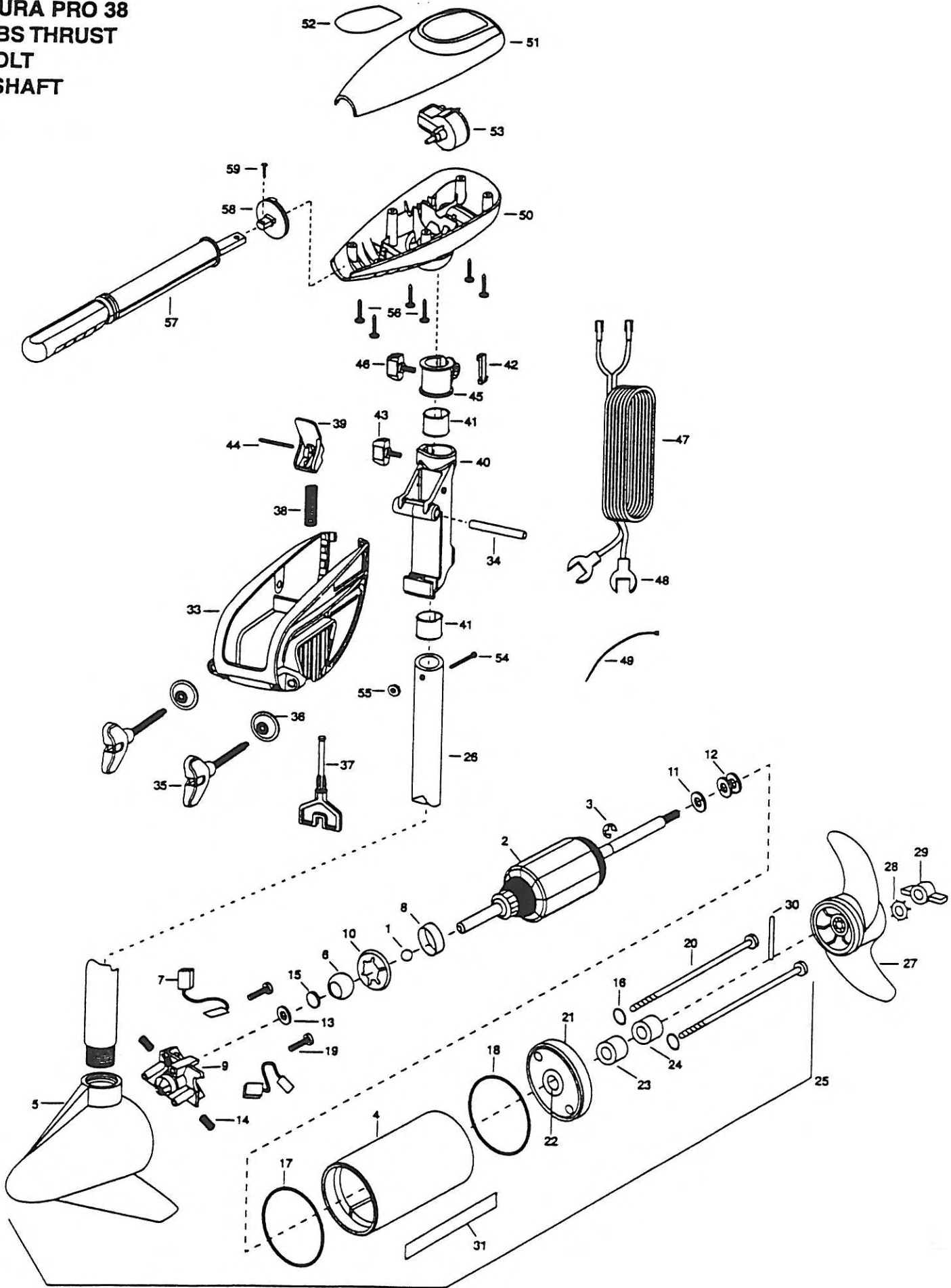


ENDURA PRO 38
38 LBS THRUST
12 VOLT
36" SHAFT



1	116-020	BALL- STEEL				
2	2-100-178	ARMATURE ASSEMBLY 12V 3.25		31	2006603	DECAL- LOWER UNIT WHITE
3	788-015	RETAINING RING	■	2771810		BRACKET & HINGE ASSY (INCLUDES- 33-45)
4	431-079	HOUSING ASSEMBLY CENTER 3.25 TXT	■	2771910		BRACKET ASSEMBLY (INCLUDES- 33, 35, 36)
5	2-300-132	BRUSH END HOUSING ASSEMBLY		*33	2061910	BRACKET-
6	144-050	BEARING- SPHERICAL		34	2060510	PIN-HINGE
7	188-052	BRUSH ASSEMBLY		35	2881300	CLAMP SCREW, WASHER, RETAINER KIT [2.EA]
8	725-033	BRUSH RETENTION	■	2061300		SCREW-CLAMP (2 REQ'D)
9	737-031	BRUSH PLATE W/HOLDER 3.25 ASSEMBLY		*36	2011710	WASHER-CLAMP SCREW [2.EA]
		INCLUDES 6, 9, 10, 13		*37	2063605	T-BAR, PLASTIC
10	784-036	BEARING RETAINER		38	2062706	SPRING- (T-BAR)
11	990-067	WASHER- STEEL		39	2067200	LEVER-TILT (RED)
12	990-070	WASHER- NYLATRON [2.EA]		40	2061810	HINGE-PLASTIC
13	991-025	WASHER- FELT		41	2037300	BUSHING-HINGE [2.EA]
14	975-032	SPRING- COMPRESSION		42	2062800	TENSION BLOCK-SNAP IN
15	303-039	THRUST DISC- METAL		43	2011385	SCREW, TENSION/KNOB
16	701-007	O-RING [2.EA]		44	2060515	PIN, TILT LEVER
17	701-039	O-RING MK406460		45	2061520	COLLAR-DEPTH ENDURA
18	701-041	O-RING		46	2011365	SCREW-COLLAR/NEW KNOB
19	830-001	SCREW- SELF THREAD 8-32 X 1.7 [2.EA]		47	2050609	LEADWIRE- 10 GA SPADE TERM
20	830-078	THRU BOLT 8-32 X 8.96 [2.EA]		48	2020702	TERMINAL-SPADE 10GA. [2.EA]
21	2-400-127	HOUSING- PLAIN END PLAST ASSEMBLY		49	2256300	TIE WRAP
		INCLUDES 21, 22, 23, 24		50	2062510	CONTROL BOX ENDURA
22	144-049	BEARING- FLANGE		51	2060211	CONTROL BOX COVER BLACK
23	880-003	SEAL		52	2065628	DECAL COVER ENDURA PRO 3
24	880-006	SEAL W/SHIELD		53	2064023	SWITCH-FWD/REV 5 SP
25	2069041	MOTOR ASSEMBLY 12V 3.25 5SPC TXT		54	2033401	SCREW-10-24 X 1-3/4 SHOULDER
26	2032046	TUBE, COMPOSITE 36"		55	2013110	NUT-10-24 HEX ZCP
27	1378126	PROP KIT INCL. 27, 28, 29, 30		56	2012100	SCREW-8-18 X 5/8 THD CUT (6 REQ'D)
28	2051700	LOCKWASHER-PROP (MEDIUM)		57	2990901	HANDLE ASSEMBLY 5 SPEED
29	2053100	NUT-PROP (MEDIUM)		58	2060405	PIVOT, HANDLE
30	2092600	PIN-DRIVE		59	2012102	SCREW

* This item is part of an assembly. This item cannot be sold separately due to machining and /or assembly that is required.

Endura Transom Series

(includes: Endura, Power Max, Endura Pro, and Spider 50)

Wiring Diagrams

