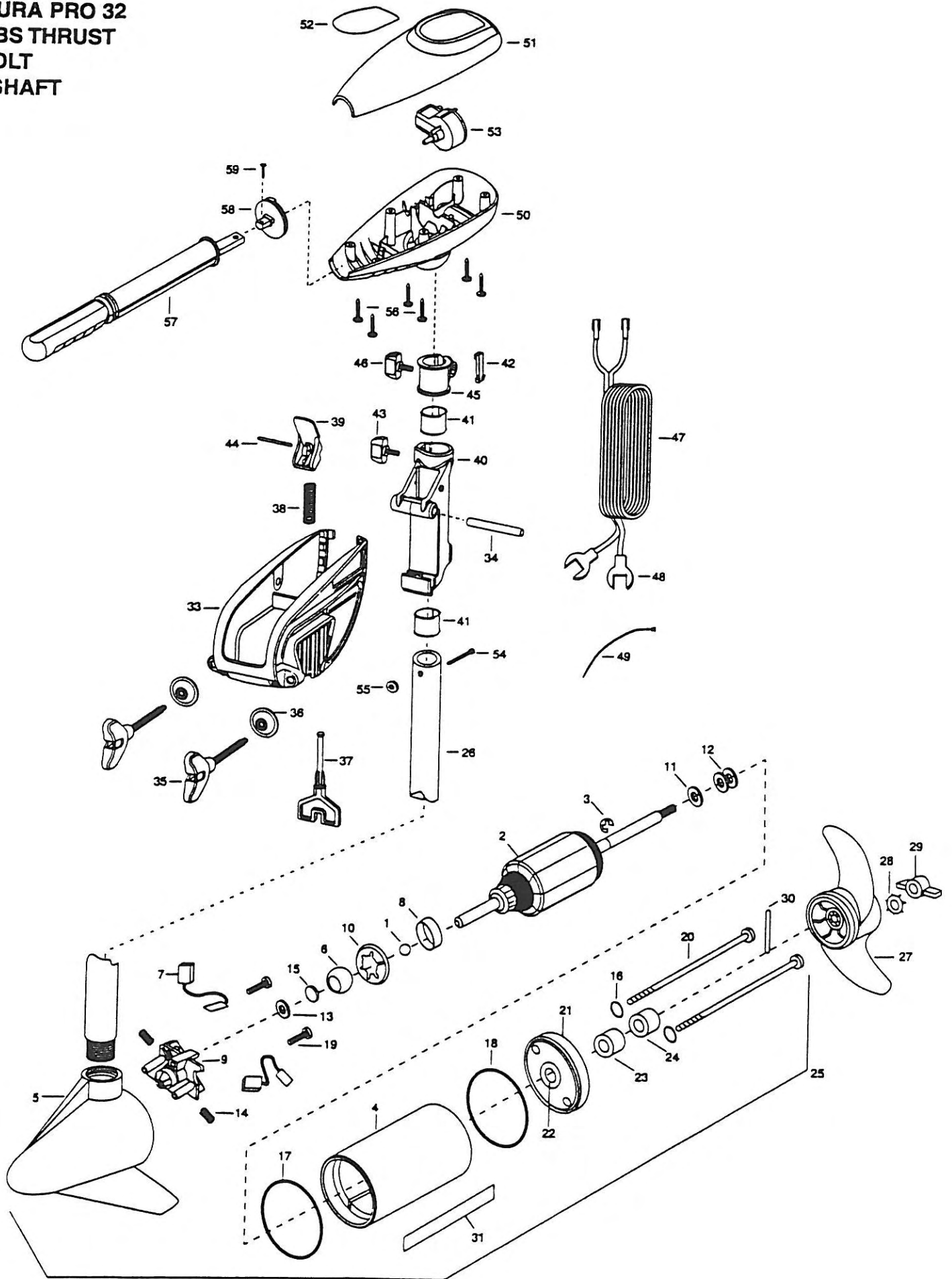


ENDURA PRO 32
32 LBS THRUST
12 VOLT
30" SHAFT



1	116-020	BALL - STEEL
2	2-100-077	ARMATURE ASSEMBLY 12V 3.25
3	788-015	RETAINING RING
4	2-200-177	CENTER HOUSING FIELD ASSEMBLY 3.25 TXT
5	2-300-142	BRUSH END HOUSING ASSEMBLY
6	144-050	BEARING - SPHERICAL
7	188-052	BRUSH ASSEMBLY
8	725-033	BRUSH RETENTION
9	737-031	BRUSH PLATE W/HOLDER 3.25 ASSEMBLY INCLUDES 6, 9, 10, 13
10	784-036	BEARING RETAINER
11	990-067	WASHER - STEEL
12	990-070	WASHER - NYLATRON [2.EA]
13	991-025	WASHER - FELT
14	975-032	SPRING - COMPRESSION
15	303-039	THRUST DISC - METAL
16	701-007	O-RING [2.EA]
17	701-039	O-RING MK406460
18	701-041	O-RING
19	830-001	SCREW - SELF-THREAD 8 - 32 X 1.7 [2.EA]
20	830-078	THRU-BOLT 8 - 32 X 8.96 [2.EA]
21	423-127	HOUSING - PLAIN END PLAST ASSEMBLY INCLUDES 21, 22, 23, 24
22	144-049	BEARING - FLANGE
23	880-003	SEAL
24	880-006	SEAL W/SHIELD
25	2069060	MOTOR ASSEMBLY 12V 3.25 5SPC TXT
26	2032045	TUBE, COMPOSITE 30*
27	1378126	PROP KIT INCL. 27, 28, 29, 30
28	2051700	LOCKWASHER - PROP (MEDIUM)
29	2053100	NUT - PROP (MEDIUM)

30	2092600	PIN - DRIVE
31	2006603	DECAL - LOWER UNIT WHITE
	■ 2771810	BRACKET & HINGE ASSY (INCLUDES - 33-45)
	■ 2771910	BRACKET ASSEMBLY (INCLUDES - 33, 35, 36)
*33	2061910	BRACKET
34	2060510	PIN - HINGE
	■ 2881300	SCREW CLAMP, WASHER, RETAINER KIT [2.EA]
*35	2061300	SCREW - CLAMP [2 REQ'D]
*36	2011710	WASHER - CLAMP SCREW [2.EA]
37	2063605	T-BAR, PLASTIC
38	2062706	SPRING - (T-BAR)
39	2067200	LEVER - TILT (RED)
40	2061810	HINGE - PLASTIC
41	2037300	BUSHING - HINGE [2.EA]
42	2062800	TENSION BLOCK - SNAP IN
43	2011385	SCREW, TENSION/KNOB
44	2060515	PIN, TILT LEVER
45	2061520	COLLAR - DEPTH ENDURA
46	2011365	SCREW - COLLAR/NEW KNOB
47	2050605	LEADWIRE - 14 GA SPADE TERM
48	2020703	TERMINAL - SPADE 14GA. [2.EA]
49	2256300	TIE WRAP
50	2062510	CONTROL BOX ENDURA
51	2060211	CONTROL BOX COVER BLACK
52	2065627	DECAL COVER ENDURA PRO 3
53	2064023	SWITCH - FWD/REV 5 SP
54	2033401	SCREW - 10 - 24 X 1-3/4 SHOULDER
55	2013110	NUT - 10 - 24 HEX ZCP
56	2012100	SCREW - 8 - 18 X 5/8 THD CUT (6 REQ'D)
57	2990901	HANDLE ASSEMBLY 5 SPEED
58	2060405	PIVOT, HANDLE
59	2012102	SCREW

* This item is part of an assembly. This item cannot be sold separately due to machining and /or assembly that is required.

Endura Transom Series

(includes: Endura, Power Max, Endura Pro, and Spider 50)

Wiring Diagrams

