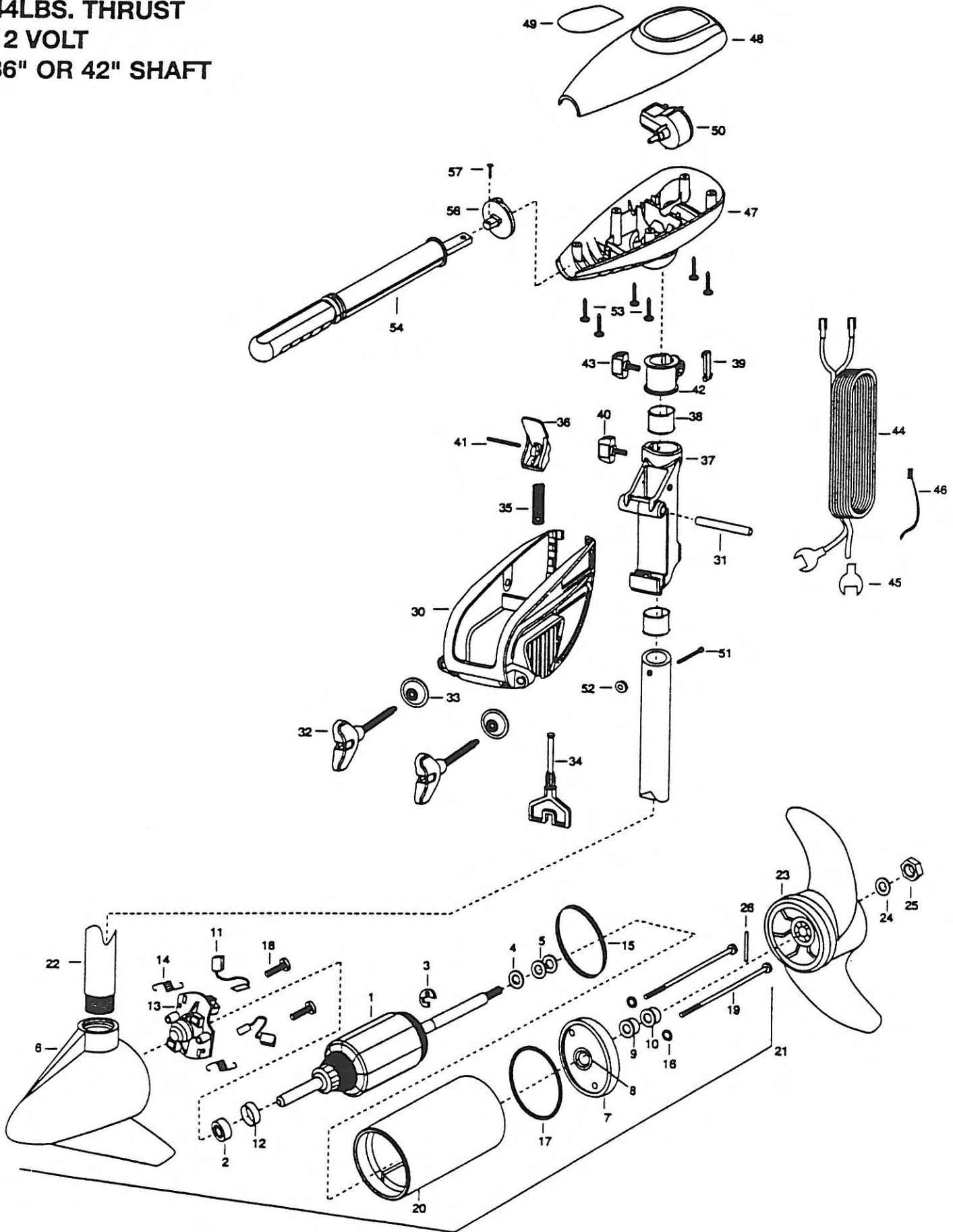


**ENDURA 44**  
**44LBS. THRUST**  
**12 VOLT**  
**36" OR 42" SHAFT**



- 1 2-100-095 ARMATURE ASSEMBLY 12V 3.62 5SPC TEXT 47
- 2 140-010 BEARING- BALL
- 3 788-015 RETAINING RING
- 4 990-067 WASHER- STEEL THRUST
- 5 990-070 WASHER- NYLATRON [2.EA]
- 6 2-300-196 BRUSH END HOUSING ASSEMBLY
- 7 2-400-101 PLAIN END HOUSING ASSEMBLY
- 8 144-049 BEARING- FLANGE ,SERVICE ONLY
- 9 880-003 SEAL
- 10 880-006 SEAL WITH SHIELD
- 11 188-036 BRUSH ASSEMBLY
- 12 725-050 BRUSH RETENTION
- 13 738-036 BRUSH PLATE WITH HOLDER
- 14 975-040 SPRING- TORSION
- 15 337-036 GASKET
- 16 701-008 O-RING [2.EA]
- 17 701-081 O-RING
- 18 830-002 SCREW- SELF THREAD 8-32X1 [2.EA]
- 19 830-042 THRU BOLT 10-32 X 8.83 [2EA]
- 20 431-101 CENTER HOUSING FIELD ASSEMBLY
- 21 2099061 MOTOR ASSEMBLY 12V 3.625 5SPC TXT 36"
- 2099062 MOTOR ASSEMBLY 12V 3.625 5SPC TXT 42"
- 22 2032052 TUBE COMPOSITE 36"
- 2032053 TUBE COMPOSITE 42"
- 1378122 PROPELLER KIT INCL.23,24,25,26
- 23 2091150 PROPELLER W/WEDGE
- 24 2151726 WASHER- 5/16 STD
- 25 2053101 NUT-PROP NYLOC 5/16 SS
- 26 2092600 PIN-DRIVE

- 2771811 BRACKET & HINGE ASSEMBLY (INCLUDES- 30—41)
- 2771910 BRACKET ASSEMBLY (INCLUDES- 30,32,33)
- \*30 2061910 BRACKET
- 31 2060510 PIN-HINGE
- 2881300 SCREW-CLAMP, WASHER, RETAINER KIT [2.EA]
- \*32 2061300 SCREW-CLAMP [2.EA]
- \*33 2011710 WASHER-CLAMP SCREW [2.EA]
- 34 2063605 T-BAR, PLASTIC
- 35 2062706 SPRING- (T-BAR)
- 36 2067200 LEVER-TILT (RED
- 37 2061810 HINGE-PLASTIC
- 38 2037300 BUSHING-HINGE [2.EA]
- 39 2062800 TENSION BLOCK-SNAP IN
- 40 2011385 SCREW, TENSION/KNOB
- 41 2060515 PIN, TILT LEVER
- 42 2061520 COLLAR-DEPTH
- 43 2011365 SCREW-COLLAR/NEW KNOB
- 44 2050609 LEADWIRE 10 GA SPADE TERM
- 45 2020702 SPADE TERMINAL 10GA. [2.EA]
- 46 2056300 TIE WRAP [2.EA]
- 47 2062510 CONTROL BOX
- 48 2060209 CONTROL BOX COVER-ENDURA
- 49 2065536 DECAL COVER ENDURA 44
- 50 2064023 SWITCH-FWD/REV 5 SP
- 51 2033400 SCREW-10-24 X 1-3/4
- 52 2013110 NUT-10-24 HEX
- 53 2012100 SCREW-8-18 X 5/8 [6.EA]
- 54 2990901 HANDLE ASSEMBLY 5 SPEED
- 56 2060405 PIVOT, HANDLE
- 57 2012102 SCREW

\* This item is part of an assembly. This item cannot be sold separately due to machining and /or assembly that is required.

# Endura Transom Series

(includes: Endura, Power Max, Endura Pro, and Spider 50)

## Wiring Diagrams

