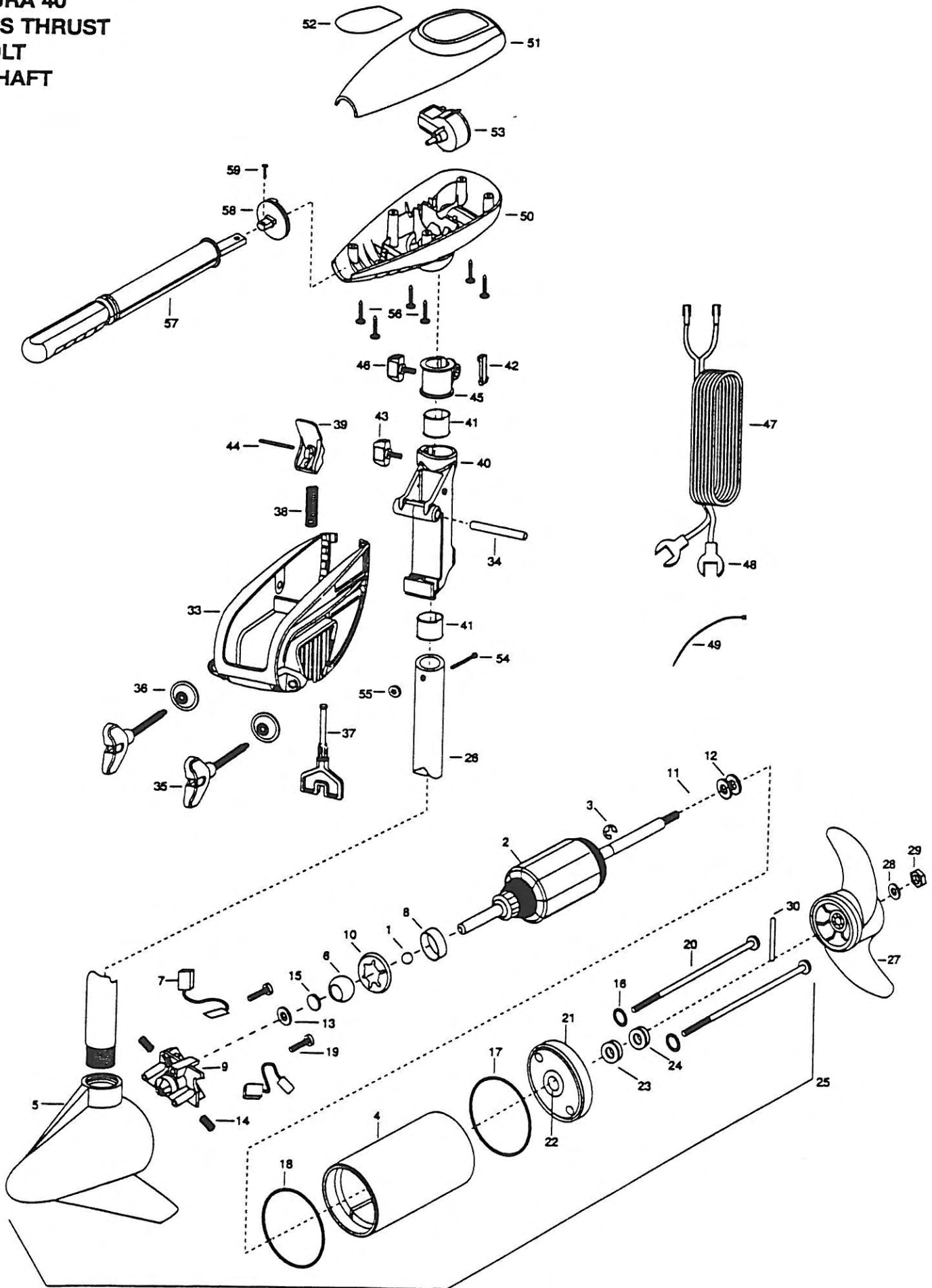


ENDURA 40
40 LBS THRUST
12 VOLT
36" SHAFT



1 118-020 BALL- STEEL
 2 2-100-178 ARMATURE ASSEMBLY 12V 3.25
 3 788-015 RETAINING RING
 4 431-079 HOUSING ASSEMBLY CENTER 3.25 TXT
 5 2-300-132 BRUSH END HOUSING ASSEMBLY
 6 144-050 BEARING- SPHERICAL
 7 188-052 BRUSH ASSEMBLY
 8 725-033 BRUSH RETENTION
 9 737-031 BRUSH PLATE W/HOLDER 3.25 ASSEMBLY
 INCLUDES 6, 8, 10, 13
 10 784-036 BEARING RETAINER
 11 990-067 WASHER- STEEL
 12 990-070 WASHER- NYLATRON [2.EA]
 13 991-025 WASHER- FELT
 14 975-032 SPRING- COMPRESSION
 15 303-039 THRUST DISC- METAL
 16 701-007 O-RING [2.EA]
 17 701-039 O-RING MK406460
 18 701-041 O-RING
 19 830-001 SCREW- SELF THREAD 8-32 X 1.7 [2.EA]
 20 830-078 THRU BOLT 8-32 X 8.96 [2.EA]
 21 423-127 HOUSING- PLAIN END PLAST
 22 144-049 BEARING- FLANGE
 23 880-003 SEAL
 24 880-006 SEAL W/SHIELD
 25 2069041 MOTOR ASSEMBLY 12V 3.25 5SPC TXT
 26 2032046 TUBE- COMPOSITE 36"
 ■ 1378128 PROP KIT INCL. 27, 28, 29, 30
 *27 2061125 PROPELLER W/WEDGE
 *28 2151726 WASHER- 5/16 STD SS
 *29 2053101 NUT-PROP NYLOC
 *30 2092600 PIN-DRIVE

■ 2771811 BRACKET & HINGE ASSY (INCLUDES- 33—44)
 ■ 2771910 BRACKET ASSEMBLY (INCLUDES- 33, 35, 36)
 *33 2061910 BRACKET
 34 2060510 PIN- HINGE
 ■ 2881300 SCREW-CLAMP, WASHER, RETAINER KIT [2.EA]
 *35 2061300 SCREW-CLAMP (2 REQ'D)
 *36 2011710 WASHER-CLAMP SCREW [2.EA]
 37 2063605 T-BAR, PLASTIC
 38 2062706 SPRING- (T-BAR)
 39 2067200 LEVER-TILT (RED)
 40 2061810 HINGE-PLASTIC
 41 2037300 BUSHING-HINGE [2.EA]
 42 2062800 TENSION BLOCK-SNAP IN
 43 2011385 SCREW, TENSION/KNOB
 44 2060515 PIN, TILT LEVER
 45 2061520 COLLAR-DEPTH ENDURA
 46 2011365 SCREW-COLLAR/NEW KNOB
 47 2050609 LEADWIRE- 10 GA SPADE TERM
 48 2020702 TERMINAL-SPADE 10 GA. [2.EA]
 49 2256300 TIE WRAP
 50 2062510 CONTROL BOX ENDURA
 51 2060209 CONTROL BOX COVER ENDURA
 52 2065535 DECAL- COVER ENDURA 40
 53 2064023 SWITCH- FWD/REV 5 SP
 54 2033401 SCREW- 10-24 X 1-3/4 SHOULDER
 55 2013110 NUT- 10-24 HEX ZCP
 56 2012100 SCREW- 8-18 X 5/8 THD CUT (6 REQ'D)
 57 2990901 HANDLE ASSEMBLY 5 SPEED
 58 2060405 PIVOT, HANDLE
 59 2012102 SCREW

* This item is part of an assembly. This item cannot be sold separately due to machining and /or assembly that is required.

Endura Transom Series

(includes: Endura, Power Max, Endura Pro, and Spider 50)

Wiring Diagrams

