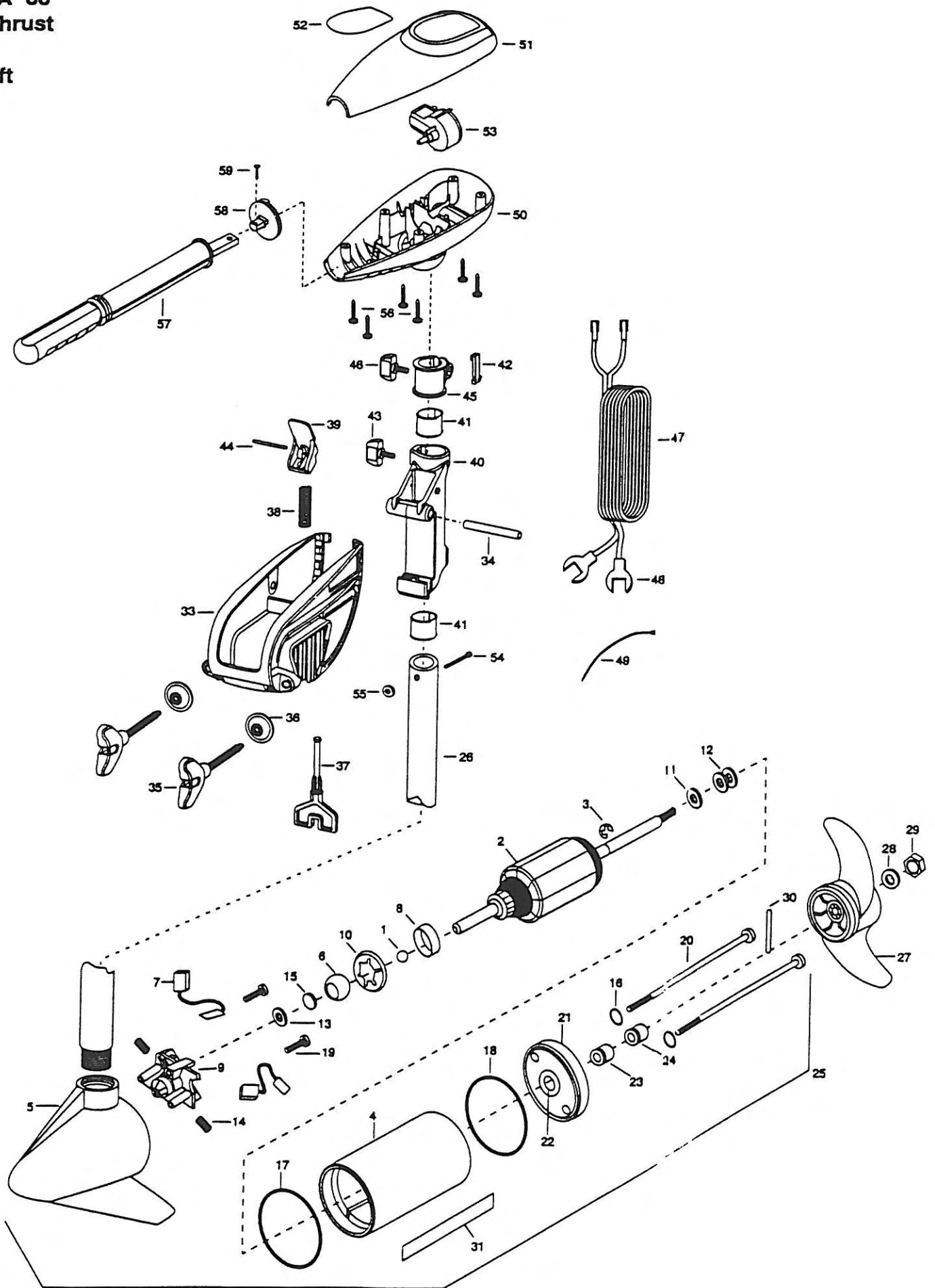


ENDURA 38
38 lbs Thrust
12 Volt
36" Shaft



1 116-020 BALL - STEEL
 2 2-100-178 ARM ASSEMBLY 12V 3.25
 3 788-015 RETAINING RING
 4 431-079 HOUSING ASSEMBLY CENTER 3.25 TXT
 5 2-300-132 BRUSH END HOUSING ASSEMBLY
 6 144-050 BEARING - SPHERICAL
 7 188-052 BRUSH ASSEMBLY [2.EA]
 8 725-033 BRUSH RETENTION
 9 737-031 BRUSH PLATE W/HOLDER 3.25 ASSEMBLY
 INCLUDES - 6, 9, 10, 13
 10 784-036 BEARING RETAINER
 11 990-067 WASHER - STEEL THRUST
 12 990-070 WASHER - NYLATRON [2.EA]
 13 891-025 WASHER - FELT
 14 975-032 SPRING - COMPRESSION
 15 303-039 THRUST DISC - METAL
 16 701-007 O-RING [2.EA]
 17 701-041 O-RING
 18 701-039 O-RING MK406460
 19 830-001 SCREW - SELF-THREAD 8 - 32 X 1.7 [2.EA]
 20 830-078 THRU BOLT 8 - 32 X 8.98 [2.EA]
 21 2-400-127 PLAIN END HOUSING ASSEMBLY
 22 144-099 FLANGE BEARING (SERVICE ONLY)
 23 880-003 SEAL
 24 880-006 SEAL WITH SHIELD
 25 2069041 MOTOR ASSEMBLY 12V 3.25 5SPC TXT 47
 26 2032046 TUBE, COMPOSITE 38*
 ■ 1378126 PROP - KIT
 *27 2061125 PROP - 65 W.WEDGE
 *28 2151726 WASHER - PROP (MEDIUM)
 *29 2053101 NUT - PROP NYLOC
 *30 2092600 PIN - DRIVE
 31 2006603 DECAL - LOWER UNIT WHITE

■ 2771810 BRACKET & HINGE ASSEMBLY
 (INCLUDES - 33-44)
 ■ 2771910 BRACKET ASSEMBLY (INCLUDES - 33, 35, 36)
 *33 2061910 BRACKET - ENDURA
 34 2060510 PIN - HINGE ENDURA
 ■ 2881300 SCREW - CLAMP, WASHER, RETAINER [2.EA] KIT
 *35 2061300 SCREW - CLAMP ENDURA [2.EA]
 *36 2011710 WASHER - CLAMP SCREW ENDURA [2.EA]
 37 2063605 T-BAR, PLASTIC ENDURA
 38 2062706 SPRING - (T-BAR) ENDURA
 39 2067200 LEVER - TILT RED ENDURA
 40 2061810 HINGE - PLASTIC ENDURA
 41 2037300 BUSHING - HINGE [2.EA]
 42 2062800 TENSION BLOCK - SNAP IN
 43 2011385 SCREW, TENSION/KNOB
 44 2060515 PIN, TILT LEVER
 45 2061520 COLLAR - DEPTH
 46 2011365 SCREW - COLLAR/NEW KNOB
 47 2050609 LEADWIRE - 10 GA SPADE TERM
 48 2020702 SPADE TERMINAL 10GA [2.EA]
 49 2256300 TIE WRAP
 50 2062510 CONTROL BOX
 51 2060209 CONTROL BOX COVER
 52 2065529 DECAL - COVER ENDURA 38
 53 2064023 SWITCH - FWD/REV 5 SP
 54 2033401 SCREW - 10 - 24 X 1-3/4 SHOULDER
 55 2013110 NUT - 10 - 24 HEX ZCP
 56 2012100 SCREW - 8 - 18 X 5/8 [6.EA]
 57 2990901 HANDLE ASSEMBLY 5 SPEED
 58 2060405 PIVOT, HANDLE
 59 2012102 SCREW

* This item is part of an assembly. This item cannot be sold separately due to machining and /or assembly that is required.

