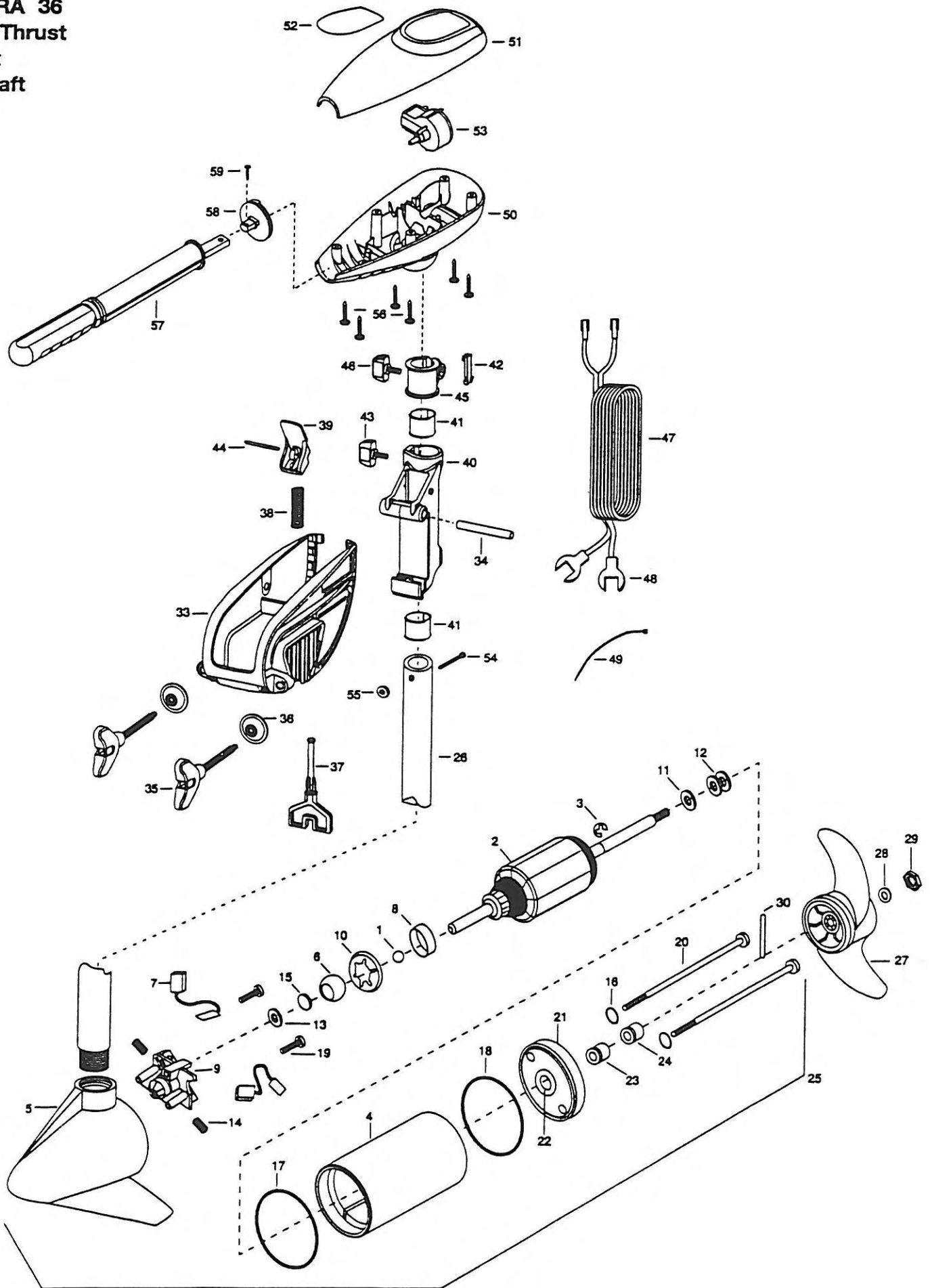


**ENDURA 36**  
**36 lbs Thrust**  
**12 Volt**  
**36" Shaft**



1	116-020	BALL - STEEL
2	2-100-178	ARM ASSEMBLY 12V 3.25
3	788-015	RETAINING RING
4	431-079	HOUSING ASSEMBLY CENTER 3.25 TXT
5	2-300-132	BRUSH END HOUSING ASSEMBLY
6	144-050	BEARING - SPHERICAL
7	188-052	BRUSH ASSEMBLY [2 EA]
8	725-033	BRUSH RETENTION
9	737-031	BRUSH PLATE W/HOLDER 3.25 ASSEMBLY INCLUDES 8, 9, 10, 13
10	784-036	BEARING RETAINER
11	990-067	WASHER- STEEL THRUST
12	990-070	WASHER- NYLATRON [2 EA]
13	991-025	WASHER- FELT
14	975-032	SPRING - COMPRESSION
15	303-039	THRUST DISC- METAL
16	701-007	O-RING [2. EA]
17	701-041	O-RING
18	701-039	O-RING MK406460
19	830-001	SCREW- SELF-THREAD 8-32 X 1.7 [2.EA ]
20	830-078	THRU BOLT 8-32 X 8.96 [2. EA]
21	2-400-127	PLAIN END HOUSING ASSEMBLY
22	144-099	FLANGE BEARING (SERVICE ONLY)
23	880-003	SEAL
24	880-006	SEAL WITH SHIELD
25	2069041	MOTOR ASSEMBLY 12V 3.25 5SPC TXT 47
26	2032046	TUBE, COMPOSITE 36*
	■ 1378126	PROP- KIT INCL. 27, 28, 29, 30
27	2061125	PROPELLER W/WEDGE
28	2151726	WASHER- 5/16 STD SS
29	2053101	NUT-PROP NYLOC (MED)

30	2092600	PIN-DRIVE
	■ 2771810	BRACKET & HINGE ASSEMBLY (INCLUDES- 33—44)
	■ 2771910	BRACKET ASSEMBLY (INCLUDES- 33, 35, 36)
*33	2061910	BRACKET- ENDURA
34	2060510	PIN-HINGE ENDURA
	■ 2881300	SCREW CLAMP, WASHER, RETAINER KIT
*35	2061300	SCREW-CLAMP ENDURA [2.EA ]
*36	2011710	WASHER-CLAMP SCREW ENDURA [2.EA ]
37	2063605	T-BAR, PLASTIC ENDURA
38	2062706	SPRING- (T-BAR) ENDURA
39	2067200	LEVER-TILT RED ENDURA
40	2061810	HINGE-PLASTIC ENDURA
41	2037300	BUSHING-HINGE [2.EA ]
42	2062800	TENSION BLOCK-SNAP IN
43	2011385	SCREW, TENSION/KNOB
44	2060515	PIN, TILT LEVER
45	2061520	COLLAR-DEPTH
46	2011365	SCREW-COLLAR/NEW KNOB
47	2050609	LEADWIRE- 10 GA SPADE TERM
48	2020702	SPADE TERMINAL 10 GA [2.EA ]
49	2256300	TIE WRAP
50	2062510	CONTROL BOX
51	2060209	CONTROL BOX COVER
52	2065534	DECAL- COVER ENDURA 36
53	2064023	SWITCH-FWD/REV 5 SP
54	2033401	SCREW-10-24 X 1-3/4 SHOULDER
55	2013110	NUT-10-24 HEX NYLOC
56	2012100	SCREW-8-18 X 5/8 [6.EA]
57	2990901	HANDLE ASSEMBLY 5 SPEED
58	2060405	PIVOT, HANDLE
59	2012102	SCREW

\* This item is part of an assembly. This item cannot be sold separately due to machining and /or assembly that is required.

# Endura Transom Series

(includes: Endura, Power Max, Endura Pro, and Spider 50)

## Wiring Diagrams

