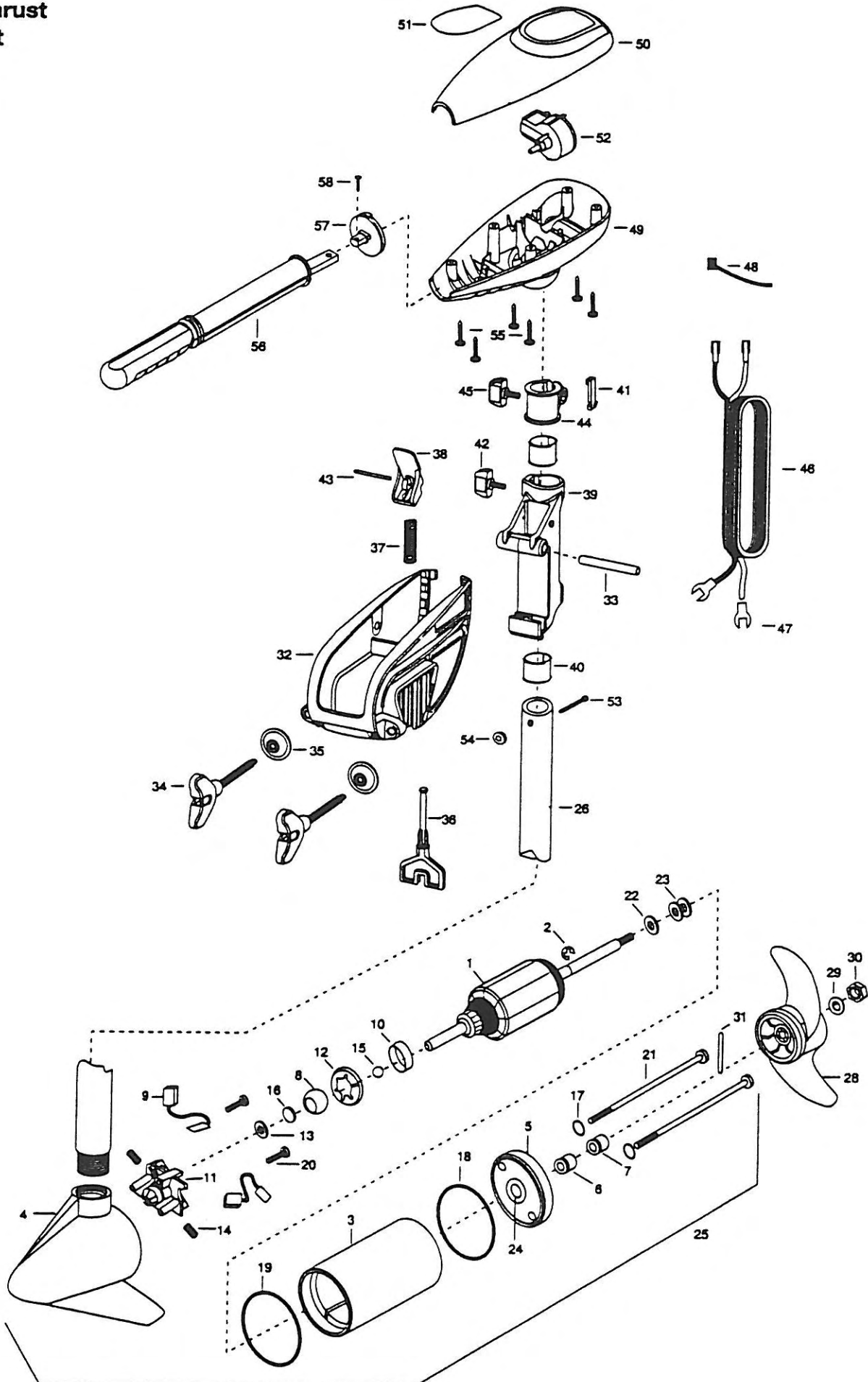


ENDURA 34
34 lbs Thrust
36" Shaft
12 volt



1	2-100-077	ARMATURE ASSEMBLY 12V 3.25 5SPDC TXT 47			
2	788-015	RETAINING RING			
3	431-177	HOUSING ASSEMBLY CENTER 3.25 TXT			
4	2-300-132	BRUSH END HOUSING ASSEMBLY			
5	2-400-127	PLAIN END HOUSING ASSEMBLY			
6	880-003	SEAL			
7	880-006	SEAL W/SHEILD			
8	144-050	BEARING- SPHERICAL			
9	188-052	BRUSH ASSEMBLY [2.EA]			
10	725-033	PAPER TUBE- BRUSH RETENTION			
11	738-030	BRUSH PLATE W/HOLDER 3.25			
12	784-036	BEARING RETAINER			
13	991-025	WASHER FELT			
14	975-032	SPRING- COMPRESSION [2.EA]			
15	116-020	BALL- STEEL			
16	303-039	THRUST DISK			
17	701-007	O-RING THRU BOLT [2.EA]			
18	701-039	O-RING MK406460			
19	701-041	O-RING			
20	830-001	SCREW- SELF THREAD 8-32 X 1.7 [2.EA]			
21	830-076	THRU BOLT 8-32X8.0 [2.EA]			
22	406170	THRUST WASHER- STEEL			
23	405171	THRUST WASHER- NYLATRON [2.EA]			
24	144-049	FLANGE BEARING (SERVICE ONLY)			
25	2069061	MOTOR ASSEMBLY 12V 3.25 5SPC			
26	2032046	TUBE, COMPOSITE 36"			
	■ 1378126	PROPELLER KIT			
*28	2061125	PROPELLER W.WEDGE			
*29	2151726	WASHER- 5/16 STD SS			
*30	2053101	NUT-PROP NYLOCK (MED) SS			
*31	2092600	PIN-DRIVE			
	■ 2991811	BRACKET & HINGE ASSEMBLY (INCLUDES- 32—43)			
	■ 2771910	BRACKET ASSEMBLY (INCLUDES- 32, 34, 35)			
*32	2061910	BRACKET			
33	2060510	PIN-HINGE			
*34	2061300	SCREW-CLAMP [2.EA]			
*35	2011710	WASHER-CLAMP SCREW [2.EA]			
36	2063605	T-BAR, PLASTIC			
37	2062706	SPRING- (T-BAR)			
38	2067200	LEVER-TILT (RED)			
39	2061810	HINGE-PLASTIC			
40	2037300	BUSHING-HINGE [2.EA]			
41	2062800	TENSION BLOCK-SNAP IN			
42	2011385	SCREW, TENSION/KNOB			
43	2060515	PIN, TILT LEVER			
44	2061520	COLLAR-DEPTH			
45	2011365	SCREW-COLLAR/NEW KNOB			
46	2020605	LEADWIRE (14 GA) W/SPADE TERM			
47	2020703	SPADE TERMINAL 14GA HD [2.EA]			
48	2026300	TIE WRAP			
49	2062510	CONTROL BOX			
50	2060209	CONTROL BOX COVER			
51	2065533	DECAL COVER ENDURA 34			
52	2064023	SWITCH-FWD/REV 5 SP			
53	2033401	SCREW-10-24 X 1-3/4			
54	2013110	NUT-10-24 HEX			
55	2012100	SCREW-8-18 X 5/8 [6.EA]			
56	2990901	HANDLE ASSEMBLY 5 SPEED			
57	2060405	PIVOT, HANDLE			
58	2012102	SCREW			

* This item is part of an assembly. This item cannot be sold separately due to machining and /or assembly that is required.

Endura Transom Series

(includes: Endura, Power Max, Endura Pro, and Spider 50)

Wiring Diagrams

