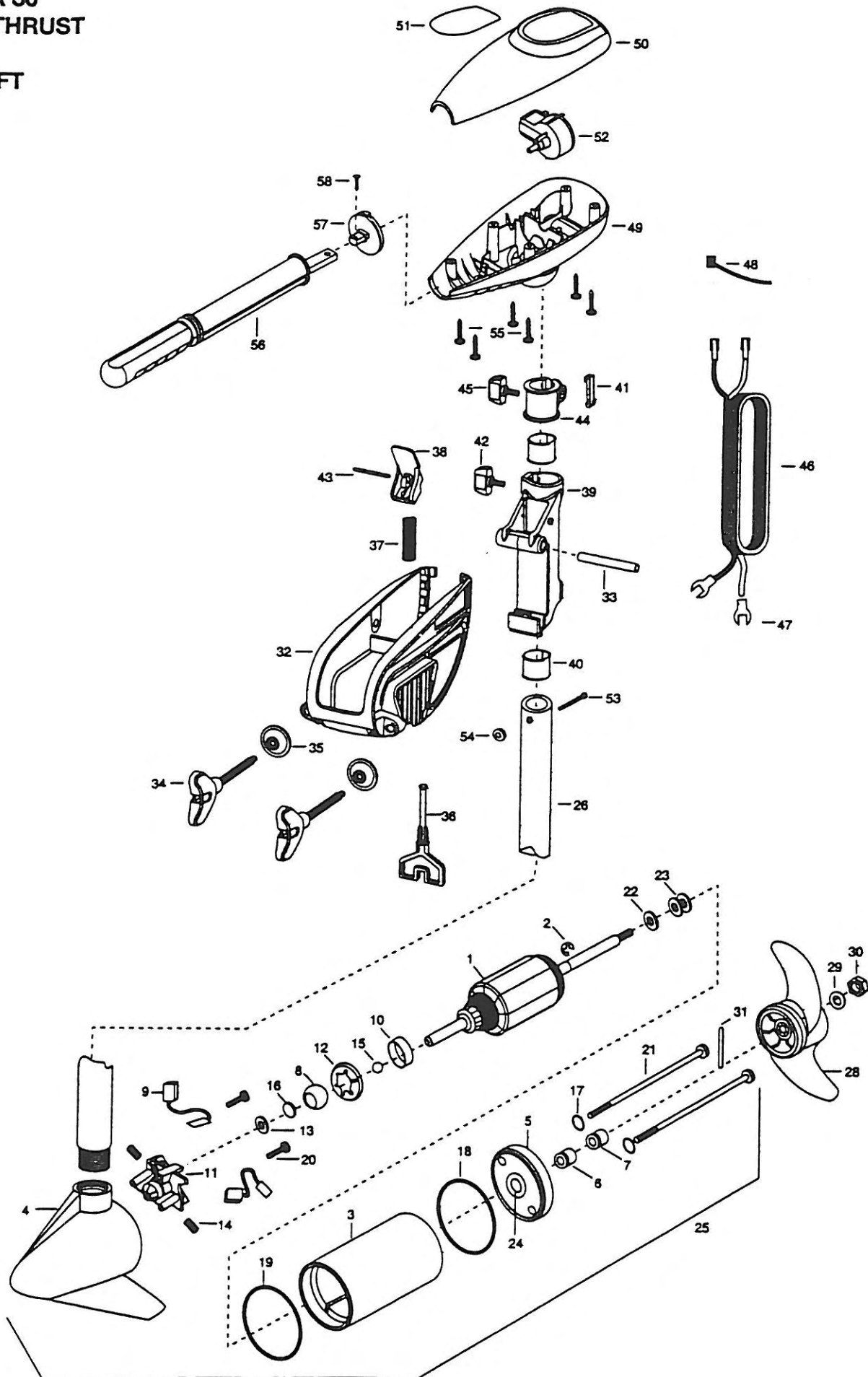


**ENDURA 30**  
**30 LBS THRUST**  
**12 VOLT**  
**30" SHAFT**



1 2-100-077 ARMATURE ASSEMBLY 12V 3.25 5SPDC TXT 41  
 2 788-015 RETAINING RING  
 3 431-177 HOUSING ASSEMBLY CENTER 3.25 TXT  
 4 2-300-142 BRUSH END HOUSING ASSEMBLY  
 5 2-400-127 PLAIN END HOUSING ASSEMBLY  
 6 880-003 SEAL  
 7 880-006 SEAL W/SHEILD  
 8 144-050 BEARING- SPHERICAL  
 9 188-052 BRUSH ASSEMBLY [2.EA]  
 10 725-033 PAPER TUBE- BRUSH RETENTION  
 11 738-030 BRUSH PLATE W/HOLDER 3.25  
 12 784-038 BEARING RETAINER  
 13 991-025 WASHER FELT  
 14 975-032 SPRING- COMPRESSION [2.EA]  
 15 116-020 BALL- STEEL  
 16 303-039 THRUST DISK  
 17 701-007 O-RING- THRU BOLT [2.EA]  
 18 701-039 O-RING MK406460  
 19 701-041 O-RING  
 20 830-001 SCREW- SELF THREAD 8-32X1.7 [2.EA]  
 21 830-076 THRU BOLT 8-32X8.0 [2.EA]  
 22 990-067 WASHER- STEEL THRUST  
 23 990-070 WASHER- NYLATRON [2.EA]  
 24 144-049 FLANGE BEARING (SERVICE ONLY)  
 25 2069060 MOTOR ASSEMBLY 12V 3.25 5SPC TXT  
 26 2032045 TUBE, COMPOSITE 30\*  
 ■ 1378126 PROPELLER KIT (INCLUDES 28,29,30,31)  
 \*28 2061125 PROPELLER W.WEDGE  
 \*29 2151726 WASHER- 5/16 STD SS  
 \*30 2053101 NUT-PROP NYLOCK (MED) SS  
 \*31 2092600 PIN-DRIVE

■ 2991811 BRACKET & HINGE ASSEMBLY (INCLUDES- 32—43)  
 ■ 2771910 BRACKET ASSEMBLY (INCLUDES- 32,34,35)  
 \*32 2061910 BRACKET  
 33 2060510 PIN-HINGE  
 \*34 2061300 SCREW-CLAMP [2.EA]  
 \*35 2011710 WASHER-CLAMP SCREW [2.EA]  
 36 2063605 T-BAR, PLASTIC  
 37 2062706 SPRING- (T-BAR)  
 38 2067200 LEVER-TILT (RED)  
 39 2061810 HINGE-PLASTIC  
 40 2037300 BUSHING-HINGE [2.EA]  
 41 2062800 TENSION BLOCK-SNAP IN  
 42 2011385 SCREW, TENSION/KNOB  
 43 2060515 PIN, TILT LEVER  
 44 2061520 COLLAR-DEPTH  
 45 2011365 SCREW-COLLAR/NEW KNOB  
 46 2020605 LEADWIRE (14 GA) W/SPADE TERM  
 47 2020703 SPADE TERMINAL 14GA HD [2.EA]  
 48 2026300 TIE WRAP  
 49 2062510 CONTROL BOX  
 50 2060209 CONTROL BOX COVER  
 51 2065532 DECAL COVER ENDURA 30  
 52 2064023 SWITCH-FWD/REV 5 SP  
 53 2033401 SCREW-10-24 X 1-3/4  
 54 2013110 NUT-10-24 HEX  
 55 2012100 SCREW-8-18 X 5/8 [6.EA]  
 56 2990901 HANDLE ASSEMBLY 5 SPEED  
 57 2060405 PIVOT, HANDLE  
 58 2012102 SCREW

\* This item is part of an assembly. This item cannot be sold separately due to machining and /or assembly that is required.

# Endura Transom Series

(includes: Endura, Power Max, Endura Pro, and Spider 50)

## Wiring Diagrams

