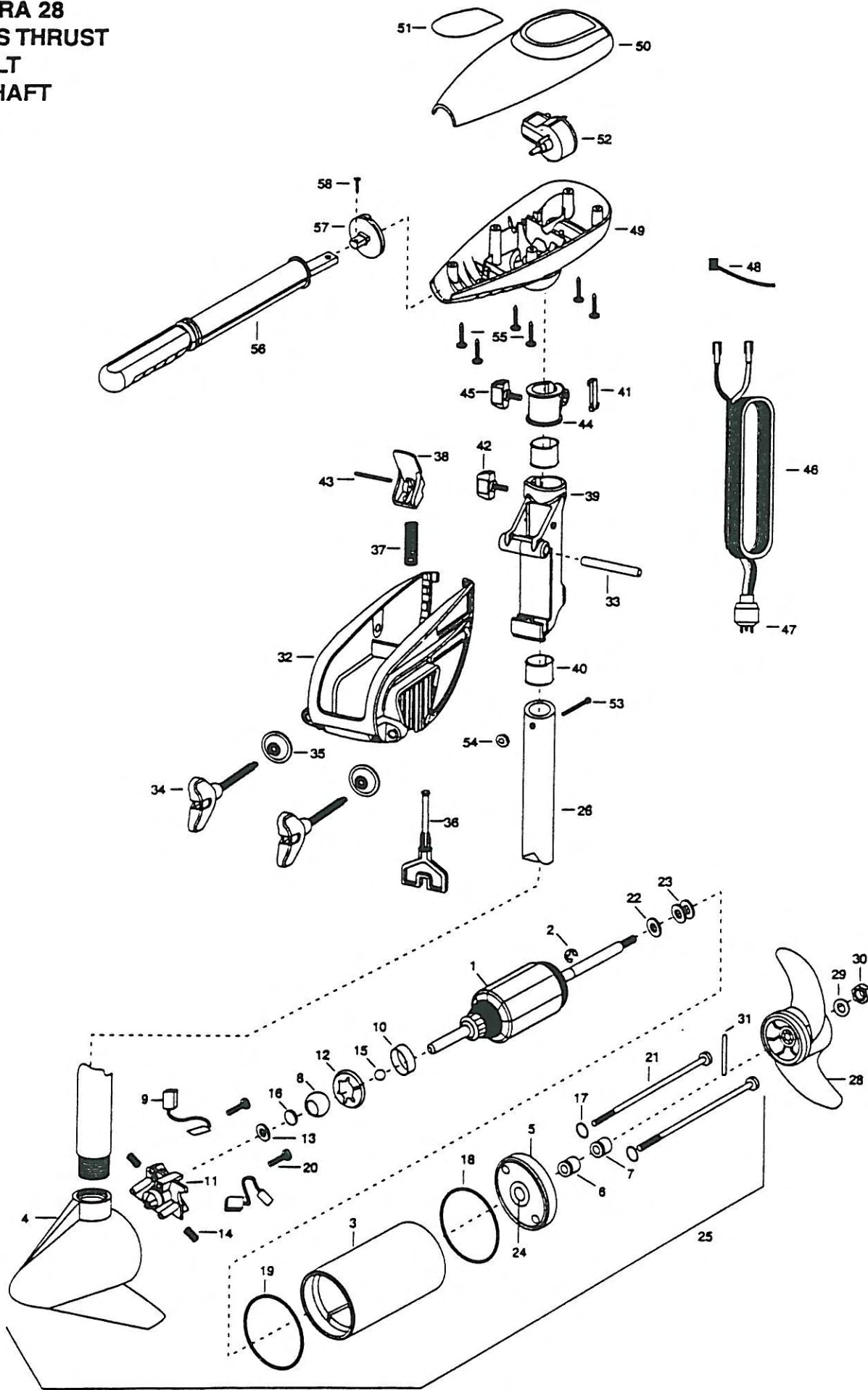


ENDURA 28
28 LBS THRUST
12 VOLT
30" SHAFT



1	2-100-077	ARMATURE ASSEMBLY 12V 3.25 5SPDC TXT 41
2	788-015	RETAINING RING
3	431-177	HOUSING ASSEMBLY CENTER 3.25 TXT
4	2-300-142	BRUSH END HOUSING ASSEMBLY
5	2-400-127	PLAIN END HOUSING ASSEMBLY
6	880-003	SEAL
7	880-006	SEAL W/SHEILD
8	144-050	BEARING - SPHERICAL
9	188-052	BRUSH ASSEMBLY [2.EA]
10	725-033	PAPER TUBE - BRUSH RETENTION
11	738-030	BRUSH PLATE W/HOLDER 3.25
12	784-036	BEARING RETAINER
13	991-025	WASHER FELT
14	975-032	SPRING - COMPRESSION [2.EA]
15	116-020	BALL - STEEL
16	303-039	THRUST DISK
17	701-007	O-RING - THRU BOLT [2.EA]
18	701-039	O-RING MK406460
19	701-041	O-RING
20	830-001	SCREW - SELF-THREAD 8 - 32 X 1.7 [2.EA]
21	830-076	THRU BOLT 8 - 32 X 8.0 [2.EA]
22	990-067	WASHER - STEEL THRUST
23	990-070	WASHER - NYLATRON [2.EA]
24	144-049	FLANGE BEARING (SERVICE ONLY)
25	2069060	MOTOR ASSEMBLY 12V 3.25 5SPC TXT
26	2032045	TUBE, COMPOSITE 30"
	■ 1378126	PROPELLER KIT (INCLUDES 28, 29, 30, 31)
*28	2061125	PROPELLER W.WEDGE
*29	2151726	WASHER - 5/16 STD SS
*30	2053101	NUT - PROP NYLOCK (MED) SS
*31	2092600	PIN - DRIVE

■ 2991811	BRACKET & HINGE ASSEMBLY (INCLUDES - 32-43)
■ 2771910	BRACKET ASSEMBLY (INCLUDES - 32, 34, 35)
*32 2061910	BRACKET
33 2060510	PIN - HINGE
*34 2061300	SCREW - CLAMP [2.EA]
*35 2011710	WASHER - CLAMP SCREW [2.EA]
36 2063605	T-BAR, PLASTIC
37 2062706	SPRING - (T-BAR)
38 2067200	LEVER - TILT (RED)
39 2061810	HINGE - PLASTIC
40 2037300	BUSHING - HINGE [2.EA]
41 2062800	TENSION BLOCK - SNAP IN
42 2011385	SCREW, TENSION/KNOB
43 2060515	PIN, TILT LEVER
44 2061520	COLLAR - DEPTH
45 2011365	SCREW - COLLAR/NEW KNOB
46 2020615	LEADWIRE (14 GA) W/PLUG
47 2026700	PLUG - 14AWG
48 2026300	TIE WRAP
49 2062510	CONTROL BOX
50 2060209	CONTROL BOX COVER
51 2065620	DECAL COVER ENDURA 28-30*
52 2064023	SWITCH - FWD/REV 5 SP
53 2033401	SCREW - 10 - 24 X 1-3/4
54 2013110	NUT - 10 - 24 HEX
55 2012100	SCREW - 8 - 18 X 5/8 [6.EA]
56 2990901	HANDLE ASSEMBLY 5 SPEED
57 2060405	PIVOT, HANDLE
58 2012102	SCREW

* This item is part of an assembly. This item cannot be sold separately due to machining and /or assembly that is required.

Endura Transom Series

(includes: Endura, Power Max, Endura Pro, and Spider 50)

Wiring Diagrams

