

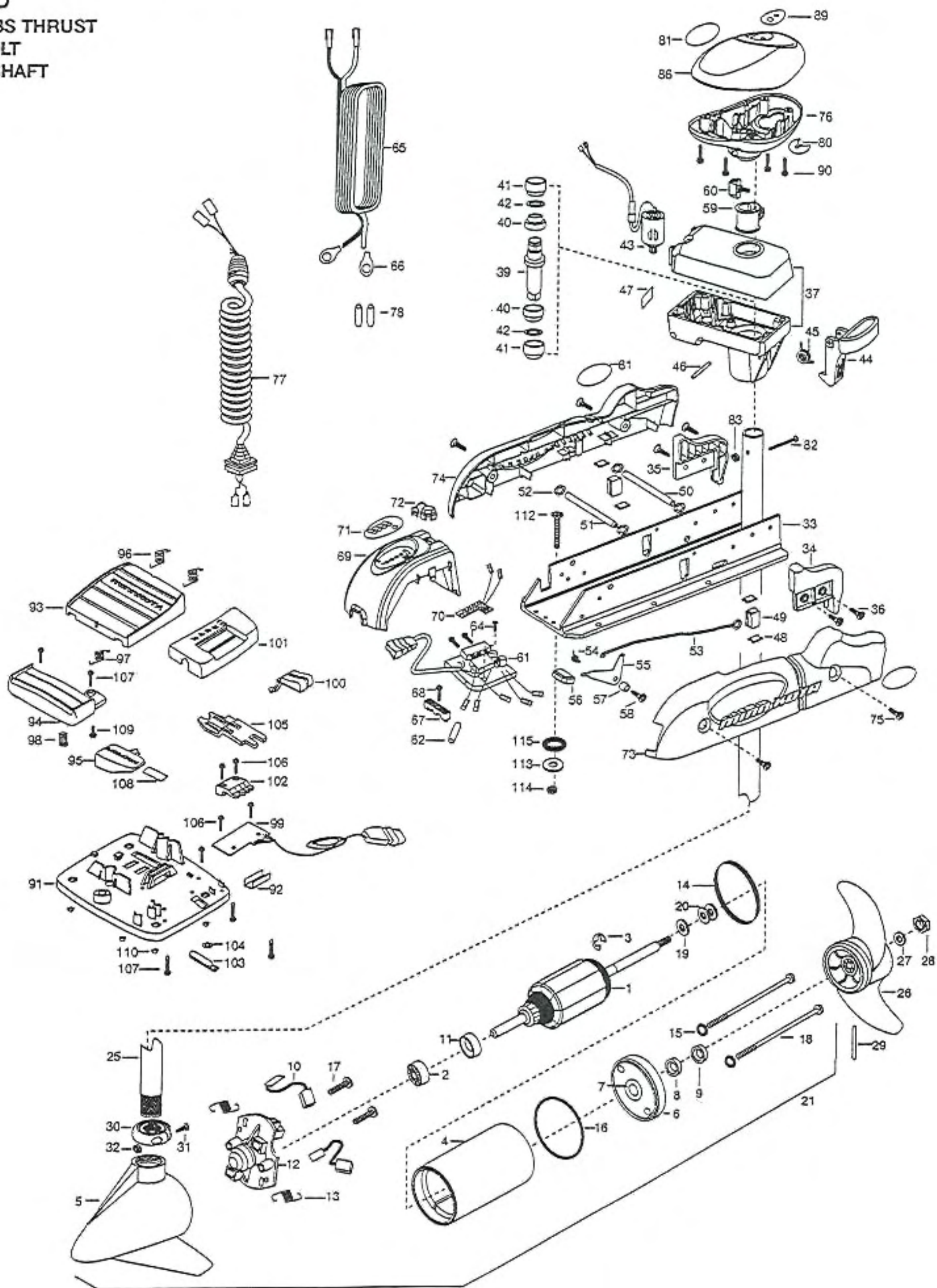
CABELA'S TOURNAMENT SERIES

60PD

60 LBS THRUST

24VOLT

60" SHAFT



1	2-100-009	ARMATURE ASSEMBLY	*39	2302010	DRIVE HOUSING OUTPUT SHAFT	76	2302515	CONTROL BOX PD/AP
2	140-010	BALL BEARING	*40	2307304	BUSHING- INNER [2.EA]	77	2991252	COIL CORD W/STRAIN RELIEF PD60*
3	788-015	RETAINING RING	*41	2307305	BUSHING- OUTER [2.EA]	78	2065400	WIRE INSULATOR-LGE 1-3/4 [2.EA]
4	431-005	CENTER HOUSING ASSEMBLY	*42	2304603	O-RING [2.EA]	80	2224700	INSERT- PLUG
5	421-065	HOUSING BRUSH END 3.62 TXT	43	2307045	MOTOR- DRIVE HOUSING HIGH SPD	81	2005601	DECAL- CABELA TOUR SERIES [3.EA]
6	2-400-101	PLAIN END HOUSING ASSEMBLY	44	2307205	LATCH HANDLE PD/AP	82	2033400	SCREW- 10-24 X 1-3/4 PPH Z/P
7	144-049	BEARING - FLANGE (SERVICE ONLY)	45	2302750	SPRING- LATCH TORSION PD/AP	83	2013110	NUT-HEX 10-24 NYLOC ZCP
8	880-003	SEAL	46	2302607	PIN- DRIV-LOK GROOVE ZINC TYPE	86	2300242	CONTROL BOX COVER- CABELA GRAY
9	880-006	SEAL WITH SHIELD	47	2305514	DECAL-STOW/DEPLOY	89	2315666	DECAL- COVER 60PD 2001
10	188-036	BRUSH ASSEMBLY [2.EA]	48	2305110	PAD-PIVOT SUPT [4.EA]	90	2012100	SCREW- #8-18 X 5/8 THD CUT [4.EA]
11	725-050	BRUSH RETENTION	49	2305101	PIVOT PAD [2.EA]	■	2774700	FOOT PEDAL ASSEMBLY
12	738-036	BRUSH PLATE W/HOLDER	50	2300500	PIN-LATCH	91	2304511	FOOT PEDAL BASE
13	975-040	SPRING - TORSION [2.EA]	51	2300510	PIN-PIVOT	92	2308500	WEAR PLATE FOOT PDL
14	337-036	GASKET	52	2013100	NUT-SPEED [4.EA]	93	2304516	FOOT PEDAL-UPPER
15	701-008	O-RING, THRU-BOLT [2.EA]	53	2303612	ROD-RELEASE RT/AP SS	94	2304520	FOOT PEDAL-LOWER
16	701-081	O-RING	54	2302700	SPRING-RELEASE LEVER	95	2307210	LEVER MOM/CON-
17	830-007	SCREW- #8-32 [2.EA]	55	2303710	LEVER-RELEASE	96	2302730	SPRING-LONG-UPPER PEDAL [2.EA]
18	830-008	THRU-BOLT 10-32X9.2 [2.EA]	56	2300101	RELEASE-KNOB	97	2302731	SPRING-SHORT-UPPER PEDAL
19	990-067	WASHER- STEEL THRUST	57	2301700	SPACER-RELEASE LEVER	98	2302732	SPRING-LOWER PEDAL
20	990-070	WASHER - NYLATRON	58	2303430	SCREW-1/4-20 X 5/8	99	2304012	CONTROL BOARD ASSEMBLY-FT PDL
21	2098032	MOTOR ASSEMBLY 24V F/W 51.5" LDS	59	2031522	COLLAR- DRIVE (W/INSERT)	100	2300120	KNOB-SPEED SELECTOR
25	2032087	TUBE-CARBON COMPOSITE 60"	60	2011365	SCREW-COLLAR/NEW KNOB	101	2300121	HOUSING SPEED SELECTOR
■	1378122	PROPELLER KIT	61	2304042	CONTROL BOARD ASSEMBLY- 24V PD/AP	102	2302840	ACTUATOR-BOARD
26	2091150	PROPELLER W/WEDGE	62	2305400	SHRINK TUBE-1/2 ODX2	103	2302841	ACTUATOR-MOM/CON
27	2151726	WASHER-5/16 SS	64	2332100	SCREW-8-32 X 3/8 [3EA.]	104	2301731	WASHER OD .314 ID .158X.10
28	2053101	NUT-PROP NYLOC	65	2090601	LEADWIRE 10GA 44"	105	2302842	ACTUATOR-STEERING
29	2092600	PIN-DRIVE	66	2020700	TERMINAL RING [2.EA]	106	2302100	SCREW-6-20 X 1/2 [5.EA]
30	2301545	COLLAR- LATCH PD/AP	67	2222906	STRAIN RELIEF- BRACKET PD/AP	107	2372100	SCREW-8-18 X 5/8 [5.EA]
31	2303434	SCREW- 8-32X5/8 MACH PHCR	68	2303430	SCREW-1/4-20 X 5/8	108	2266610	DECAL-ON/OFF SWITCH
32	2303112	NUT 8-32 NYLOC SS	69	2306555	HOUSING- CENTER PD/AP	109	2335130	BUMPER ACTUATOR
33	2301932	EXTRUSION- BASE MACHINED	70	2034026	BATTERY GAUGE - 24 VOLT	110	2994807	BAG ASSEMBLY- 4 RUBBER BUMPERS
34	2303932	MOTOR REST- RIGHT LARGE	71	2306609	DECAL, BATTERY GAUGE	■	2994803	BAG ASSEMBLY- (BOLT,NUT,WASHERS)
35	2303937	MOTOR REST- LEFT LARGE	72	2302935	STRAIN RELIEF-DR. HOUSING	*112	2153501	BOLT-MOUNTING-3500 W/STG [4.EA]
36	2303430	SCREW 1/4-20X5/8 SELF TAP [4.EA]	73	2303941	SIDEPLATE PD (RIGHT)	*113	2151726	WASHER-5/16 [4.EA]
37	2301845	DRIVE HOUSING PD/AP 2001	74	2303946	SIDEPLATE PD (LEFT)	*114	2153100	NUT-5/16-18 MOUNTING [4.EA]
■	2882011	BUSHING/ OUTSHAFT KIT (INCLUDES 39-42)	75	2303430	SCREW-1/4-20 X 5/8- [4.EA]	*115	2301720	WASHER-MOUNTING RUBBER [6.EA]

* This item is part of an assembly. This item cannot be sold separately due to machining and /or assembly that is required.

24-Volt Model

