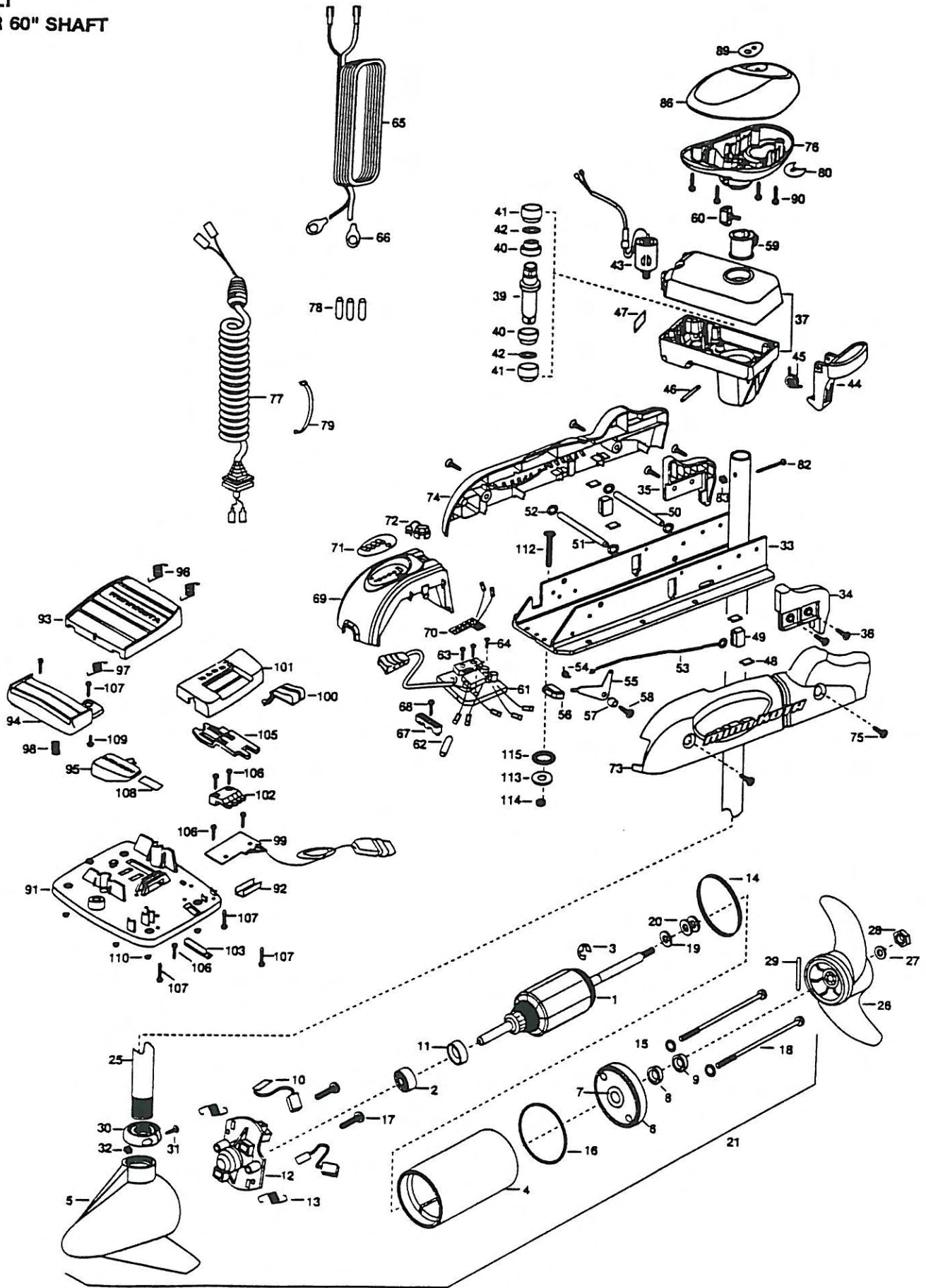


65PD  
65 LBS THRUST  
24 VOLT  
54" OR 60" SHAFT



1	2-100-009	ARMATURE ASSEMBLY	*40	2307304	BUSHING - INNER [2.EA]	78	2065400	WIRE INSULATOR - LGE 1-3/4 [3.EA]
2	140-010	BALL BEARING	*41	2307305	BUSHING - OUTER [2.EA]	79	9950433	TIE WRAP - 4" BLACK
3	788-015	RETAINING RING	*42	2304603	O-RING [2.EA]	80	2227400	INSERT - PLUG
4	431-005	CENTER HOUSING ASSEMBLY	43	2307045	MOTOR - DRIVE HOUSING HIGH SPD	82	2332102	SCREW - 10 - 24 X 1-3/4
5	421-065	HOUSING BRUSH END 3.62 TXT	44	2307205	LATCH HANDLE PD/AP	83	2333101	NUT - HEX 10 - 24 UNC-2B NYLOC
6	2-400-101	PLAIN END HOUSING ASSEMBLY	45	2302750	SPRING - LATCH TORSION PD/AP	86	2300235	CONTROL BOX COVER - POWERDRIVE
7	144-049	BEARING - FLANGE (SERVICE ONLY)	46	2302607	PIN - DRIV-LOK GROOVE ZINC TYPE	89	2315660	DECAL - COVER 65PD
8	880-003	SEAL	47	2305514	DECAL - STOW/DEPLOY	90	2372100	SCREW - 8 - 18 X 5/8 [4.EA]
9	880-006	SEAL WITH SHIELD	48	2305110	PAD - PIVOT SUPT [4.EA]	■	2774700	FOOT PEDAL ASSEMBLY
10	188-036	BRUSH ASSEMBLY [2.EA]	49	2305101	PIVOT PAD [2.EA]	91	2304511	FOOT PEDAL BASE
11	725-050	BRUSH RETENTION - PAPER TUBE	50	2300500	PIN - LATCH	92	2308500	WEAR PLATE FOOT PDL
12	738-036	BRUSH PLATE W/HOLDER	51	2300510	PIN - PIVOT	93	2304516	FOOT PEDAL - UPPER
13	975-040	SPRING - TORSION [2.EA]	52	2013100	NUT - SPEED [4.EA]	94	2304520	FOOT PEDAL - LOWER
14	337-036	GASKET	53	2303612	ROD - RELEASE RT/AP SS	95	2307210	LEVER MOM/CON
15	701-008	O-RING, THRU-BOLT [2.EA]	54	2302700	SPRING - RELEASE LEVER	96	2302730	SPRING - LONG - UPPER PEDAL [2.EA]
16	701-081	O-RING	55	2303710	LEVER - RELEASE	97	2302731	SPRING - SHORT - UPPER PEDAL
17	830-007	SCREW - 8 - 32 [2.EA]	56	2300101	RELEASE - KNOB	98	2302732	SPRING - LOWER PEDAL
18	830-008	THRU-BOLT 10 - 32 X 9.2 [2.EA]	57	2301700	SPACER - RELEASE LEVER	99	2304012	CONTROL BOARD ASSEMBLY - FT PDL
19	990-067	WASHER - STEEL THRUST	58	2303430	SCREW - 1/4 - 20 X 5/8	100	2300120	KNOB - SPEED SELECTOR
20	990-070	WASHER - NYLATRON	59	2031522	COLLAR - DRIVE (W/INSERT)	101	2300121	HOUSING SPEED SELECTOR
21	2098032	MOTOR ASSEMBLY 24V F/W 51.5" LDS	60	2011365	SCREW - COLLAR/NEW KNOB	102	2302840	ACTUATOR - BOARD
25	2032076	TUBE - CARBON COMPOSITE 54"	61	2304042	CTRL BOARD ASSEMBLY - 24V PD/AP	103	2302841	ACTUATOR - MOM/CON
	2032087	TUBE - CARBON COMPOSITE 62"	62	2335400	SHRINK TUBE - 1/2 ODX2	105	2302842	ACTUATOR - STEERING
■	1378122	PROPELLER KIT (26-29)	63	2223454	SCREW - 10 - 32 X 1/2 SS [2.EA]	106	2302100	SCREW - 6 - 20 X 1/2 [5.EA]
*26	2091150	PROPELLER W/WEDGE	64	2332100	SCREW - 8 - 32 X 3/8	107	2372100	SCREW - 8 - 18 X 5/8 [5.EA]
*27	2151726	WASHER - 5/16 SS	65	2090601	LEADWIRE IOGA 44"	108	2266610	DECAL - ON/OFF SWITCH
*28	2053101	NUT - PROP NYLOC	66	2020700	TERMINAL RING [2.EA]	109	2335130	BUMPER ACTUATOR
*29	2092600	PIN - DRIVE	67	2222906	STRAIN RELIEF - BRACKET PD/AP	110	2994807	BAG ASSEMBLY - 4 RUBBER BUMPERS
30	2301545	COLLAR - LATCH PD/AP	68	2303430	SCREW - 1/4 - 20 X 5/8	■	2994803	BAG ASSEMBLY - (BOLT, NUT, WASHERS)
31	2303434	SCREW - 8 - 32 X 5/8 MACH PHCR	69	2306555	HOUSING - CENTER PD/AP	*112	2153501	BOLT - MOUNTING - 3500 W/STG [4.EA]
32	2303112	NUT 8 - 32 NYLOC SS	70	2034026	BATTERY GAUGE - 24 VOLT	*113	2151726	WASHER - 5/16 [4.EA]
33	2301932	EXTRUSION - BASE MACHINED	71	2306609	DECAL, BATTERY GAUGE	*114	2153100	NUT - 5/16 - 18 MOUNTING [4.EA]
34	2303932	MOTOR REST - RIGHT LARGE	72	2302935	STRAIN RELIEF - DR. HOUSING	*115	2301720	WASHER - /MOUNTING RUBBER [6.EA]
35	2303937	MOTOR REST - LEFT LARGE	73	2303941	SIDEPLATE (RIGHT) PD			
36	2303430	SCREW 1/4 - 20 X 5/8 SELF TAP [4.EA]	74	2303946	SIDEPLATE (LEFT) PD			
37	2301845	DRIVE HOUSING PD/AP 2001	75	2303430	SCREW - 1/4 - 20 X 5/8 [4.EA]			
■	2882011	BUSHING/ OUTSHAFT KIT (INCLUDES 39-42)	76	2302515	CONTROL BOX PD/AP			
*39	2302010	DRIVE HOUSING OUTPUT SHAFT	77	2991251	COIL CORD WSTRAIN RELIEF 54"			
				2991252	COIL CORD WSTRAIN RELIEF 60"			

65PD

\* This item is part of an assembly. This item cannot be sold separately due to machining and /or assembly that is required.

# 65PD 24-Volt Models

