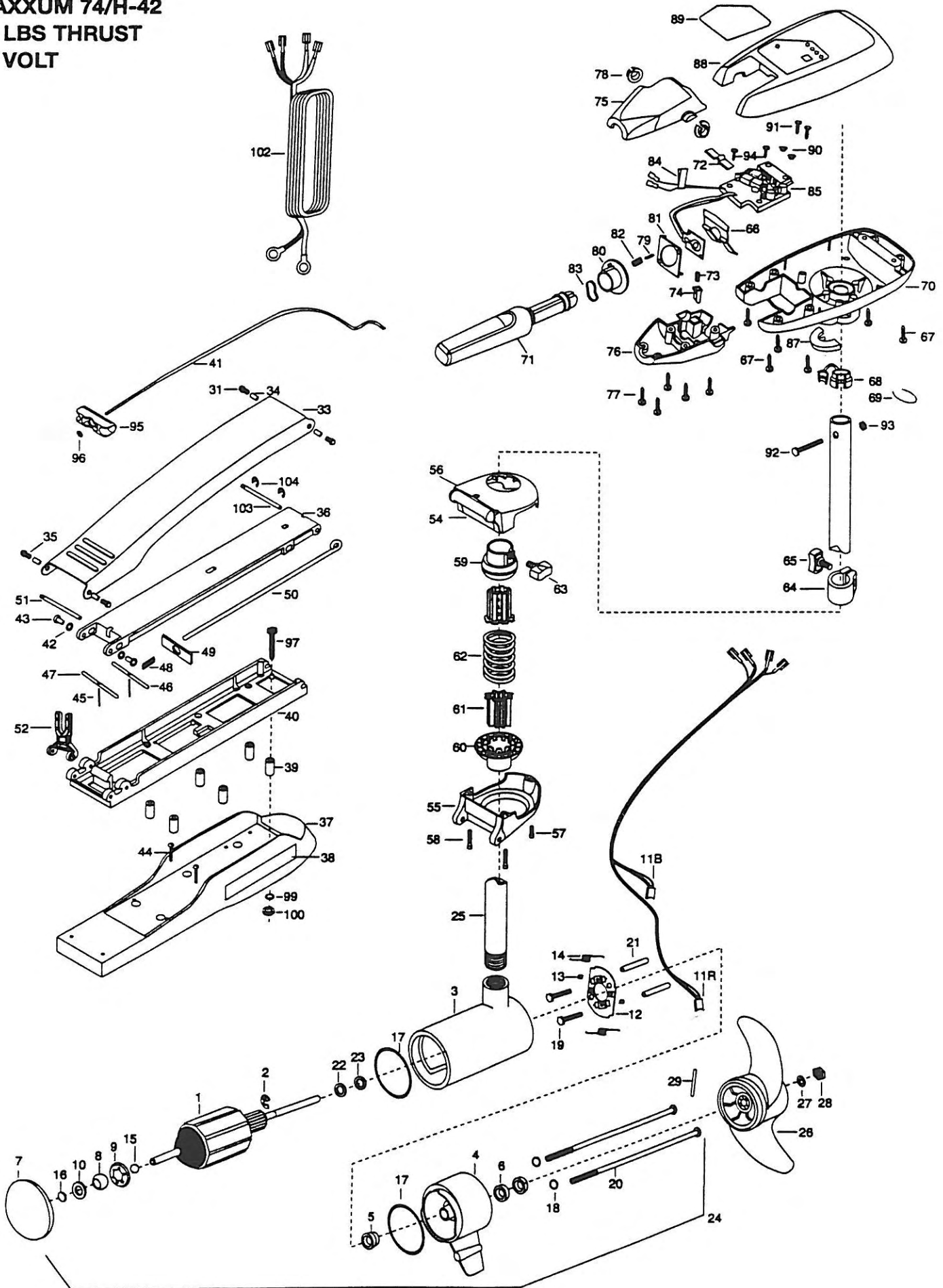


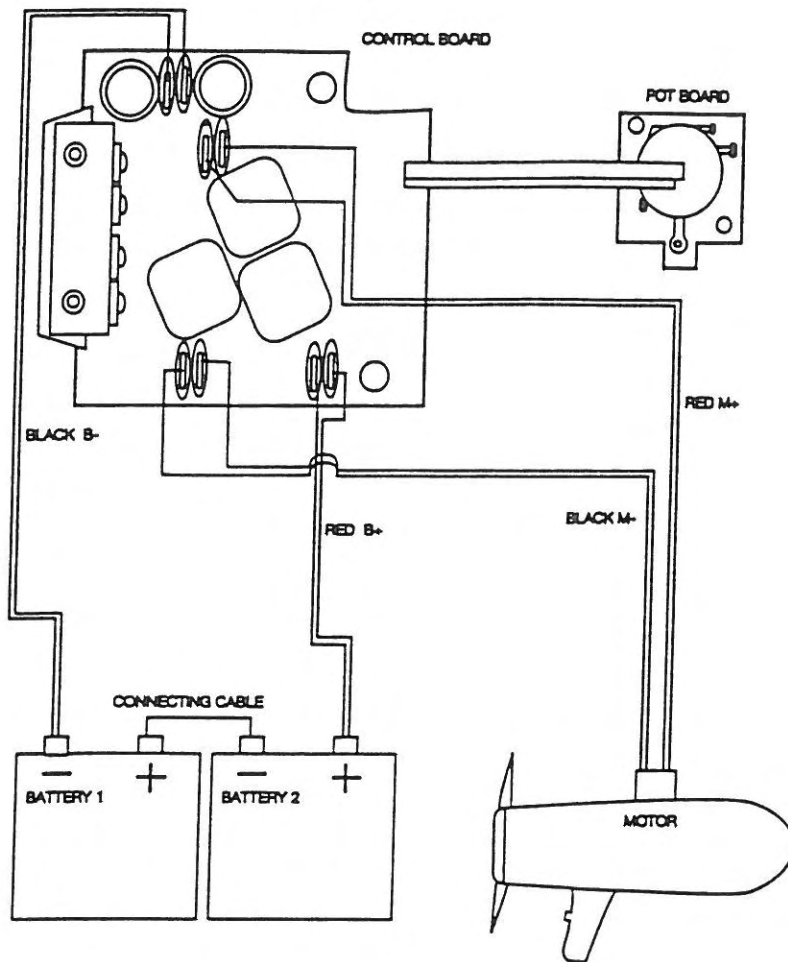
MAXXUM 74/H-42
74 LBS THRUST
24 VOLT



1	2-100-103	ARMATURE ASSEMBLY 24V 4*	34	2293501	BUSHING, STAINLESS STEEL [4.EA]	68	2332900	STRAIN RELIEF-C.CORD/C.BX
2	788-040	RETAINING RING	35	2263500	BOLT, SHOULDER MAXXUM [2.EA]	69	2303001	RING-PIG LOXIT HILL #2
3	431-160	HOUSING ASSEMBLY CENTER 4.0 TXT	36	2994307	ARM-LOWER ASSY, STD, FW, EX	70	2062586	CONTROL BOX, FW, .875 BORE, ZNC
4	2-300-160	BRUSH END HOUSING ASSEMBLY	37	2263912	MOTOR REST STD MAX	71	2990914	HANDLE ASSEMBLY W/O U-JOINT
5	144-017	BEARING- FLANGE (SERVICE ONLY)	38	2265514	DECAL-MAXXUM, MOTOR REST [2.EA]	72	2302742	SPRING-DETENT (OFF) SS
6	880-025	SEAL [2.EA]	39	2261505	SPACER, MOTOR REST [6.EA]	73	2302745	SPRING-RELEASE BUTTON SS
7	2-400-160	PLAIN END HOUSING ASSEMBLY	40	2251967	BOWPLATE, STD FW-MACH/INSERT	74	2303720	RELEASE BUTTON-HANDLE
8	144-021	BEARING SPHERICAL	41	2251601	ROPE- 40", MAXXUM MOUNT	75	2060409	HANDLE-TOP HALF MAXIMIZE
9	784-025	BEARING RETAINER	42	2261707	WASHER-3/8" X 1/2" X .016 SS [2.EA]	76	2060415	HANDLE-LOWER HALF
10	991-040	WASHER-FELT	43	2236000	BEARING NYLINER-[2.EA]	77	2303412	SCREW-6-20 X 5/8 SELF TAP [5.EA]
11R	409073	BRUSH ASSEMBLY-RED	44	2263434	SCREW, 8-18 K 1" PPH SS [2.EA]	78	2060005	BEARING-HANDLE PIVOT [2.EA]
11B	409074	BRUSH ASSEMBLY-BLK	45	2152610	SPRING-PIN LOCKBAR [2.EA]	79	2302600	PIN-ACTUATOR
12	738-040	BRUSH PLATE	46	2233600	LOCK BAR-BOW MOUNT	80	2302850	ACTUATOR-CAM
13	830-028	SCREW-10-32 X.164 [2.EA]	47	2233602	LOCK BAR, REAR-ZINC	81	2302851	ACTUATOR-FWD/REV
14	975-041	SPRING-TORSION [2.EA]	48	2152700	SPRING-LOCKBAR CAD.PLT	82	2302740	SPRING-ACTUATOR
15	116-025	BALL-STEEL	49	2262703	SPRING STOP MAX	83	2302741	SPRING-CAM ZNC PLTD STEEL
16	303-043	THRUST DISC	50	2153602	EYE SHAFT-2LOCKBAR STD	84	2305810	TAG-AIR SWITCH LEADS
17	701-043	O-RING [2.EA]	51	2260508	HINGE-PIN HEADLESS ZINC	85	2344005	CONTROL BOARD ASSEMBLY
18	701-009	O-RING -THRU BOLT [2.EA]	52	2283811	YOKE, MAX MNT-POLYPROPYLE	87	2061512	COLLAR-CTRL BOX FRS-WTR
19	830-027	SCREW-SELF THREAD 10-32 X 2 [2.EA]	■	2991990	BOWGUARD ASSEMBLY-HAND CTRL	88	2990294	CONTROL BOX COVER/DECAL ASSEMBLY
20	830-094	THRU BOLT 12-24 X 10.31 [2.EA]	54	2991992	BRACKET BASE TOP/INSERT	89	2265535	DECAL COVER, MAXXUM 74/H
21	973-025	SPACER-BRUSH PLATE [2.EA]	55	2991993	BRKT BTM/BEARING FW ASSEMBLY	90	2301710	WASHER-INSUL. TRANSF.BAR [2.EA]
22	990-051	WASHER-STEEL	56	2232351	EYELET-ROPE	91	2372100	SCREW-8-18 X 5/8 THD* SS [2.EA]
23	990-052	WASHER-NYLATRON	57	2263402	SCREW 1/4-20 K 3/4" ZINC	92	2383407	SCREW-10-24 X 2" PPH ZINC
24	2317036	MTR ASSEMBLY 24V 4" VARS TXT 48	58	2263404	SCREW-1/4-20 X 2 1/4 SHCP [2.EA]	93	2383124	NUT-10-24 NYLOC ZINC
25	2032084	TUBE-CARBON COMPOSITE 43 3/4	59	2261525	SPRING-SLEEVE UPPER	94	2301310	SCREW-8-18 X 1/2 SS [2.EA]
■	1378129	PROPELLER KIT INCL. 26, 27, 28, 29	60	2261535	SPRING SLEEVE, LOWER	95	2150400	PULL-GRIP
26	2331120	PROPELLER-W.WEDGE	61	2264702	INSERT-TUBE (2 PER) B.MNT [2.EA]	96	2151700	WASHER-EYE SHAFT .562 OD
27	2091701	WASHER-PROP LARGE	62	2262704	SPRING, BOWGUARD, HAND CT	■	2994830	BAG ASSEMBLY-MAXXUM
28	2093101	NUT-PROP, NYLOC LARGE MAX101	63	2011365	SCREW-COLLAR/NEW KNOB	*97	2263431	SCREW 1/4-20 X 3.5 PPH [6.EA]
29	2092600	PIN-DRIVE SS	64	2031520	COLLAR-DEPTH W/O INSERT	*99	2261713	WASHER-1/4 FLAT SS [6.EA]
31	2263500	BOLT, SHOULDER MAXXUM [2.EA]	65	2011365	SCREW-COLLAR/NEW KNOB	*100	2263103	NUT-1/4-20 NYLOCK-JAM SS [6.EA]
■	2771985	MOUNT, BOW ASSEMBLY, FW STD	66	2302743	SPRING-DETENT HANDLE-TILT	102	2330600	LEADWIRE 10GA. RINGS
33	2264206	ARM-UPPER FW, STD	67	2303412	SCREW-6-20-X 5/8 SELF TAP [6.EA]	103	2260513	HINGE PIN-MAX A/T
						104	2263010	E-RING 3/8 DIA SHAFT [2.EA]

* This item is part of an assembly. This item cannot be sold separately due to machining and /or assembly that is required.

Maxxum Bowmount Series Wiring Diagrams



Max74/H