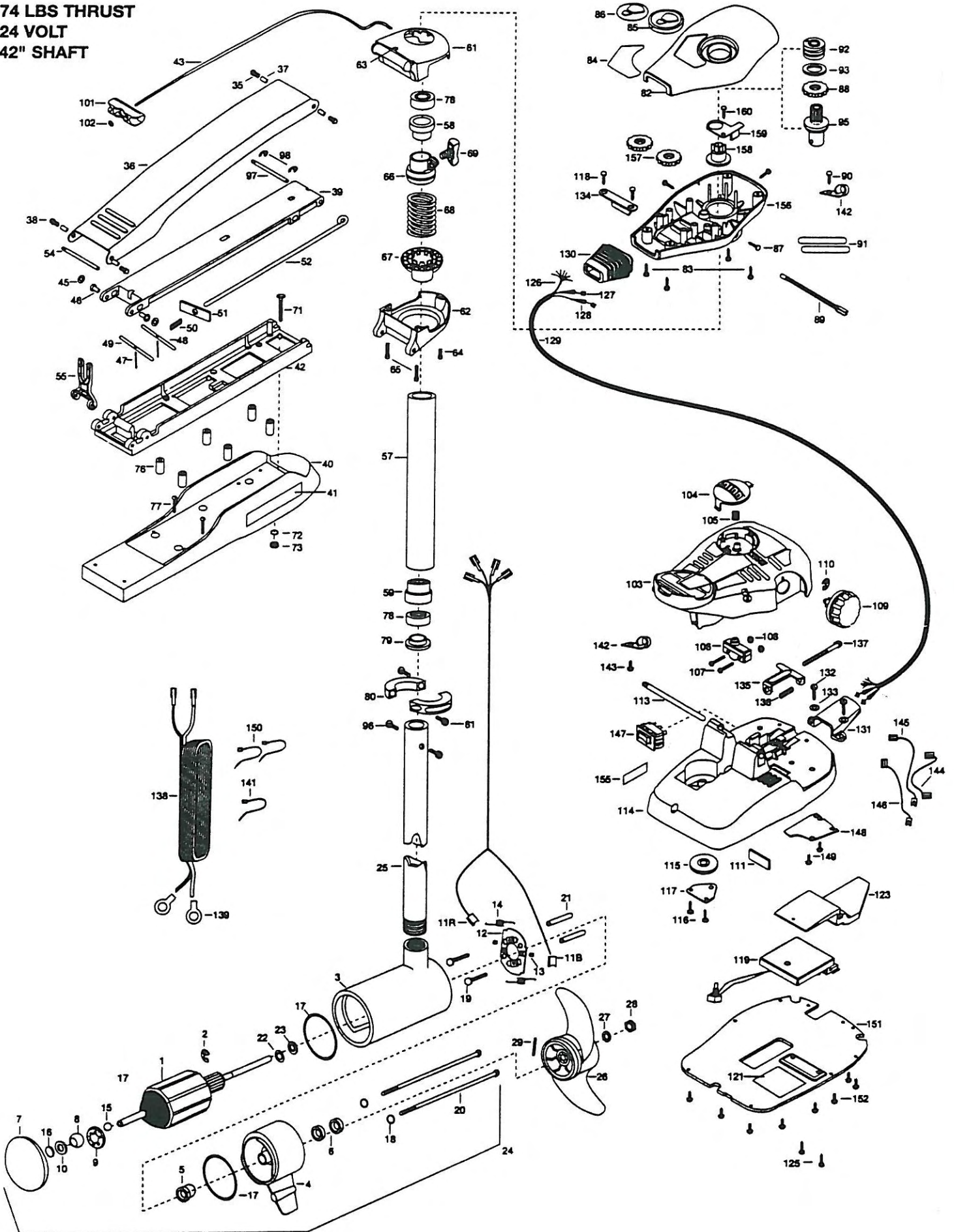


74 MAXXUM
74 LBS THRUST
24 VOLT
42" SHAFT



1	2-100-103	ARMATURE ASSEMBLY24V 4*	54	2260506	HINGE-PIN HEADLESS ZINC	106	2264023	SWITCH-SEALED ASSEMBLY
2	788-040	RETAINING RING	55	2293811	YOKE,MAX MNT-POLYPROPYLENE	107	2262114	SCREW-MOUNTING/SWITCH [2.EA]
3	431-160	HOUSING ASSEMBLY CENTER 4.0 TXT	■	2772012	TUBE W/BEARING RACE ASSEMBLY 42"	108	2233100	NUT-SWITCH MOUNT [2.EA]
4	2-300-160	BRUSH END HOUSING ASSEMBLY		2772015	TUBE W/BEARING RACE ASSEMBLY 36"	109	2260160	KNOB-SPEED CONTROL VAR
5	144-017	BEARING- FLANGE (SERVICE ONLY)	57	2272069	TUBE -OUTER 21" 4 HOLES [FOR 42"]	110	2263000	E-RING TRU-ARC#5133-43
6	880-025	SEAL [2.EA]		2272066	TUBE -OUTER 18" 4 HOLES [FOR 36"]	*111	2266413	PLATE -TENSION SCREW FTPED.
7	2-400-160	PLAIN END HOUSING ASSEMBLY	58	2266260	BEARING RACE-(565T)	113	2260511	PIN-PIVOT A/T PT PDL
8	144-021	BEARING SPHERICAL	59	2266220	BEARING RACE-STEEL	114	2774550	FT PEDAL BASE/PIN ASSEMBLY
9	784-025	BEARING RETAINER	■	2771918	BOWGUARD ASSEMBLY-FT CTRL,MAX	115	2262301	PULLEY- FOOT PEDAL
10	991-040	WASHER- FELT	61	2771992	BRACKET BASE TOP/INSERT ASSEMBLY	116	2223430	SCREW- 8 X 3/4 PPH TYPE 25 SS [2.EA]
11R	409073	BRUSH ASSEMBLY-RED	62	2991999	BRKT BOTTOM/BEARING FW ASSEMBLY	117	2266400	COVER-PULLEY STAMPING
11B	409074	BRUSH ASSEMBLY-BLK	63	2232351	EYELET-ROPE	118	2301310	SCREW-8-18 X 1/2 SS [2.EA]
12	738-040	BRUSH PLATE	64	2263402	SCREW 1/4-20 X 3/4 ZINC	119	2264008	CONTROL BOARD ASSEMBLY 24V MAX
13	830-028	SCREW- 10-32 X .164 [2.EA]	65	2263404	SCREW-1/4-20 X 2-1/4 SHCP [2.EA]	121	2365107	INSULATING PAD 2.3 X 3.2
14	975-041	SPRING- TORSION [2.EA]	66	2261525	SPRING-SLEEVE UPPER	123	2264018	HEAT SINK, MACH, MAX PT
15	116-025	BALL- STEEL	67	2261535	SPRING-SLEEVE, LOWER	125	2263447	SCREW, 8-32 X 1 [2.EA]
16	303-043	THRUST DISC	68	2262706	SPRING, BOWGUARD, NIK PL	126	2261219	WIRE HARNESS AT & MAX 82.5
17	701-043	O-RING [2.EA]	69	2011365	SCREW-COLLAR/NEW KNOB	127	2267500	CABLE ASSEMBLY-RIGHT 5'
18	701-009	O-RING - THRU BOLT [2.EA]	■	2994830	BAG ASSEMBLY-MAXXUM	128	2267510	CABLE ASSEMBLY-LEFT 5'
19	830-027	SCREW -SELF THREAD 10-32 X 2 [2.EA]	*71	2263431	SCREW 1/4-20 X 3.5 PPH [6.EA]	129	2265430	CABLE JACKET 5'
20	830-094	THRU BOLT 12-24 X 10.31 [2.EA]	*72	2261713	WASHER-1/4 FLAT S/S [6.EA]	130	2265110	BOOT-CONTROL BOX
21	973-025	SPACER- BRUSH PLATE [2.EA]	*73	2263103	NUT-1/4-20 NYLOCK-JAM [6.EA]	131	2265115	BOOT-FOOT PEDAL BASE
22	990-051	WASHER- STEEL	■	2994832	BAG ASSEMBLY	132	2372100	SCREW-8-18 X 5/8 THD SS [2.EA]
23	990-052	WASHER- NYLATRON	*76	2261505	SPACER, MOTOR REST [6.EA]	133	2261714	WASHER-MAXXUM PT PDL [2.EA]
24	2317032	MOTOR ASSEMBLY 24V 4* VARS TXT 48.5	*77	2263434	SCREW, 8-18 X 1 PPH SS [2.EA]	134	2261900	BRACKET-CONDUIT
25	2032061	TUBE COMP W/CSK HOLE 43-3/4	78	2266000	BEARING BALL-STEEL	135	2263210	BRACKET-CONDUIT ADJUSTMENT
	2032062	TUBE COMP W/CSK HOLE 36"	79	2266115	BEARING CONE	136	2262720	SPRING-CONDUIT
■	1378129	PROPELLER KIT	80	2771617	COLLAR HALF-ZINC-2 PER- KIT	137	2263463	SCREW-1/4-20 X 2 STL PPH
26	2331120	PROPELLER W. WEDGE HP&RT	81	2263452	SCREW-1/4-20 X 3/4 SHCS SS [2.EA]	138	2261227	LEADWIRE VARIABLE
27	2091701	WASHER-PROP LARGE	82	2280283	CONTROL BOX COVER- MAXXUM	139	2020700	TERMINAL RING, 3/8 [2.EA]
28	2093101	NUT-PROP NYLOCK SS	83	2372100	SCREW-8-18 X 5/8 THD [4.EA]	141	2256300	TIE WRAP-5.5 BLACK
29	2092600	PIN-DRIVE SS	84	2285532	DECAL COVER, MAXXUM 74	142	2263201	CLAMP WIRE HARNESS MICRO [2.EA]
35	2263500	BOLT, SHOULDER MAXXUM [2.EA]	85	2260150	POINTER DISC TRNSLCNT RED	143	2332103	SCREW-6-20 X 3/8 THD SS
■	2991975	MOUNT, BOW ASSEMBLY, FW STD	86	2265800	DECAL-INDICATOR	144	2260316	CONNECTING WIRE VAR.SPD
36	2264206	ARM UPPER-FW STD	87	2053414	SCREW-#8-32 X 1/2 TRI-LOBE [3.EA]	145	2260312	WIRE,BLK W/WHT STRP 19 1/2
37	2293501	BUSHING, STAINLESS STEEL [4.EA]	88	2267800	GEAR-INDICATOR	146	2260323	WIRE,BLK W/GRN STP VARIAB
38	2263500	BOLT, SHOULDER MAXXUM [2.EA]	89	2264015	LIGHT/INDICATOR	147	2254031	SWITCH-MOM/OFF/COM
39	2774315	ARM-LOWER ASSEMBLY, STD, FW, EXT	90	2301310	SCREW-8-18 X 1/2 SS	148	2266412	SWITCH PLATE, PT PEDAL
40	2263912	MOTOR REST STD MAXXUM	91	2355410	SHRINK TUBE-3/8 OD X 2- [2.EA]	149	2332103	SCREW-6-20 X 3/8 THD SS [2.EA]
41	2265514	DECAL-MAXXUM,MOTOR REST [2.EA]	92	2232360	PULLEY-CABLE DRUM	150	2256301	TIE WRAP-5.5 WHITE [2.EA]
42	2771979	BOWPLATE- FW STD MACH/INSERT	93	2261730	WASHER-NYLON	151	2266414	BOTTOM PLATE, MAXXUM PT
43	2251601	ROPE 40" MAXXUM MOUNT	95	2996246	PINION/RACE ASSEMBLY	152	9953104	SCREW-8 X 1/2 SS [8.EA]
45	2261707	WASHER-3/8 X 1/2 X .016 [2.EA]	96	2263410	SCREW-8-32 X 5/16 ZN PL [2.EA]	155	2266610	DECAL-ON/OFF SWITCH
46	2236000	BEARING NYLINER- [2.EA]	97	2260513	HINGE PIN- MAX,A/T PLATE	156	2262531	CONTROL BOX-PLASTIC
47	2152610	SPRING-PIN LOCKBAR [2.EA]	98	2263010	E-RING 3/8 DIA. SHAFT [2.EA]	157	2267800	GEAR-INDICATOR [2.EA]
48	2233600	LOCK BAR- BOW MOUNT	101	2150400	PULL-GRIP	158	2262220	INDICATOR-DRIVE
49	2233602	LOCK BAR- REAR ZINC	102	2151700	WASHER-EYE SHAFT .562 OD	159	2261905	BRACKET/INDICATOR
50	2152700	LOCK BAR- LOCKBAR CAD.PLT	103	2790002	FOOT PEDAL/PLUG ASSEMBLY	160	2301310	SCREW-8-18 X 1/2 SS
51	2262703	SPRING STOP	104	2263700	PUSH-BUTTON FOOT PEDAL			
52	2153602	EYE SHAFT-2LOCKBAR STD-PLTD	105	2302732	SPRING-LOWER PEDAL SS			

* This item is part of an assembly. This item cannot be sold separately due to machining and /or assembly that is required.

Max65 & Max74

