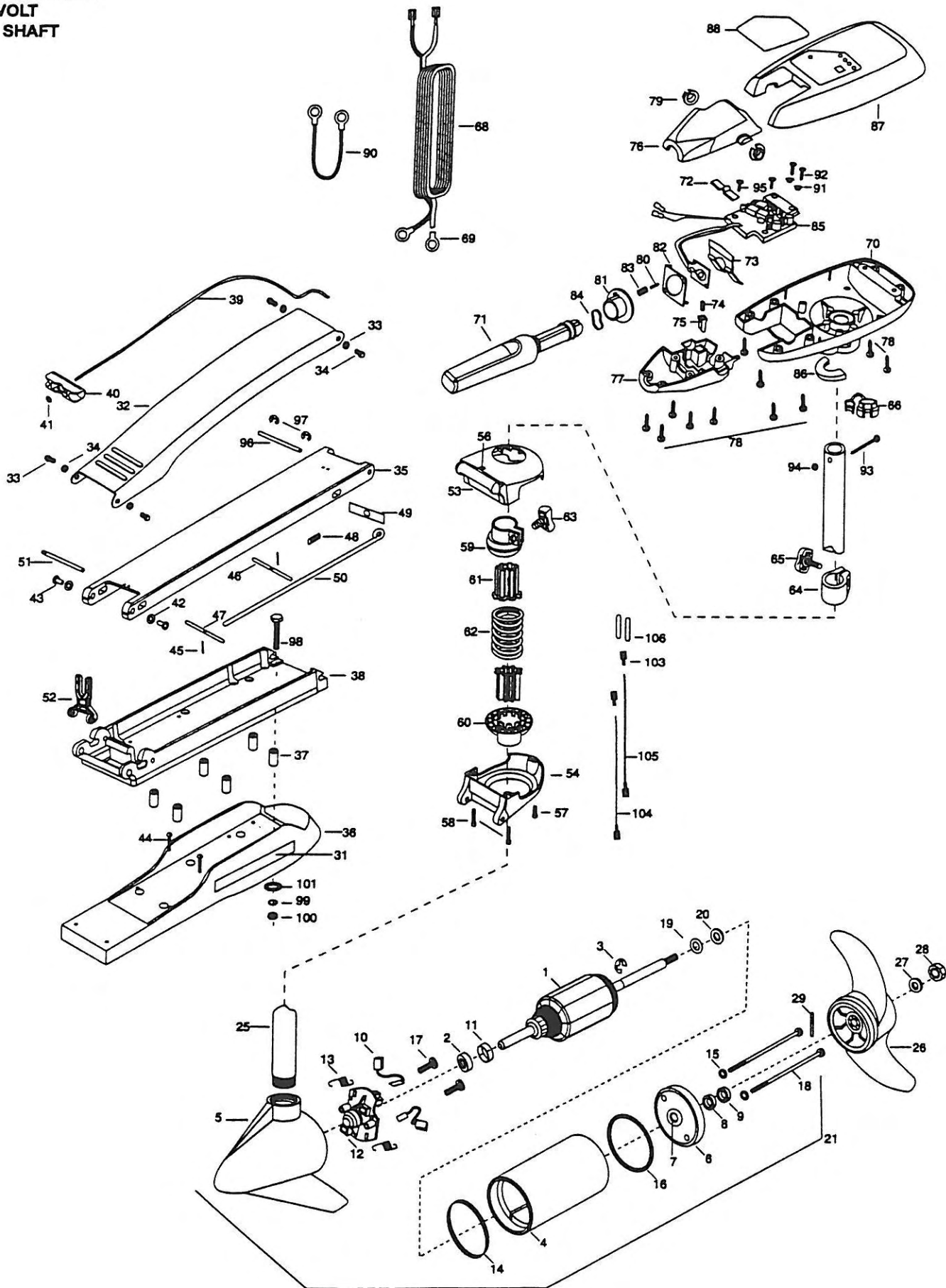


MAX65/HC 52  
65 LBS THRUST  
24 VOLT  
52" SHAFT



1	2-100-009	ARMATURE ASSEMBLY	37	2261505	SPACER, MOTOR REST [6.EA]	72	2302742	SPRING-DETENT (OFF)
2	140-010	BALL BEARING	38	2251967	BOWPLATE,STD FW-MACH	73	2302743	SPRING-DETENT (HANDLE-TILT)
3	788-015	RETAINING RING	39	2251601	ROPE (40'), MAXXUM MOUNT	74	2302745	SPRING-RELEASE BUTTON
4	431-005	CENTER HOUSING ASSEMBLY	40	2150400	PULL-GRIP	75	2303720	RELEASE BUTTON-HANDLE
5	421-065	HOUSING BRUSH END 3.62 TXT	41	2151700	WASHER-EYE SHAFT (.562 OD)	76	2060409	HANDLE (TOP HALF)
6	2-400-101	PLAIN END HOUSING ASSEMBLY	42	2261707	WASHER-3/8 X L/2 X .016 [2.EA]	77	2060415	HANDLE (LOWER HALF)
7	144-049	BEARING - FLANGE (SERVICE ONLY)	43	2236000	BEARING NYLINER- [2.EA]	78	2303412	SCREW-6-20 X 5/8 SELF TAP [11.EA]
8	880-003	SEAL	44	2263434	SCREW, 8-18 X 1 PPH [2.EA]	79	2060005	BEARING-HANDLE PIVOT [2.EA]
9	880-006	SEAL WITH SHIELD	45	2152610	SPRING-PIN (LOCKEAR) [2.EA]	80	2302600	PIN-ACTUATOR
10	188-036	BRUSH ASSEMBLY [2.EA]	46	2233600	LOCK BAR- (BOW MOUNT)	81	2302850	ACTUATOR-CAM
11	725-050	BRUSH RETENTION- PAPER TUBE	47	2233602	LOCK BAR, REAR - ZINC	82	2302851	ACTUATOR-FWD/REV
12	738-036	BRUSH PLATE W/HOLDER	48	2152700	SPRING-(LOCKBAR) CAD.PLTD	83	2302740	SPRING- (ACTUATOR)
13	975-040	SPRING - TORSION [2.EA]	49	2262703	SPRING STOP MAXXUM	84	2302741	SPRING-CAM (ZNC PLTH STEEL )
14	337-036	GASKET	50	2153602	EYE SHAFT-2 LOCKBAR STD PLTD	85	2194006	CTRL BOARD ASSEMBLY MAX65/HC
15	701-008	O-RING, THRU-BOLT [2.EA]	51	2260506	HINGE-PIN (HEADLESS) ZINC	86	2061512	COLLAR-CTRL BOX (FRS-WTR)
16	701-081	O-RING	52	2293811	YOKE,MAX MNT-POLYPROPYLENE	87	2990294	CTRL BOX CVR/DECAL ASSEMBLY
17	830-007	SCREW-8-32 [2.EA]	■	2771990	BOWGUARD ASSEMBLY-HAND CTRL	88	2185605	DECAL-COVER (MAX65/HC)
18	830-008	THRU-BOLT 10-32 X 9.2 [2.EA]	53	2771992	BRKT BASE TOP/INSERT ASSEMBLY	90	2090620	CONNECTOR CABLE- (24 VOLT)
19	990-067	WASHER- STEEL THRUST	54	2771993	BRKT BTM/BEARING FW ASEMBLY	91	2301710	WASHER-INSUL.(TRANSF.BAR) [2.EA]
20	990-070	WASHER - NYLATRON	56	2232351	EYELET-ROPE	92	2372100	SCREW-8-18 X 5/8 THD [2.EA]
21	2098030	MOTOR ASSMBLY 24V F/W 51.5* LDS	57	2263402	SCREW 1/4-20 X 3/4(ZINC)	93	2383407	SCREW-10-24 X 2 PPH ZINC
25	2032068	TUBE COMPOSITE 52*	58	2263404	SCREW-1/4-20 X 2 1/4 [2.EA]	94	2383124	NUT-10-24 NYLOCK
■	1378122	PROPELLER KIT INCL. 26-29	59	2261525	SPRING-SLEEVE UPPER	95	2301310	SCREW-8-18 X 1/2 [2.EA]
26	2091150	PROPELLER W/WEDGE	60	2261535	SPRING SLEEVE, LOWER	96	2260513	HINGE PIN (MAX,A/T) PLATED
27	2151726	WASHER- 5/16 SS	61	2264702	INSERT-TUBE (2 PER) B.MNT	97	2263010	E-RING 3/8 DIA. SHAFT [2.EA]
28	2053101	NUT-PROP NYLOC	62	2262704	SPRING, BOWGUARD, HAND CT	■	2994830	BAG ASSEMBLY-MAXXUM INCL. 98-101
29	2092600	PIN-DRIVE (95-4HP'S)	63	2011365	SCREW-COLLAR/NEW KNOB	*98	2263431	SCREW 1/4-20 X 3.5 PPH [6.EA]
31	2265514	DECAL- MAXXUM MOTOR REST	64	2031520	COLLAR-DEPTH (W/O INSERT)	*99	2261713	WASHER-1/4 FLAT S/S [6.EA]
■	2771985	MOUNT, BOW ASSEMBLY, FW	65	2011365	SCREW-COLLAR/NEW KNOB	*100	2263103	NUT-1/4-20 NYLOCK-JAM S/S [6.EA]
32	2264206	ARM-UPPER FW,STD	66	2052900	STRAIN RELIEF-C.CORD/SP.C	*101	2301720	WASHER-MOUNTING*RUBBER [6.EA]
33	2293501	BUSHING, STAINLESS STEEL [4.EA]	68	2090600	LEADWIRE (10 GA) RINGS	103	2030710	CONNECTOR BUTT- [2.EA]
34	2263500	BOLT, SHOULDER (MAXXUM) [4.EA]	69	2020700	TERMINAL RING, 3/8 [2.EA]	104	2030317	WIRE EXTENSION-18" -RED
35	2774307	ARM-LOWER ASSEMBLY, STD, FW,	70	2062585	CONTROL BOX,FW, .725 BORE	105	2030316	WIRE EXTENSION-18" -BLACK
36	2999266	MOTOR REST ASSEMBLY (STD) FW	71	2990914	HANDLE ASSEMBLY W/O U-JOINT	106	2375400	SHRINK TUBE-1/4OD X 1-3/4 [2.EA]

Max 65/H - 52"

\* This item is part of an assembly. This item cannot be sold separately due to machining and /or assembly that is required.

# Maxxum Bowmount Series Wiring Diagrams

Max65/H

