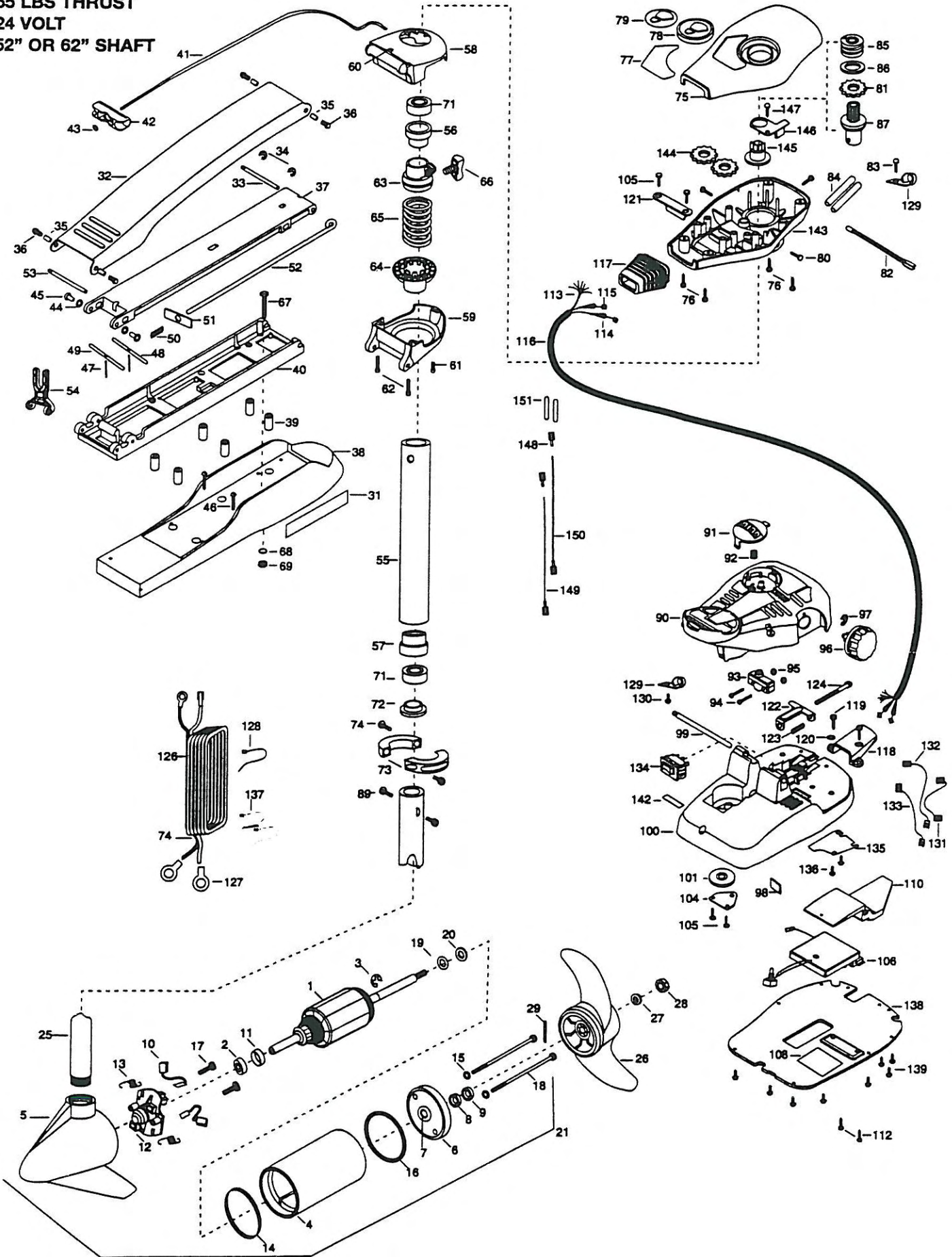


MAX65FC 52-62
65 LBS THRUST
24 VOLT
52" OR 62" SHAFT



1	2-100-009	ARMATURE ASSEMBLY	50	2152700	SPRING-(LOCKBAR) CAD.PLTD	97	2263000	E-RING THU-ARC
2	140-010	BALL BEARING	51	2262703	SPRING STOP MAXXUM	98	2266413	TENSION SCREW PLATE FTPEDAL
3	788-015	RETAINING RING	52	2153604	EYE SHAFT-2LOCKBAR LONG SS	99	2260511	PIN-PIVOT A/T FT PDL
4	431-005	CENTER HOUSING ASSEMBLY	53	2260506	HINGE-PIN (HEADLESS) ZINC	100	2992100	FT PEDAL BASE/PIN ASSEMBLY
5	421-065	HOUSING BRUSH END 3.62 TXT	54	2293811	YOKE, MAXXUM MOUNT,POLYPROPYLENE	101	2262301	PULLEY (FOOT PEDAL)
6	2-400-101	PLAIN END HOUSING ASSEMBLY	■	2772016	TUBE W/BEARING RACE ASSEMBLY 52"	104	2266400	COVER-PULLEY
7	144-049	BEARING - FLANGE (SERVICE CENTER ONLY)		2772014	TUBE W/BEARING RACE ASSEMBLY 62"	105	2301310	SCREW-8-18 X 1/2 [4.EA]
8	880-003	SEAL	55	2272067	TUBE OUTER-24" 4 HOLES-52"	106	2774011	CONTROL BOARD ASSEMBLY-MAX74
9	880-006	SEAL WITH SHIELD		2272068	TUBE OUTER-34" 4 HOLES-62"	108	2365107	INSULATING PAD (2.3 X 3.2)
10	188-036	BRUSH ASSEMBLY [2.EA]	56	2266260	BEARING RACE-(565T)	110	2264018	HEAT SINK, MACH, MAX FTL
11	725-050	BRUSH RETENTION- PAPER TUBE	57	2266220	BEARING RACE-STEEL	112	2263447	SCREW, 8-32 X 1" [2.EA]
12	738-036	BRUSH PLATE W/HOLDER	■	2771988	BOWGUARD ASSEMBLY-FT CTRL, XL	113	2261219	WIRE HARNESS AT & MAX
13	975-040	SPRING - TORSION [2.EA]	58	2771992	BRACKET BASE TOP/INSERT ASSEMBLY	114	2267500	CABLE ASSY-RIGHT (5')
14	337-036	GASKET	59	2771999	BRKT BOTTOM/BEARING FW ASSEMBLY	115	2267510	CABLE ASSY-LEFT (5')
15	701-008	O-RING, THRU-BOLT [2.EA]	60	2232351	EYELET-ROPE	116	2265430	CABLE JACKET (5')
16	701-081	O-RING	81	2263402	SCREW 1/4-20 X 3/4 ZINC	117	2265110	BOOT-CONTROL BOX
17	830-007	SCREW-8-32 [2.EA]	82	2263404	SCREW-1/4-20 X 2 1/4 [2.EA]	118	2265115	BOOT-FOOT PEDAL BASE
18	830-008	THRU-BOLT 10-32 X 9.2 [2.EA]	83	2261525	SPRING-SLEEVE UPPER	119	2372100	SCREW-8-18 X 5/8 THD [2.EA]
19	990-067	WASHER- STEEL THRUST	84	2261535	SPRING SLEEVE, LOWER	120	2261714	WASHER-MAXXUM FT PDL [2.EA]
20	990-070	WASHER - NYLATRON	65	2262706	SPRING, BOWGUARD, NIK PL	121	2261900	BRACKET-CONDUIT
21	2098031	MOTOR ASSEMBLY 24V FW 57.5" LDS 52"	66	2011365	SCREW-COLLAR/NEW KNOB	122	2263210	BRACKET-CONDUIT ADJUST
	2098030	MOTOR ASSEMBLY 24V FW 51.5" LDS 62"	■	2994830	BAG ASSEMBLY- MAXXUM	123	2262720	SPRING-CONDUIT ADJUST
25	2032067	TUBE (COMP) W/CSK HOLE- 52"	*87	2263431	SCREW 1/4-20 X 3.5 PPH [6.EA]	124	2263463	SCREW-1/4-20 X 2 STL PPH
	2032066	TUBE (COMP) W/CSK HOLE- 62"	*88	2261713	WASHER-1/4 FLAT S/S [6.EA]	126	2261227	LEADWIRE (A/T VARIABLE)
■	1378122	PROPELLER KIT	*89	2263103	NUT-1/4-20 NYLOCK-JAM S/S [6.EA]	127	2020700	TERMINAL RING, 3/8 [2.EA]
26	2091150	PROPELLER W.WEDGE	71	2266000	BEARING BALL-STEEL [2.EA]	128	2256300	TIE WRAP-5.5 BLACK
27	2151726	WASHER- 5/16 SS	72	2266115	BEARING CONE	129	2263201	CLAMP WIRE HARNESS MICRO [2.EA]
28	2053101	NUT-PROP NYLOC	73	2771615	COLLAR HALF-ZINC-2 PER KIT	130	2332103	SCREW-6-20 X 3/8 THD (SS)
29	2092600	PIN-DRIVE (95-4HP'S)	74	2263452	SCREW-1/4-24 X 3/4 [2.EA]	131	2260316	CONNECTING WIRE (VAR.SP)
31	2265514	DECAL- MAXXUM MOTOR REST	75	2260283	CONTROL BOX COVER-MAXXUM	132	2260312	WIRE,BLK W/WHT STRP 19 -1/4
■	2771974	MOUNT, BOW ASSEMBLY, FW XL BG	76	2372100	SCREW-8-18 X 5/8 THD [4.EA]	133	2260323	WIRE,BLK W/GRN STP VARIABLE
32	2264216	ARM-UPPER FW, 52" LONG	77	2265620	DECAL-COVER (MAX85/FC)	134	2254031	SWITCH-MOM/OFF/COM
33	2260513	HINGE PIN (MAX, A/T) PLATED	78	2260150	POINTER DISC TRNSLCNT RED	135	2266412	SWITCH PLATE, FT PEDAL
34	2263010	E-RING 3/8 DIA. SHAFT [2.EA]	79	2265800	DECAL-INDICATOR	136	2332103	SCREW-6-20 X 3/8 THD SS [2.EA]
35	2293501	BUSHING, STAINLESS STEEL [4.EA]	80	2053414	SCREW-8-32 X 1/2 TRI-LOBE [3. EA]	137	2256301	TIE WRAP-5.5 WHITE [2.EA]
36	2263500	BOLT, SHOULDER (MAXXUM) [4.EA]	81	2267800	GEAR-INDICATOR	138	2774510	BOTTOM PLATE, MAXXUM FT
37	2774317	ARM-LOWER ASSEMBLY, LG, FW, EXTRA [INCLUDES 41-43, 47-51]	82	2264015	LIGHT/INDICATOR	139	9953104	SCREW-8 X 1/2 (S/S) [8.EA]
38	2263913	MOTOR REST ASSEMBLY (LONG) FW	83	2301310	SCREW-8-18 X 1/2 SS	142	2266810	DECAL-ON/OFF SWITCH
39	2261505	SPACER, MOTOR REST [6.EA]	84	2355410	SHRINK TUBE-3/8 OD X 2" [2.EA]	143	2262531	CONTROL BOX-PLASTIC
40	2771978	BOWPLATE,LG MACH/ INSERT	85	2232360	PULLEY-CABLE DRUM	144	2267800	GEAR-INDICATOR [2.EA]
41	2251601	ROPE (40"), MAXXUM MOUNT	86	2261730	WASHER-NYLON A/T CON	145	2262220	INDICATOR-DRIVE
42	2150400	PULL-GRIP	87	2276204	TOP BEARING RACE/PINION ASSEMBLY	146	2261905	BRACKET/INDICATOR
43	2151700	WASHER-EYE SHAFT(.562 OD)	89	2263410	SCREW-8-32 X 5/16 [2.EA]	147	2301310	SCREW-8-18 X 1/2"
44	2261707	WASHER-3/8 X 1/2 X .016 (S/S) [2.EA]	90	2790002	FOOT PEDAL/PLUG ASSEMBLY			
45	2236000	BEARING NYLINER [2.EA]	91	2263700	PUSH-BUTTON FOOT PEDAL			
46	2263434	SCREW, 8-18 X 1" PPH [2.EA]	92	2302732	SPRING-LOWER PEDAL			
47	2152810	SPRING-PIN (LOCKBAR) [2.EA]	93	2264023	SWITCH-SEALED ASSEMBLY	148	2030710	CONNECTOR BUTT [2.EA]
48	2233600	LOCK BAR- (BOW MOUNT)	94	2262114	SCREW-MOUNTING/SWITCH [2.EA]	149	2030317	WIRE EXTENSION 18" RED
49	2233602	LOCK BAR, REAR - ZINC	95	2233100	NUT-SWITCH MOUNT [2.EA]	150	2030316	WIRE EXTENSION 18" BLACK
			96	2260160	KNOB-SPEED CONTROL (VAR)	151	2375400	SHRINK TUBE [2.EA]

Max 65 - 52" & 62"

62" ONLY

* This item is part of an assembly. This item cannot be sold separately due to machining and /or assembly that is required.

Max65 & Max74

