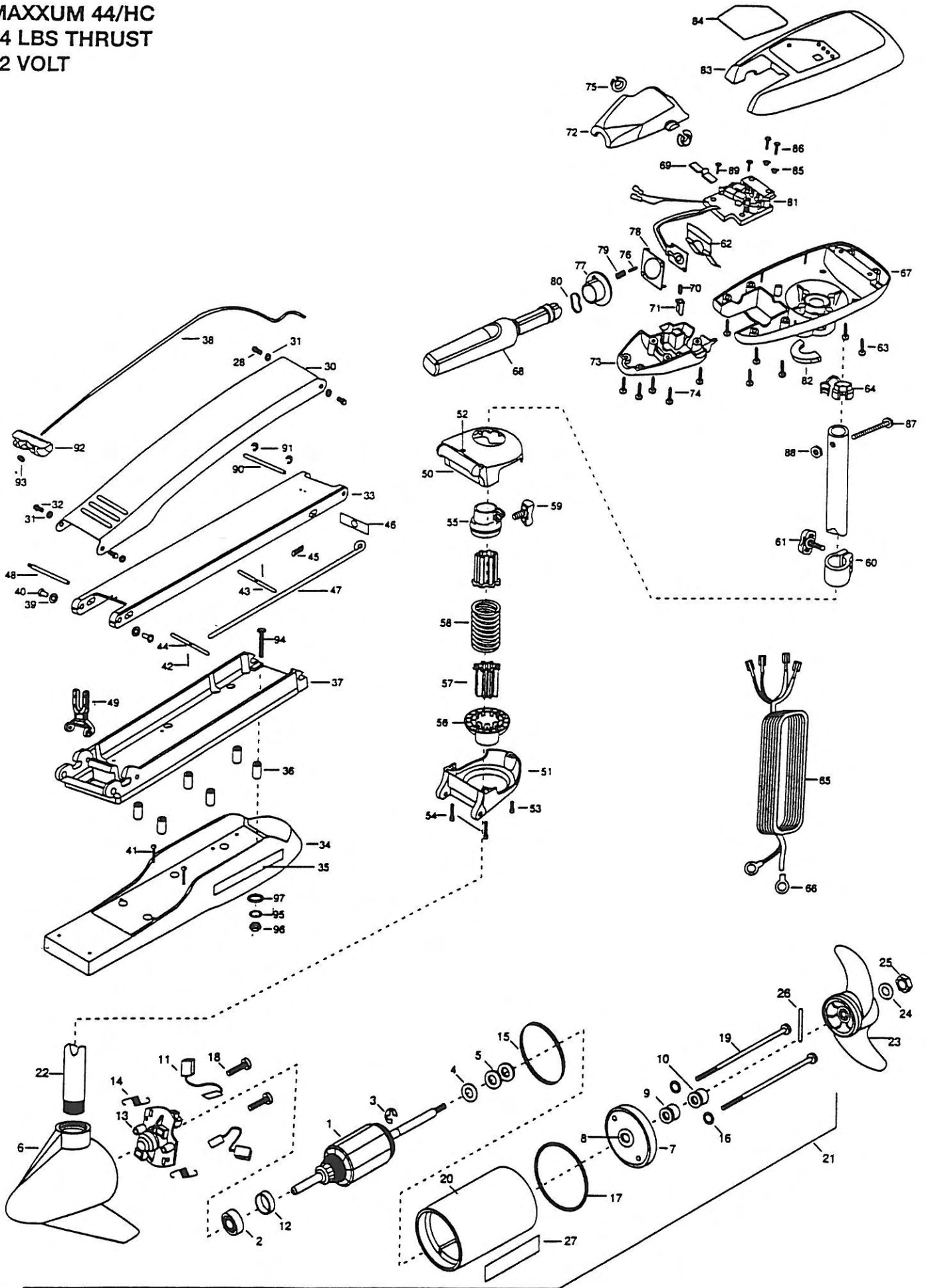


MAXXUM 44/HC
44 LBS THRUST
12 VOLT



1	2-100-095	ARMATURE ASSEMBLY 12V 3.62	34	2999266	MOTOR REST ASSEMBLY STD FW	67	2062585	CONTROL BOX- FW .725 BORE,	
2	140-010	BEARING -BALL	35	2265514	DECAL- MAXXUM MOTOR REST [2.EA]	68	2990914	HANDLE ASSEMBLY W/O U-JOINT	
3	788-015	RETAINING-RING	36	2261505	SPACER- MOTOR REST [6.EA]	69	2302742	SPRING- DETENT OFF SS	
4	990-067	WASHER- STEEL	37	2251967	BOWPLATE- STD FW-MACH	70	2302745	SPRING- RELEASE BUTTON SS	
5	990-070	WASHER- NYLATRON [2.EA]	38	2251601	ROPE (40") MAXXUM MOUNT	71	2303720	RELEASE BUTTON- HANDLE	
6	421-065	BRUSH END HOUSING ASSEMBLY	39	2261707	WASHER- 3/8X1/2X.016 [2.EA]	72	2060409	HANDLE- TOP HALF	
7	2-400-101	PLAIN END HOUSING ASSEMBLY	40	2236000	BEARING- NYLINER [2.EA]	73	2060415	HANDLE- LOWER HALF	
8	144-049	BEARING- FLANGE	41	2263434	SCREW 8-18 X 1 PPH SS [2.EA]	74	2303412	SCREW- 6-20 X 5/8 SELF TAP [5.EA]	
9	880-003	SEAL	42	2152610	SPRING- PIN LOCKBAR [2.EA]	75	2060005	BEARING- HANDLE PIVOT [2.EA]	
10	880-006	SEAL-W/SHIELD	43	2233600	LOCK BAR- BOW MOUNT	76	2302600	PIN- ACTUATOR	
11	188-036	BRUSH ASSEMBLY [2.EA]	44	2233602	LOCK BAR- REAR ZINC	77	2302850	ACTUATOR- CAM	
12	725-050	PAPER TUBE- BRUSH RETENTION	45	2152700	SPRING- LOCKBAR CAD.PLTL	78	2302851	ACTUATOR- FWD/REV	
13	738-036	BRUSH PLATE WITH HOLDER	46	2262703	SPRING STOP	79	2302740	SPRING- ACTUATOR	
14	975-040	SPRING- TORSION [2.EA]	47	2153602	EYE SHAFT- 2LOCKBAR STD-PL	80	2302741	SPRING- CAM ZNC PLTD STEEL	
15	337-036	GASKET	48	2260506	HINGE PIN- HEADLESS ZINC	81	2194000	CONTROL BOARD ASSEMBLY	
16	701-008	O-RING—THRU BOLT [2.EA]	49	2293811	YOKE- MAX MOUNT-POLYPROPYLENE	82	2061512	COLLAR- CTRL BOX FRG-WT	
17	701-081	O-RING	■	2991990	BOWGUARD ASSEMBLY- HAND CTRL	83	2990294	CTRL BOX CVR/DECAL ASSEMBLY	
18	830-007	SCREW- 8-32X1 [2.EA]	50	2991992	BRACKET BASE TOP/INST ASSEMBLY	84	2265533	DECAL COVER, MAXXUM 44/HC	
19	830-042	THRU BOLT 10-32X8.83 [2.EA]	51	2991993	BRKT BOTTOM/BEARING FW ASSEMBLY	85	2301710	WASHER-INSUL. TRANSF.BAR [2.EA]	
20	431-101	HOUSING ASSEMBLY- CENTER 3.62 TXT	52	2232351	EYELET- ROPE	86	2372100	SCREW-8-18 X 5/8 THD SS [2.EA]	
21	2099063	MOTOR-ASSEMBLY 12V 3.62 VARS TXT 51	53	2263402	SCREW 1/4-20 X 3/4 ZINC	87	2383407	SCREW-10-24 X 2 PPH ZINC	
22	2032058	TUBE COMPOSITE 42" 43.75	54	2263404	SCREW-1/4-20X2 1/4 SHCP SS [2.EA]	88	2383124	NUT-10-24 NYLOC ZINC	
	■	1378122	PROPELLER KIT	55	2261525	SPRING SLEEVE- UPPER	89	2301310	SCREW- 8-18 X 1/2 SS [2.EA]
*23	2091150	PROPELLER W.WEDGE	56	2261535	SPRING SLEEVE- LOWER	90	2260513	HINGE PIN- MAX A/T PLATED	
*24	2151726	WASHER- 5/16 STD SS	57	2264701	INSERT-TUBE [2.EA]	91	2263010	E-RING 3/8 DIA. SHAFT [2.EA]	
*25	2053101	NUT- PROP NYLOCK MED	58	2262704	SPRING- BOWGUARD HAND C	92	2150400	PULL-GRIP	
*26	2092600	PIN- DRIVE	59	2011365	SCREW- COLLAR/NEW KNOB	93	2151700	WASHER- EYE SHAFT .562 OD	
27	2006602	DECAL- LOWER UNIT PMSL22C	60	2031520	COLLAR- DEPTH W/O INSERT	■	2994830	BAG ASSEMBLY-MAXXUM	
28	2263500	BOLT- SHOULDER MAXXUM [2.EA]	61	2011365	SCREW- COLLAR/NEW KNOB	*94	2263431	SCREW 1/4-20 X 3.5 PPH [6.EA]	
	■	2771985	MOUNT- BOW ASSEMBLY, FW STD	62	2302743	SPRING- DETENT HANDLE-TILT	*95	2261713	WASHER-1/4 FLAT SS [6.EA]
30	2264206	ARM- UPPER FW STD	63	2303412	SCREW-6-20 X 5/8 SELF TAP [6.EA]	*96	2263103	NUT-1/4-20 NYLOCK-JAM SS [6.EA]	
31	2293501	BUSHING- STAINLESS STEEL [4.EA]	64	2052900	STRAIN RELIEF-C.CORD/SP.C	*97	2301720	WASHER- MOUNTING RUBBER [6.EA]	
32	2263500	BOLT- SHOULDER MAXXUM [2.EA]	65	2090600	LEADWIRE 10 GA /RINGS				
33	2994307	ARM- LOWER ASSEMBLY STD FW	66	2020700	TERMINAL RING 3/8 [2.EA]				

Max 44/H

* This item is part of an assembly. This Item cannot be sold separately due to machining and /or assembly that is required.

Max44/H

