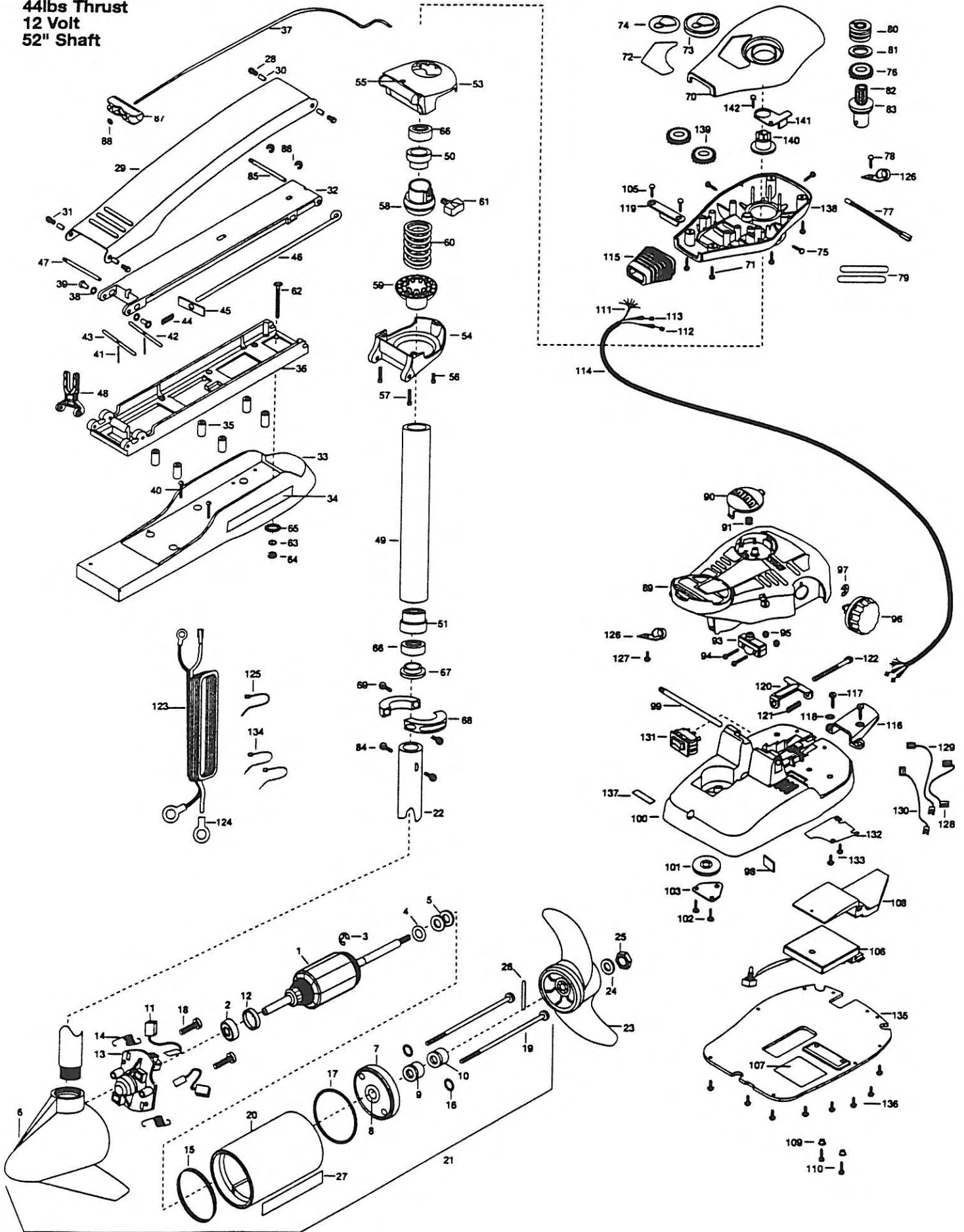


**MAXXUM 44/FC**  
44lbs Thrust  
12 Volt  
52" Shaft



1	2-100-095	ARMATURE ASSEMBLY 12V 3.62			
2	140-010	BEARING -BALL			
3	788-015	RETAINING-RING			
4	990-067	WASHER- STEEL			
5	990-070	WASHER- NYLATRON [2.EA]			
6	421-065	BRUSH END HOUSING ASSEMBLY			
7	2-400-101	PLAIN END HOUSING ASSEMBLY			
8	144-049	BEARING- FLANGE			
9	880-003	SEAL			
10	880-008	SEAL-W/SHIELD			
11	188-036	BRUSH ASSEMBLY [2.EA]			
12	725-050	PAPER TUBE- BRUSH RETENTION			
13	738-036	BRUSH PLATE WITH HOLDER			
14	975-040	SPRING- TORSION [2.EA]			
15	337-036	GASKET			
16	701-008	O-RING— THRU BOLT [2.EA]			
17	701-081	O-RING			
18	830-007	SCREW- 8-32 X 1 [2.EA]			
19	830-042	THRU BOLT 10-32 X 8.83 [2.EA]			
20	431-101	CENTER HOUSING FIELD ASSEMBLY			
21	2099064	MOTOR ASSEMBLY 12V 3.62 VARS TXT			
22	2032067	TUBE COMP 52" W/CSK HOLE			
	■ 1378122	PROPELLER KIT			
23	2091150	PROPELLER W.WEDGE			
24	2151726	WASHER-5/16 MEDIUM SS			
25	2053101	NUT-PROP NYLOCK			
26	2092600	PIN-DRIVE SS			
27	2006602	DECAL-LOWER UNIT, PMSI22C			
28	2263500	BOLT, SHOULDER MAXXUM [2.EA]			
	■ 2891874	MOUNT,BOW ASSEMBLY, FW XL BG			
29	2264216	ARM UPPER-FW 52" LONG PT			
30	2293501	BUSHING, STAINLESS STEEL [4.EA]			
31	2263500	BOLT, SHOULDER MAXXUM [2.EA]			
32	2994317	ARM-LOWER ASSEMBLY, LG, FW, EXT			
33	2263913	MOTOR REST LONG MAXXUM			
34	2265514	DECAL-MAXXUM, MOTOR REST [2.EA]			
35	2261505	SPACER, MOTOR REST [6.EA]			
36	2771978	BOWPLATE, LG, MACH/INSERT			
37	2251601	ROPE 40", MAXXUM MOUNT			
*38	2261707	WASHER-3/8 X 1/2 X .016 [2.EA]			
*39	2236000	BEARING NYLINER [2.EA]			
40	2263434	SCREW, 8-18 X 1 PPH [2.EA]			
41	2152610	SPRING-PIN LOCKBARÇ			
42	2233600	LOCK BAR- BOW MOUNT			
43	2233602	LOCK BAR, REAR - ZINC			
44	2152700	SPRING- LOCKBAR CAD.PLT			
45	2262703	SPRING STOP			
46	2153604	EYE SHAFT-2LOCKBAR LG			
47	2260506	HINGE-PIN HEADLESS ZINC			
48	2293811	YOKE,MAX MOUNT-POLYPROPYLENE			
	■ 2772016	TUBE W/BEARING RACE ASSEMBLY 24"			
*49	2272067	TUBE OUTER-24" 4 HOLES			
50	2266260	BEARING RACE- 565T			
51	2266220	BEARING RACE-STEEL			
	■ 2771918	BOWGUARD ASSEMBLY-FT CTRL,MAX			
53	2771992	BRACKET BASE TOP/INSERT ASSEMBLY			
54	2991999	BRKT BOTTOM/BEARING FW ASSEMBLY			
55	2232351	EYELET-ROPE			
56	2263402	SCREW 1/4-20 X 3/4 ZINC			
57	2263404	SCREW-1/4-20 X 2 1/4 SHCP [2.EA]			
58	2261525	SPRING-SLEEVE UPPER			
59	2261535	SPRING SLEEVE, LOWER			
60	2262706	SPRING, BOWGUARD, NIK PL			
61	2011365	SCREW- COLLAR/NEW KNOB			
	■ 2994830	BAG ASSEMBLY-MAXXUM			
*62	2263431	SCREW 1/4-20 X 3.5 PPH [6.EA]			
*63	2261713	WASHER-1/4 FLAT SS [6.EA]			
*64	2263103	NUT-1/4-20 NYLOCK-JAM S/S [6.EA]			
*65	2301720	WASHER- MOUNTING RUBBER [6.EA]			
66	2266000	BEARING BALL-STEEL [2.EA]			
67	2266115	BEARING CONE			
68	2771617	COLLAR HALF-ZINC-2 PER, KIT			
69	2263452	SCREW-1/4-20 X 3/4 SHCS [2.EA]			
70	2260283	CONTROL BOX COVER-MAXXUM			
71	2372100	SCREW-8-18 X 5/8 THD SS [4.EA]			
72	2265531	DECAL COVER, MAXXUM 44FC			
73	2260150	POINTER DISC TRNSLCNT RED			
74	2265800	DECAL-INDICATOR			
75	2053414	SCREW-#8-32 X 1/2 TRI-LOBE [3.EA]			
76	2267800	GEAR-INDICATOR			
77	2264015	LIGHT/INDICATOR			
78	2301310	SCREW-8-18 X 1/2			
79	2355410	SHRINK TUBE-3/8 OD X 2 [2.EA]			
80	2232360	PULLEY-CABLE DRUM			
81	2261730	WASHER-NYLON A/T CON B			
	■ 2776204	PINION/RACE ASSEMBLY			
*82	2267805	PINION DRIVE ZINC PLATED			
*83	2268246	TOP BEARING RACE			
84	2263410	SCREW-8-32 X 5/16 ZN PL [2.EA]			
85	2280513	HINGE PIN MAX, A/T PLATED			
86	2263010	E-RING 3/8 DIA. SHAFT [2.EA]			
87	2150400	PULL-GRIP			
88	2151700	WASHER-EYE SHAFT .562 OD			
89	2790002	FOOT PEDAL/PLUG ASSEMBLY			
90	2263700	PUSH-BUTTON FOOT PEDAL			
91	2302732	SPRING-LOWER PEDAL SS			
93	2264023	SWITCH-SEALED ASSEMBLY			
94	2262114	SCREW-MOUNTING/SWITCH [2.EA]			
95	2233100	NUT-SWITCH MOUNT [2.EA]			
96	2260160	KNOB-SPEED CONTROL VAR			
97	2263000	E-RING TRU-ARC#5133-43			
*98	2266413	TENSION SCREW PLATE FTPED			
99	2260511	PIN-PIVOT A/T FT PDL			
100	2774550	FT PEDAL BASE/PIN ASSEMBLY			
101	2262301	PULLEY- FOOT PEDAL			
102	2301310	SCREW-8-18 X 1/2 [2.EA]			
103	2266400	COVER-PULLEY STAMPING			
105	2301310	SCREW-8-18 X 1/2 [2.EA]			
106	2264006	CONTROL BOARD ASSEMBLY-12V MAX			
107	2365107	INSULATING PAD 2.3 X 3.2			
108	2264018	HEAT SINK, MACH, MAX FT			
109	2261712	SHOULDER WASHER MAXXUM FT [2.EA]			
110	2263447	SCREW, 8-32 X 1 [2.EA]			
111	2261219	WIRE HARNESS AT & MAX 82.			
112	2267500	CABLE ASSEMBLY-RIGHT (5')			
113	2267510	CABLE ASSEMBLY-LEFT (5')			
114	2265430	CABLE JACKET (5')			
115	2265110	BOOT-CONTROL BOX			
116	2265115	BOOT-FOOT PEDAL BASE			
117	2372100	SCREW-8-18 X 5/8 THD [2.EA]			
118	2261714	WASHER-MAXXUM FT PDL [2.EA]			
119	2261900	BRACKET-CONDUIT			
120	2263210	BRACKET-CONDUIT ADJUSTMEN			
121	2262720	SPRING-CONDUIT AD			
122	2263462	SCREW-1/4-20 X 2 SS PPH			
123	2261227	LEADWIRE- A/T VARIABLE			
124	2020700	TERMINAL RING, 3/8 [2.EA]			
125	2256300	TIE WRAP-5.5 BLACK			
126	2263201	CLAMP WIRE HARNESS MICRO [2.EA]			
127	2332103	SCREW-6-20 X 3/8 THD SS			
128	2260316	CONNECTING WIRE VAR SPD			
129	2260312	WIRE,BLK W/WHT STRP 19 1/4			
130	2260323	WIRE,BLK W/GRN STP VARIABLE			
131	2254031	SWITCH-MOM/OFF/COM			
132	2266412	SWITCH PLATE, FT PEDAL			
133	2332103	SCREW-6-20 X 3/8 THD SS [2.EA]			
134	2256301	TIE WRAP-5.5 WHITE [2.EA]			
135	2268414	BOTTOM PLATE MAX FOOT PDL			
136	9953104	SCREW-8 X 1/2 SS [8.EA]			
137	2266610	DECAL-ON/OFF SWITCH			
138	2262531	CONTROL BOX-PLASTIC			
139	2267800	GEAR-INDICATOR [2.EA]			
140	2262220	INDICATOR-DRIVE			
141	2261905	BRACKET/INDICATOR			
142	2301310	SCREW-8-18 X 1/2 SS			

\* This item is part of an assembly. This item cannot be sold separately due to machining and/or assembly that is required.

Max 44 - 52"

# Maxxum Bowmount Series Wiring Diagrams

Max44

