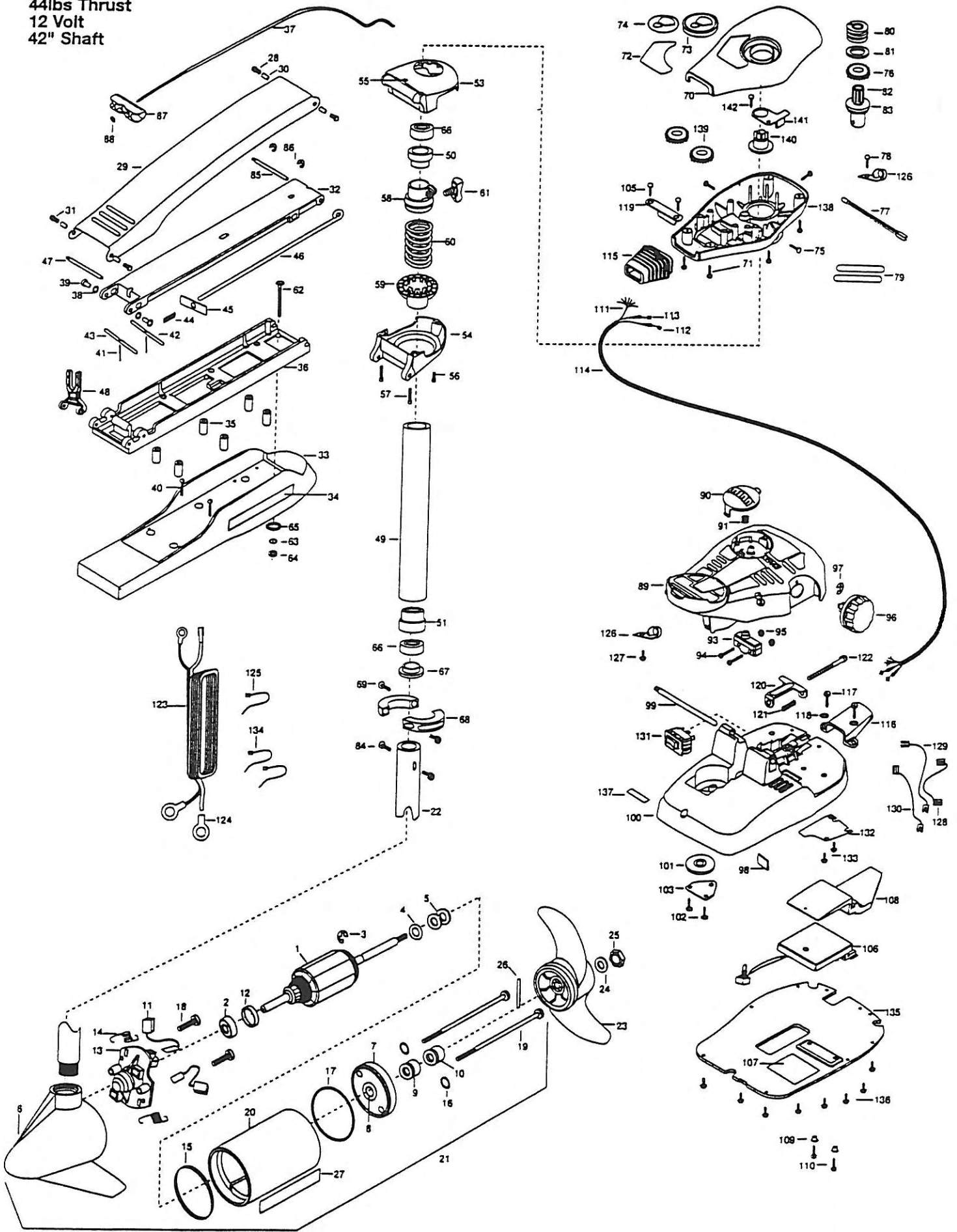


MAXXUM 44/FC
44lbs Thrust
12 Volt
42" Shaft



1	2-100-095	ARMATURE ASSEMBLY 12V 3.62	48	2293811	YOKE,MAX MOUNT-POLYPROPYLENE	95	2233100	NUT-SWITCH MOUNT [2.EA]
2	140-010	BEARING -BALL	■	2772012	TUBE W/BEARING RACE ASSEMBLY21*	96	2260160	KNOB-SPEED CONTROL VAR
3	788-015	RETAINING-RING	*49	2272069	TUBE OUTER-21" 4 HOLES	97	2263000	E-RING TRU-ARC#5133-43
4	990-067	WASHER- STEEL	50	2266260	BEARING RACE- 565T	*98	2266413	TENSION SCREW PLATE FTPED
5	990-070	WASHER- NYLATRON [2.EA]	51	2266220	BEARING RACE-STEEL	99	2260511	PIN-PIVOT A/T FT PDL
6	421-065	BRUSH END HOUSING ASSEMBLY	■	2771918	BOWGUARD ASSEMBLY-FT CTRL,MAX	100	2774550	FT PEDAL BASE/PIN ASSEMBLY
7	2-400-101	PLAIN END HOUSING ASSEMBLY	53	2771992	BRACKET BASE TOP/INSERT ASSEMBLY	101	2262301	PULLEY- FOOT PEDAL
8	144-049	BEARING- FLANGE	54	2991999	BRKT BOTTOM/BEARING FW ASSEMBLY	102	2301310	SCREW-8-18 X 1/2 [2.EA]
9	880-003	SEAL	55	2232351	EYELET-ROPE	103	2266400	COVER-PULLEY STAMPING
10	880-006	SEAL-W/SHIELD	56	2263402	SCREW 1/4-20 X 3/4 ZINC	105	2301310	SCREW-8-18 X 1/2 [2.EA]
11	188-036	BRUSH ASSEMBLY [2 EA]	57	2263404	SCREW-1/4-20X2 1/4 SHCP [2.EA]	106	2264006	CONTROL BOARD ASSEMBLY-12V MAX
12	725-050	PAPER TUBE- BRUSH RETENTION	58	2261525	SPRING-SLEEVE UPPER	107	2365107	INSULATING PAD 2.3 X 3.2
13	738-036	BRUSH PLATE WITH HOLDER	59	2261535	SPRING SLEEVE, LOWER	108	2264018	HEAT SINK, MACH, MAX FT
14	975-040	SPRING- TORSION [2 EA]	60	2262706	SPRING, BOWGUARD, NIK PL	109	2261712	SHOULDER WASHER MAXXUM FT [2 EA]
15	337-036	GASKET	61	2011365	SCREW- COLLAR/NEW KNOB	110	2263447	SCREW, 8-32 X 1 [2.EA]
16	701-008	O-RING—THRU BOLT [2.EA]	■	2994830	BAG ASSEMBLY-MAXXUM	111	2261219	WIRE HARNESS AT & MAX 82.
17	701-081	O-RING	*62	2263431	SCREW 1/4-20 X 3.5 PPH [6 EA]	112	2267500	CABLE ASSEMBLY-RIGHT (5')
18	830-007	SCREW- 8-32X1 [2.EA]	*63	2261713	WASHER-1/4 FLAT SS [6 EA]	113	2267510	CABLE ASSEMBLY-LEFT (5')
19	830-042	THRU BOLT 10-32X8.83 [2.EA]	*64	2263103	NUT-1/4-20 NYLOCK-JAM S/S [6 EA]	114	2265430	CABLE JACKET (5')
20	431-101	CENTER HOUSING FIELD ASSEMBLY	*65	2301720	WASHER- MOUNTING RUBBER [6.EA]	115	2265110	BOOT-CONTROL BOX
21	2099063	MOTOR-ASSEMBLY 12V 3.62 VARS TXT 57	66	2266000	BEARING BALL-STEEL [2 EA]	116	2265115	BOOT-FOOT PEDAL BASE
22	2032061	TUBE COMP 42" W/CSK HOLE	67	2266115	BEARING CONE	117	2372100	SCREW-8-18 X 5/8 THD [2 EA]
■	1378122	PROPELLER KIT	68	2771617	COLLAR HALF-ZINC-2 PER, KIT	118	2261714	WASHER-MAXXUM FT PDL [2 EA]
23	2091150	PROPELLER W WEDGE	69	2263452	SCREW-1/4-20 X 3/4 SHCS [2.EA]	119	2261900	BRACKET-CONDUIT
24	2051700	LOCKWASHER-PROP MEDIUM	70	2260283	CONTROL BOX COVER-MAXXUM	120	2263210	BRACKET-CONDUIT ADJUSTMEN
25	2053100	NUT-PROP MEDIUM	71	2372100	SCREW-8-18 X 5/8 THD SS [4 EA]	121	2262720	SPRING-CONDUIT AD
26	2092600	PIN-DRIVE SS	72	2265531	DECAL COVER, MAXXUM 44FC	122	2263462	SCREW-1/4-20 X 2 SS PPH
27	2006602	DECAL-LOWER UNIT, PMSI22C	73	2260150	POINTER DISC TRNSLCNT RED	123	2261227	LEADWIRE- A/T VARIABLE
28	2263500	BOLT, SHOULDER MAXXUM [2 EA]	74	2265800	DECAL-INDICATOR	124	2020700	TERMINAL RING, 3/8 [2.EA]
■	2991975	MOUNT,BOW ASSEMBLY, FW STD	75	2053414	SCREW-#8-32 X 1/2 TRI-LOBE [3 EA]	125	2256300	TIE WRAP-5.5 BLACK
29	2264206	ARM UPPER-FW 42" STD	76	2267800	GEAR-INDICATOR	126	2263201	CLAMP WIRE HARNESS MICRO [2 EA]
30	2293501	BUSHING, STAINLESS STEEL [4 EA]	77	2264015	LIGHT/INDICATOR	127	2332103	SCREW-6-20 X 3/8 THD SS
31	2263500	BOLT, SHOULDER MAXXUM [2 EA]	78	2301310	SCREW-8-18 X 1/2	128	2260316	CONNECTING WIRE VAR SPD
32	2774315	ARM-LOWER ASSEMBLY, STD,FW,EXT	79	2355410	SHRINK TUBE-3/8 OD X 2 [2 EA]	129	2260312	WIRE,BLK W/WHT STRP 19 1/4
33	2263912	MOTOR REST STD MAXXUM	80	2232360	PULLEY-CABLE DRUM	130	2260323	WIRE,BLK W/GRN STP VARIABLE
34	2265514	DECAL-MAXXUM,MOTOR REST [2.EA]	81	2261730	WASHER-NYLON A/T CON B	131	2254031	SWITCH-MOM/OFF/COM
35	2261505	SPACER, MOTOR REST [6 EA]	■	2776204	PINION/RACE ASSEMBLY	132	2266412	SWITCH PLATE, FT PEDAL
36	2771979	BOWPLATE, STD,MACH/INSERT	*82	2267805	PINION DRIVE ZINC PLATED	133	2332103	SCREW-6-20 X 3/8 THD SS [2 EA]
37	2251601	ROPE 40", MAXXUM MOUNT	*83	2266246	TOP BEARING RACE	134	2256301	TIE WRAP-5 5 WHITE [2.EA]
*38	2261707	WASHER-3/8X1/2X.016 [2.EA]	84	2263410	SCREW-8-32 X 5/16 ZN PL [2 EA]	135	2266414	BOTTOM PLATE MAX FOOT PDL
*39	2236000	BEARING NYLINER [2 EA]	85	2260513	HINGE PIN MAX,A/T PLATED	136	9953104	SCREW-8 X 1/2 SS [8 EA]
40	2263434	SCREW, 8-18 X 1 PPH [2.EA]	86	2263010	E-RING 3/8 DIA SHAFT [2 EA]	137	2266610	DECAL-ON/OFF SWITCH
41	2152610	SPRING-PIN LOCKBARÇ	87	2150400	PULL-GRIP	138	2262531	CONTROL BOX-PLASTIC
42	2233600	LOCK BAR- BOW MOUNT	88	2151700	WASHER-EYE SHAFT .562 OD	139	2267800	GEAR-INDICATOR [2.EA]
43	2233602	LOCK BAR, REAR - ZINC	89	2790002	FOOT PEDAL/PLUG ASSEMBLY	140	2262220	INDICATOR-DRIVE
44	2152700	SPRING- LOCKBAR CAD.PLT	90	2263700	PUSH-BUTTON FOOT PEDAL	141	2261905	BRACKET/INDICATOR
45	2262703	SPRING STOP	91	2302732	SPRING-LOWER PEDAL SS	142	2301310	SCREW-8-18 X 1/2 SS
46	2153602	EYE SHAFT-2LOCKBAR STD PLTD	93	2264023	SWITCH-SEALED ASSEMBLY			
47	2260506	HINGE-PIN HEADLESS ZINC	94	2262114	SCREW-MOUNTING/SWITCH [2 EA]			

* This item is part of an assembly. This item cannot be sold separately due to machining and /or assembly that is required.

Max 44 - 42n

Maxxum Bowmount Series Wiring Diagrams

Max44

