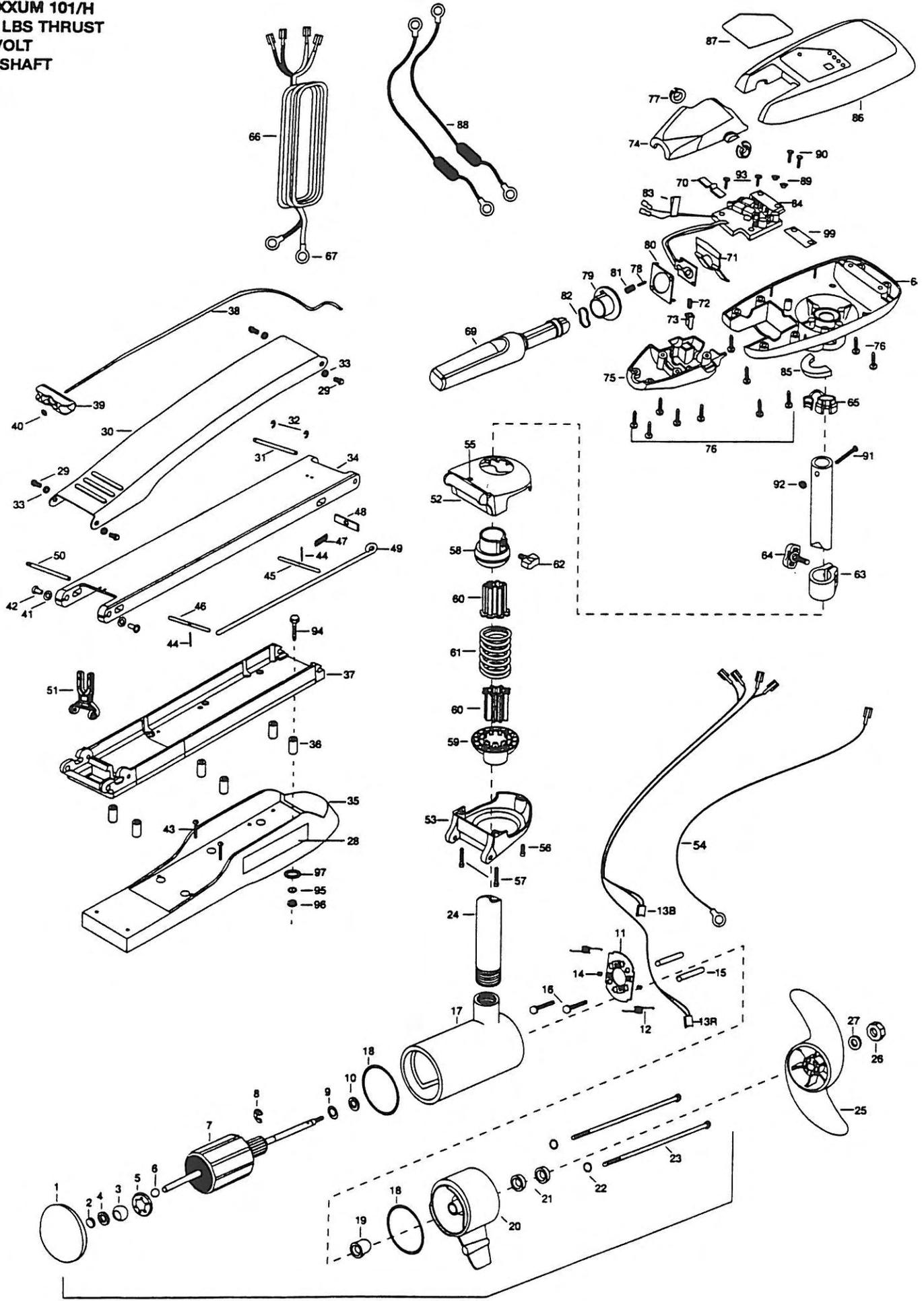


MAXXUM 101/H  
101 LBS THRUST  
36 VOLT  
52" SHAFT



1	2-400-160	PLAIN END HOUSING ASSEMBLY	33	2293501	BUSHING, STAINLESS STEEL [4.EA]	66	2090600	LEADWIRE (10 GA) RINGS
2	303-043	THRUST DISC - METAL	34	2774307	ARM - LOWER ASSEMBLY STD, FW, EXT INCL. 38-40, 44-49	67	2020700	TERMINAL RING, 3/8" [2.EA]
3	144-021	BEARING - SPHERICAL				68	2062585	CONTROL BOX, FW, .725 BORE
4	991-040	WASHER FELT	35	2263912	MOTOR REST (STD) FW	69	2990914	HANDLE ASSEMBLY W/O U-JOINT
5	784-025	BEARING RETAINER	36	2261505	SPACER, MOTOR REST [6.EA]	70	2302742	SPRING - DETENT (OFF)
6	116-025	BALL - STEEL	37	2251967	BOWPLATE, STD FW-MACH	71	2302743	SPRING - DETENT, HANDLE - TILT
7	2-100-110	ARMATURE ASSEMBLY	38	2251601	ROPE (40*), MAXXUM MOUNT	72	2302745	SPRING - RELEASE BUTTON
8	788-040	RETAINING RING	39	2150400	PULL - GRIP	73	2303720	RELEASE BUTTON - HANDLE
9	990-051	WASHER - THRUST, STEEL	40	2151700	WASHER - EYE SHAFT (.562 OD)	74	2060409	HANDLE (TOP HALF) MAXIMIZE
10	990-052	WASHER - NYLATRON	41	2261707	WASHER - 3/8" X 1/2" X .016" (S/S) [2.EA]	75	2060415	HANDLE (LOWER HALF)
11	738-004	BRUSH PLATE - 4" TERMINAL	42	2236000	BEARING NYLINER [2.EA]	76	2303412	SCREW - 6 - 20" X 5/8" SELF TAP [11.EA]
12	975-041	SPRING - TORSION [2.EA]	43	2263434	SCREW, 8 - 18" X 1" PPH S/S [2.EA]	77	2060005	BEARING - HANDLE PIVOT [2.EA]
13R	409-071	BRUSH W/RED LEADWIRE	44	2152610	SPRING - PIN (LOCKBAR) [2.EA]	78	2302600	PIN - ACTUATOR
13B	409-072	BRUSH W/BLK LEADWIRE	45	2233600	LOCK BAR - (BOW MOUNT)	79	2302850	ACTUATOR - CAM
14	830-028	SCREW 10 - 32" X .164"	46	2233602	LOCK BAR, REAR - ZINC	80	2302851	ACTUATOR - FWD/REV
15	973-025	SPACER - BRUSH PLATE [2.EA]	47	2152700	SPRING - (LOCKBAR) CAD.PLTD	81	2302740	SPRING - (ACTUATOR)
16	830-027	SCREW - SELF-TRDED 10 - 32" X 2" [2.EA]	48	2262703	SPRING STOP MAXXUM	82	2302741	SPRING - CAM (ZNC PLTD STEEL)
17	431-110	HOUSING ASSEMBLY - CENTER	49	2153602	EYE SHAFT - 2 LOCKBAR STD SS	83	2305810	TAG - AIR SWITCH LEADS
18	701-043	O-RING [2.EA]	50	2260506	HINGE - PIN (HEADLESS) ZINC	84	2264013	CTRL BOARD ASSEMBLY - RT 101/H
19	144-017	BEARING - FLANGE (SERVICE ONLY)	51	2293811	YOKE, MAX MNT - POLYPROPYLENE	85	2061512	COLLAR - CTRL BOX (FRS-WTR)
20	2-300-160	BRUSH END HOUSING ASSEMBLY	■	2994833	BAG ASSEMBLY MAX STABILIZER KIT	86	2990294	CTRL BOX CVR/DECAL ASSEMBLY
21	880-025	SEAL [2.EA]	■	2771990	BOWGUARD ASSEMBLY - HAND CTRL	87	2265622	DECAL - COVER, MAX101/H
22	701-009	O-RING - THRU BOLT [2.EA]	52	2771992	BRACKET BASE TOP/INSERT ASSEMBLY	88	2998200	CIRCUIT BREAKER ASSEMBLY 36V-101 [2.EA]
23	830-096	THRU BOLT 12 - 24" X 11.56" SS [2.EA]	53	2771993	BRACKET BOTTOM/BEARING ASSEMBLY	89	2301710	WASHER - INSUL. (TRANSF.BAR) [2.EA]
■	2317051	MTR ASSEMBLY 36V 4" VARS [INCL.1-23]	54	630-077	GREEN GROUND WIRE	90	2372100	SCREW - 8 - 18" X 5/8" THD [2.EA]
24	2032081	TUBE - CARBON COMPOSITE 52"	55	2232351	EYELET - ROPE	91	2383407	SCREW - 10 - 24" X 2"
■	1378130	PROPELLER KIT INCL. 25-27	56	2263402	SCREW - 1/4 - 20" X 3/4" (ZINC)	92	2383124	NUT - 10 - 24" NYLOCK ZINC PLT
25	2331130	PROPELLER - W/WEDGE	57	2263404	SCREW - 1/4 - 20" X 2 1/4" SCHP SS [2.EA]	93	2301310	SCREW - 8 - 18" X 1/2" [2.EA]
26	2093101	NUT - PROP, NYLOC (LARGE) MAX101	58	2281525	SPRING - SLEEVE, UPPER	■	2994830	BAG ASSEMBLY - MAXXUM
27	2091701	WASHER - PROP (LARGE) MAX 101	59	2261535	SPRING - SLEEVE, LOWER	*94	2263431	SCREW 1/4 - 20" X 3.5" PPH [6.EA]
28	2265515	DECAL - MAX MOTOR REST [2.EA]	60	2264702	INSERT - TUBE (2 PER) B.MNT [2.EA]	*95	2261713	WASHER - 1/4" FLAT S/S [6.EA]
■	2771985	MOUNT, BOW ASSEMBLY FW STD	61	2262704	SPRING, BOWGUARD, HAND CT	*96	2263103	NUT - 1/4 - 20" NYLOCK - JAM S/S [6.EA]
29	2263500	BOLT, SHOULDER (MAXXUM) [4.EA]	62	2011365	SCREW - COLLAR/NEW KNOB	*97	2301720	WASHER - MOUNTING RUBBER [6.EA]
30	2264206	ARM - UPPER FW, STD	63	2031520	COLLAR - DEPTH (W/O INSERT)			
31	2260513	HINGE PIN MAX/AT	64	2011365	SCREW - COLLAR/NEW KNOB			
32	2263010	E-RING 3/8" DIA SHAFT [2.EA]	65	2052900	STRAIN RELIEF - C.CORD/SP.C			

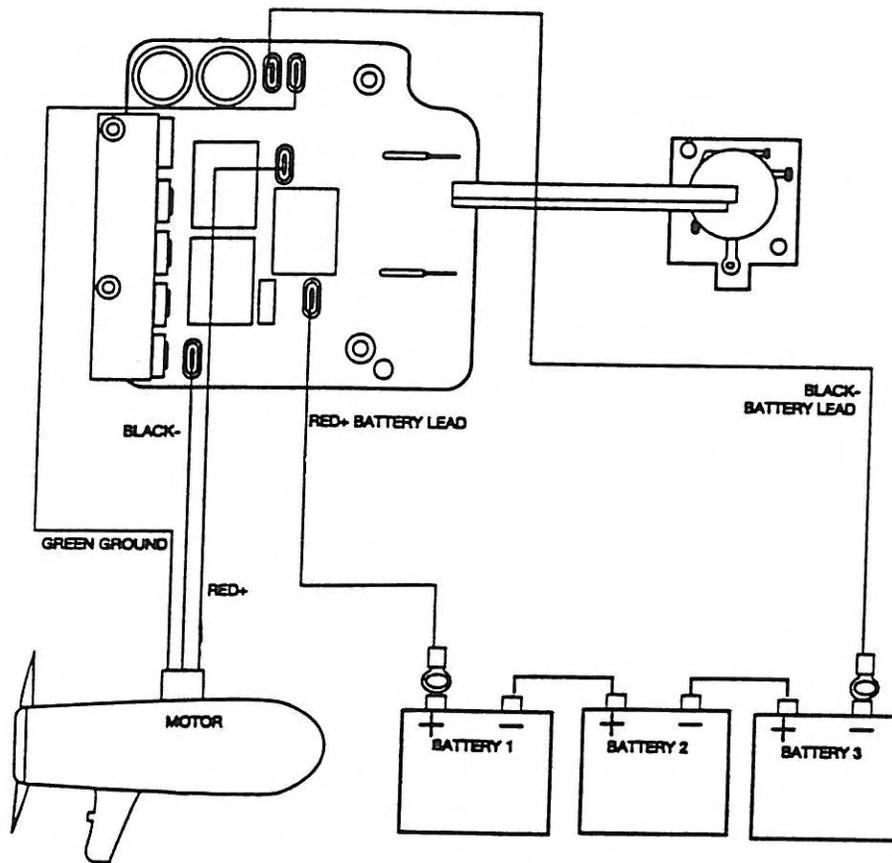
Max 101/H -52"

\* This item is part of an assembly. This item cannot be sold separately due to machining and /or assembly that is required.

P/N 2264930 REV.B 5-00

# Maxxum Bowmount Series Wiring Diagrams

Max101/H



**Note:**

If you experience depth finder interference, attach the green motor ground wire to the control board ground as shown.

**Do NOT use the crank battery as one of the three supply batteries.** Using the crank battery as one of the supply batteries will cause corrosion damage to the trolling motor, and **VOID the Warranty!**