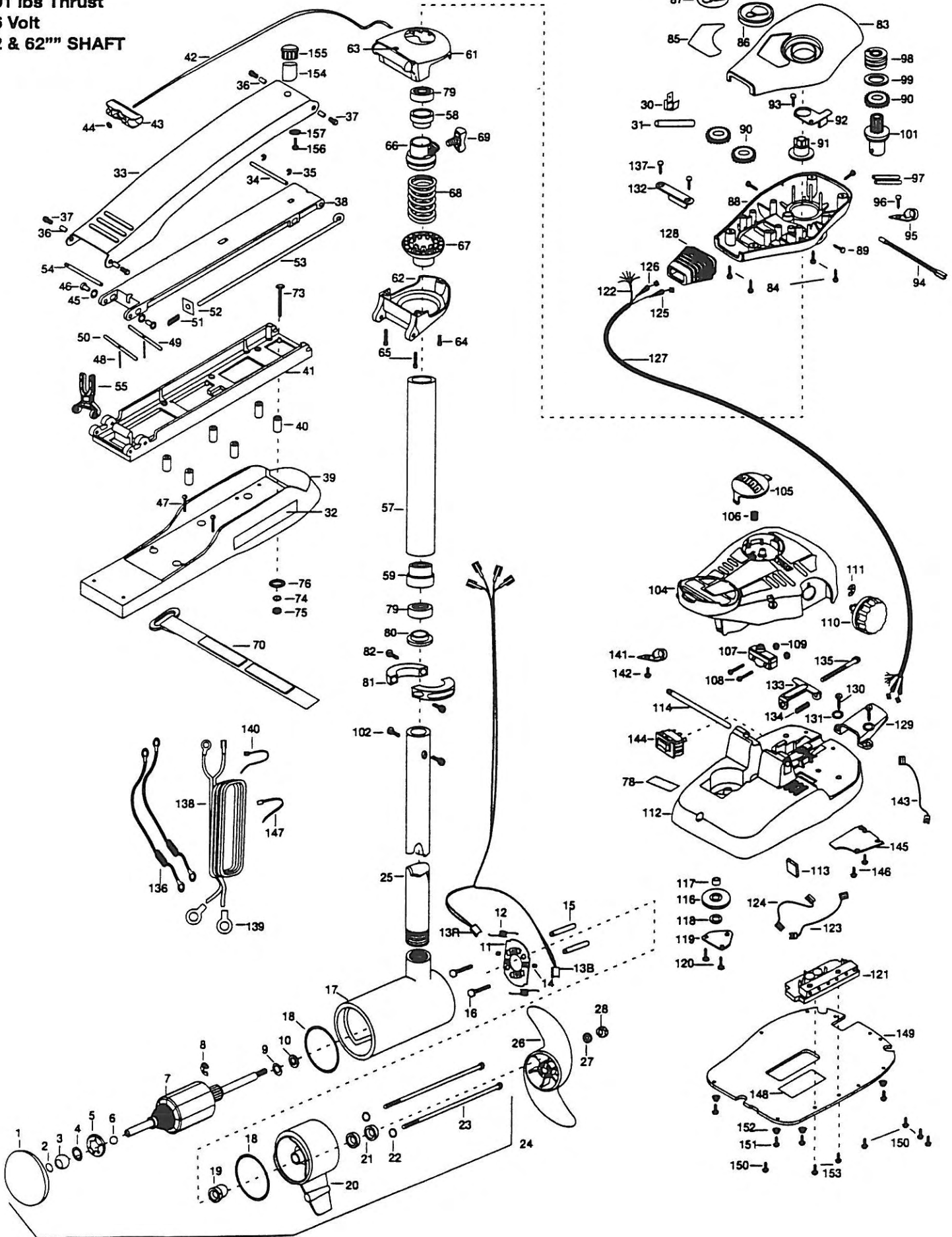


# MAXXUM 101

101 lbs Thrust

36 Volt

52 & 62" SHAFT

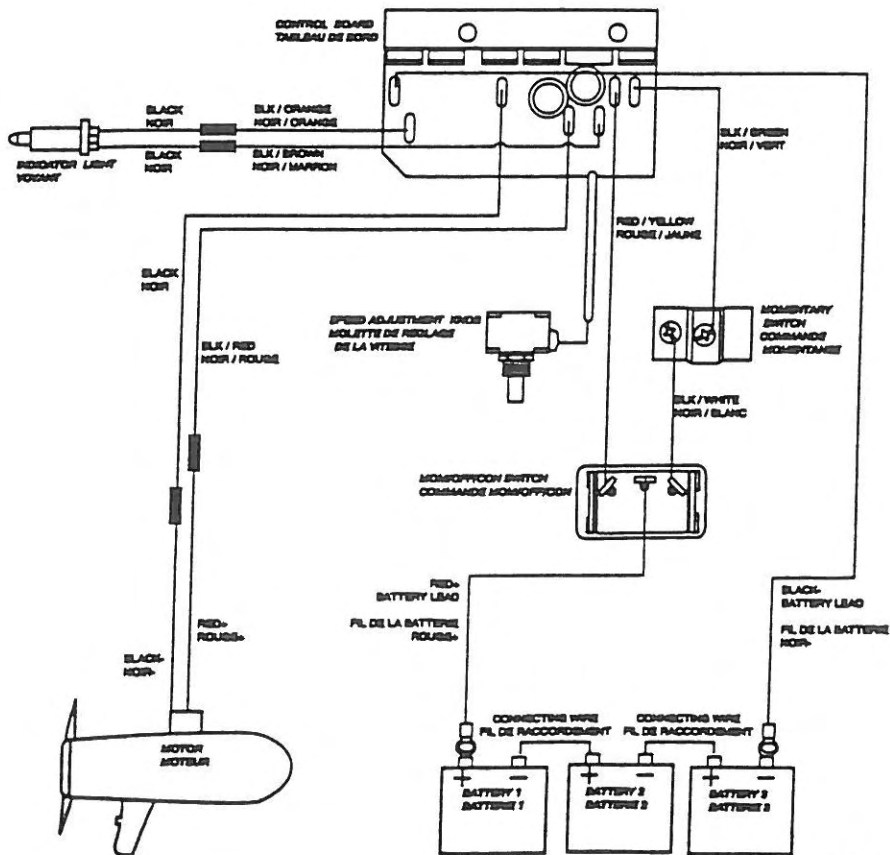


1	2-400-160	PLAIN END HOUSING ASSEMBLY						
2	303-043	THRUST DISC	53	2153604	EYE SHAFT -2LOCKBAR STD PLTD	111	2263000	E-RING TRU-ARC#5133-43
3	144-021	BEARING -SPHERICAL	54	2260506	HINGE-PIN HEADLESS ZINC	112	2774550	FOOT PEDAL BASE/PIN ASSEMBLY
4	991-040	FELT WASHER	55	2293811	YOKE, MAXXUM MOUNT POLYPROPYLENE	*113	2266413	TENSION SCREW PLATE FT
5	784-025	BEARING RETAINER	■	2772016	TUBE W/BEARING RACE ASSEMBLY 52"	114	2260511	PIN-PIVOT A/T FT PDL
6	116-025	BALL-STEEL		2772014	TUBE W/BEARING RACE ASSEMBLY 62"	116	2262300	PULLEY FOOT PEDAL
7	2-100-110	ARMATURE ASSEMBLY	*57	2272067	TUBE OUTER -24" 4 HOLES 52"	117	2260000	BEARING-PULLEY
8	788-040	RETAINING RING		2272068	TUBE OUTER -34" 4 HOLES 62"	118	2261705	WASHER-NYLATRON A/T
9	990-051	WASHER-THRUST, STEEL	58	2266260	BEARING RACE- 565T	119	2266400	COVER-PULLEY STAMPING
10	990-052	WASHER- NYLATRON	59	2266220	GEARING RACE-STEEL	120	2301310	SCREW-8-18 X 1/2" SS [2.EA]
11	2-600-142	BRUSH PLATE ASSEMBLY	■	2771988	BOWGUARD ASSEMBLY-FT CTRL,STD,MAX	121	2264012	CONTROL BOARD ASSEMBLY
12	975-041	SPRING -TORSION [2.EA]	*61	2771992	BRACKET BASE TOP/INSERT	122	2261218	WIRE HARNESS MAX 101
13R	409071	BRUSH W/RED LEADWIRE	*62	2771993	BRACKET BOTTOM/BEARING ASSEMBLY	123	2260325	WIRE, BLK W/GRN STRIPE 11 1/4"
13B	409072	BRUSH W/BLK LEADWIRE	*63	2232351	EYELET-ROPE	124	2260326	WIRE, RED W/YEL STRIPE 16 1/2"
14	830-028	SCREW 10-32 X .164"	64	2263402	SCREW 1/4-20 X 3/4"	125	2267500	CABLE ASSEMBLY-RIGHT 5'
15	973-025	SPACER -BRUSH PLATE [2.EA]	65	2263404	SCREW, 1/4-20 X 2-1/4" [2.EA]	126	2267510	CABLE ASSEMBLY-LEFT 5'
16	830-027	SCREW -SELF TREADED 10-32 X 2" [2.EA]	66	2261525	SPRING-SLEEVE UPPER	127	2265430	CABLE JACKET 5'
17	431-110	CENTER HOUSING FIELD ASSEMBLY	67	2261535	SPRING SLEEVE, LOWER	128	2265110	BOOT-CONTROL BOX
18	701-043	O-RING ( 2 REQ'D)	68	2262706	SPRING, BOWGUARD, NIK	129	2265115	BOOT-FOOT PEDAL BASE
19	144-017	BEARING -FLANGE (SERVICE ONLY)	69	2011365	SCREW-COLLAR/NEW KNOB	130	2372100	SCREW-8-18 X 5/8", THDT [2.EA]
20	2-300-160	BRUSH END HOUSING ASSEMBLY	70	2263802	STRAP- HOLD DOWN 30.5 VELCRO	131	2261714	WASHER-MAXXUM FT PDL [2.EA]
21	880-025	SEAL [2.EA]	■	2994830	BAG ASSEMBLY-MAXXUM	132	2261900	BRACKET-CONDUIT
22	701-009	O-RING -THRU BOLT [2.EA]	*73	2263431	SCREW 1/4-20 X 3.5" PPH [6.EA]	133	2263210	BRACKET-CONDUIT ADJUST
23	830-096	THRU BOLT 12-24 X 11.58" SS [2.EA]	*74	2261713	WASHER-1/4" FLAT S/S [6.EA]	134	2262720	SPRING-CONDUIT ADJUST
24	2317051	MOTOR ASSEMBLY 36V VARS TXT	*75	2263103	NUT -NYLOCK JAM 1/4-20 S/S [6.EA]	135	2263462	SCREW-1/4-20 X 2" SS PPH
25	2032067	TUBE (COMP) W/CSK HOLE 52"	*76	2301720	WASHER-MOUNTING*RUBBER [6.EA]	136	2998200	CIRCUIT BREAKER ASSEMBLY 36V [2.EA]
	2032068	TUBE (COMP) W/CSK HOLE 62"	78	2266610	DECAL -ON/OFF SWITCH	137	2301310	SCREW-8-18 X 1/2" SS [2.EA]
■	1378130	PROPELLER KIT INCL. 26, 27, 28	79	2266000	BEARING, BALL-STEEL [2.EA]	138	2261227	LEADWIRE A/T VARIABLE
*26	2331130	PROPELLER (W/WEDGE)	80	2266115	BEARING CONE	139	2020700	TERMINAL RING, 3/8" [2.EA]
*27	2091701	WASHER-PROP (LARGE) MAX 101	81	2261619	COLLAR HALF-ZINC-2 PER	140	2256300	TIE WRAP-5.5" BLACK
*28	2093101	NUT-PROP (LARGE) MAX 101	82	2263452	SCREW- 1/4-20 X 3/4 SHCP SS [2.EA]	141	2263201	CLAMP WIRE HARNESS MICRO
30	2020713	TERMINAL- ADAPTOR MAX50/S	83	2260283	CONTROL BOX COVER-MAX	142	2332103	SCREW-6-20 X 3/8" THD
31	2375400	SHRINK TUBE 1/4ODX1-3/4	84	2372100	SCREW-8-18 X 5/8" THDT [4.EA]	143	2260312	WIRE,BLK W/WHIT STRIPE 19 1/4"
■	2991997	MOUNT, BOW ASY, FW LG 52"	85	2265539	DECAL COVER, MAXXUM 101	144	2254031	SWITCH-MOM/OFF/COM
	2991998	MOUNT, BOW ASY, FW LG 62"	86	2260150	POINTER DISC TRNSLCNT	145	2266412	SWITCH PLATE, FT PEDAL
32	2265515	DECAL- MOTOR REST	87	2265800	DECAL-INDICATOR	146	2332103	SCREW-6-20 X 3/8" THD [2.EA]
33	2264216	ARM-UPPER FW LG	88	2262531	CONTROL BOX-PLASTIC	147	2256301	TIE WRAP-5.5' WHITE [2.EA]
34	2260513	HINGE PIN MAX,A/T	89	2053414	SCREW-8-32 X 1/2" TRI-LOBE [3.EA]	148	2365109	INSULATING PAD 2.4 X 4.7"
35	2263010	E-RING 3/8" DIA. SHAFT [2.EA]	90	2267800	GEAR-INDICATOR [3.EA]	149	2264511	BOTTOM PLATE, MAX 101
36	2293501	BUSHING, STAINLESS STEEL [4.EA]	91	2262220	INDICATOR-DRIVE	150	9953104	SCREW-8 X 1/2" SS [5.EA]
37	2263500	BOLT, SHOULDER [4.EA]	92	2261905	BRACKET/INDICATOR	151	2263455	SCREW #12-14 X 1/2" THR FRM [4.EA]
38	2774317	ARM-LOWER ASSEMBLY, LG, FW EXTR	93	2301310	SCREW-8-18 X 1/2" SS	152	2265126	BUMPER PAD, FOOT PEDAL [4.EA]
39	2263913	MOTOR REST LG, FW	94	2264015	LIGHT/INDICATOR	153	2053414	SCREW 8-32 X 1/2 TRI-LOBE [2.EA]
40	2261505	SPACER, MOTOR REST [6.EA]	95	2263201	CLAMP WIRE HARNESS MICRO	■	2994833	BAG ASSEMBLY- MAXXUM STABILIZER
41	2771978	BOWPLATE,LG FW MACHINED/INSERT	96	2301310	SCREW-8-18 X 1/2" SS	*154	2268400	SHAFT- SUPPORT
42	2251601	ROPE 40" MAXXUM	97	2355410	SHRINK TUBE-3/8 OD X 2" [2.EA]	*155	2268401	BUMPER- SHAFT
43	2150400	PULL-GRIP	98	2232360	PULLEY-CABLE DRUM	*156	2500001	SCREW 1/4-14 X 1" HHD SS
44	2151700	WASHER-EYE SHAFT .562"	99	2261730	WASHER-NYLON A/T	*157	2261716	WASHER- CONICAL ID.28 SS
45	2261707	WASHER-3/8 X 1/2 X.018" [2.EA]	101	2996246	TOP BEARING RACE /PINION DRIVE ASSEMBLY			
46	2236000	BEARING NYLINER [2.EA]	102	2263410	SCREW-8-32 X 5/16" ZINC PLATE [2.EA]			
47	2263434	SCREW, 8-18 X 1" PPH [2.EA]	104	2790002	FOOT PEDAL/PLUG ASSEMBLY	158	2030710	CONNECTOR BUTT [2.EA]
48	2152610	SPRING-PIN (LOCKBAR) [2.EA]	105	2263700	PUSH-BUTTON FOOT PEDAL	159	2030711	CONNECTOR BUTT
49	2233600	LOCK BAR- (BOW MOUNT)	106	2302732	SPRING-LOWER PEDAL SS	160	2030315	WIRE EXTENSION 18" GREEN
50	2233602	LOCK BAR, REAR - ZINC	107	2264023	SWITCH-SEALED ASSEMBLY	161	2030317	WIRE EXTENSION 18" RED
51	2152700	SPRING -LOCKBAR	108	2262114	SCREW-MOUNTING/SWITCH [2.EA]	162	2030316	WIRE EXTENSION 18" BLACK
*52	2262703	SPRING STOP	109	2233100	NUT-SWITCH MOUNT [2.EA]	163	2375400	SHRINK TUBE 1/4 X 1-3/4" [2.EA]
			110	2260160	KNOB-SPEED CONTROL			

\* This item is part of an assembly. This item cannot be sold separately due to machining and /or assembly that is required.

Max 101 - 52" & 62"

Max101



\*see NOTE on next page