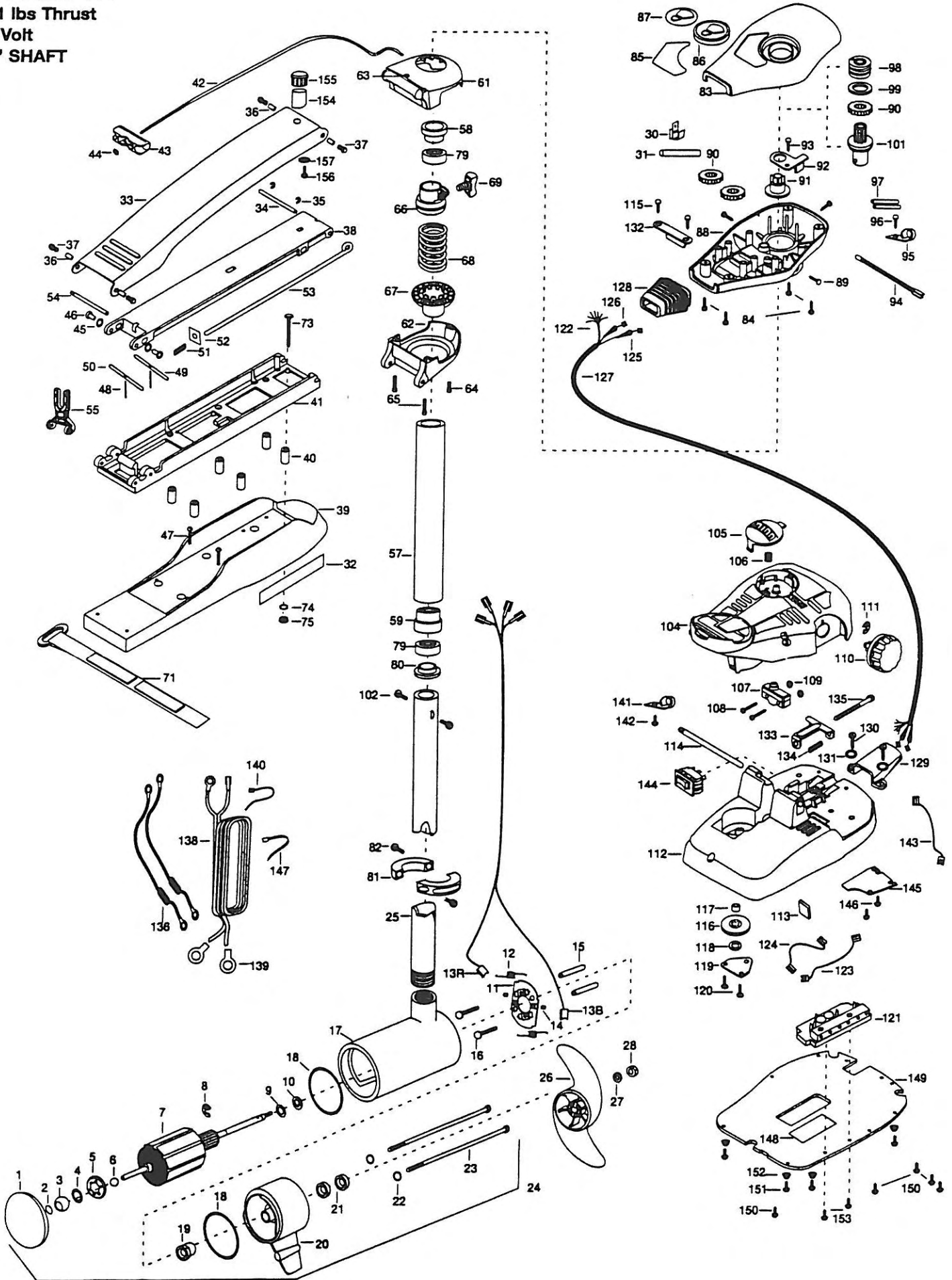


# MAXXUM 101

101 lbs Thrust

36 Volt

42" SHAFT

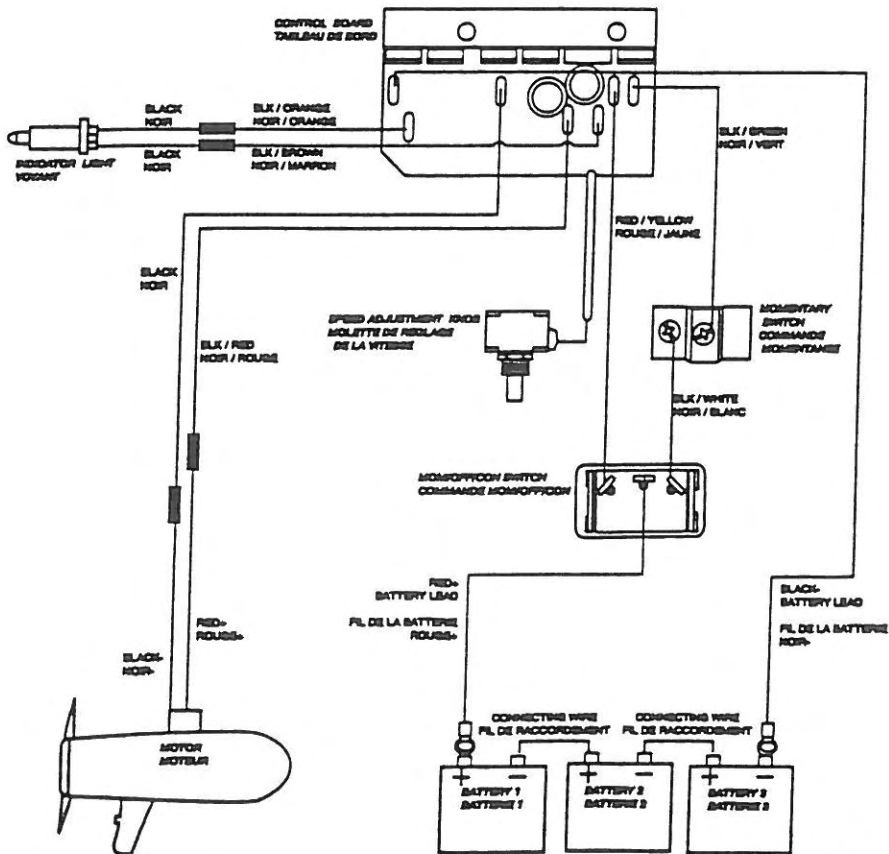


1	2-400-180	PLAIN END HOUSING ASSEMBLY	51	2152700	SPRING -LOCKBAR	108	2262114	SCREW-MOUNTING/SWITCH [2.EA]
2	303-043	THRUST DISC	*52	2262703	SPRING STOP	109	2233100	NUT-SWITCH MOUNT [2.EA]
3	144-021	BEARING -SPHERICAL	53	2153602	EYE SHAFT -2LOCKBAR STD PLTD	110	2260160	KNOB-SPEED CONTROL
4	991-040	FELT WASHER	54	2260506	HINGE-PIN HEADLESS ZINC	111	2263000	E-RING TRU-ARC #5133-43
5	784-025	BEARING RETAINER	55	2293811	YOKE, MAXXUM MOUNT POLYPROPYLENE	112	2774550	FOOT PEDAL BASE/PIN ASSEMBLY
6	118-025	BALL-STEEL	56	2772012	TUBE W/BEARING RACE ASSEMBLY	*113	2266413	TENSION SCREW PLATE FT
7	2-100-110	ARMATURE ASSEMBLY	*57	2272069	TUBE OUTER-21" 4 HOLES (ORDER 56)	114	2260511	PIN-PIVOT A/T FT PDL
8	788-040	RETAINING RING	58	2266260	BEARING RACE- 565T	115	2301310	SCREW-8-18 X 1/2" SS [2.EA]
9	990-051	WASHER-THRUST, STEEL	59	2266220	BEARING RACE-STEEL	116	2262300	PULLEY FOOT PEDAL
10	990-052	WASHER- NYLATRON	■	2991988	BG ASSEMBLY-FT CTRL,STD,MAX	117	2260000	BEARING-PULLEY
11	2-600-018	BRUSH PLATE ASSEMBLY	*61	2771992	BRACKET BASE TOP/INSERT	118	2261705	WASHER-NYLATRON A/T
12	975-041	SPRING- TORSION [2.EA]	*62	2771993	BRACKET BOTTOM/BEARING ASSEMBLY	119	2266400	COVER-PULLEY STAMPING
13R	409-071	BRUSH W/RED LEADWIRE	*63	2232351	EYELET-ROPE	120	2301310	SCREW-8-18 X 1/2" SS [2.EA]
13B	409-072	BRUSH W/BLK LEADWIRE	64	2263402	SCREW 1/4-20 X 3/4"	121	2264012	CONTROL BOARD ASSEMBLY
14	830-028	SCREW 10-32 X .164"	65	2263404	BOLT, 1/4-20 X 2" [2.EA]	122	2261218	WIRE HARNESS MAX 101
15	973-025	SPACER -BRUSH PLATE [2.EA]	66	2261525	SPRING-SLEEVE UPPER	123	2260325	WIRE,BLK W/GRN STRIPE 11 1/4"
16	830-027	SCREW -SELF TREADED 10-32 X 2" [2.EA]	67	2261535	SPRING SLEEVE, LOWER	124	2260326	WIRE,RED W/YEL STRIPE 16 1/2"
17	431-110	CENTER HOUSING FIELD ASSEMBLY	68	2262706	SPRING, BOWGUARD, NIK	125	2267500	CABLE ASSEMBLY-RIGHT 5'
18	701-043	O-RING ( 2 REQ'D)	69	2011365	SCREW-COLLAR/NEW KNOB	126	2267510	CABLE ASSEMBLY-LEFT 5'
19	144-017	BEARING -FLANGE (SERVICE ONLY)	71	2263802	STRAP -HOLD DWN 30.5" VELCRO	127	2265430	CABLE JACKET 5'
20	2-300-160	BRUSH END HOUSING ASSEMBLY	■	2994830	BAG ASSEMBLY-MAXXUM	128	2265110	BOOT-CONTROL BOX
21	880-025	SEAL [2.EA]	*73	2263431	SCREW 1/4-20 X 3.5" PPH [6.EA]	129	2265115	BOOT-BOOT PEDAL BASE
22	701-009	O-RING -THRU BOLT [2.EA]	*74	2261713	WASHER-1/4" FLAT S/S [6.EA]	130	2372100	SCREW-8-18 X 5/8", THDT [2.EA]
23	830-096	THRU BOLT 12-24 X 11.56" SS [2.EA]	*75	2263103	NUT -NYLOCK JAM 1/4-20 S/S [6.EA]	131	2261714	WASHER-MAXXUM FT PDL [2.EA]
24	2317050	MOTOR ASSEMBLY 36V VARS TXT	78	2266610	DECAL-ON/OFF SWITCH	132	2261900	BRACKET-CONDUIT
25	2032061	TUBE (COMP) W/CSK HOLE -43 3/4"	79	2266000	BEARING, BALL-STEEL [2.EA]	133	2263210	BRACKET-CONDUIT ADJUST
■	1378130	PROPELLER KIT INCL. 26,27,28	80	2266115	BEARING CONE	134	2262720	SPRING-CONDUIT ADJUST
*26	2331130	PROPELLER (W.WEDGE)	81	2261615	COLLAR HALF-ZINC-2 PER	135	2263463	SCREW-1/4-20 X 2" STL PPH
*27	2091701	WASHER-PROP (LARGE) MAX 101	82	2263452	SCREW-1/4-20 X 3/4" SHCS SS [2.EA]	136	2998200	CIRCUIT BREAKER ASSEMBLY 36V [2.EA]
*28	2093101	NUT-PROP (LARGE) MAX 101	83	2260283	CONTROL BOX COVER-MAXX	138	2261227	LEADWIRE A/T VARIABLE
30	2020713	TERMINAL- ADAPTOR MAX50/S	84	2372100	SCREW-8-18 X 5/8" THD [4.EA]	139	2020700	TERMINAL RING, 3/8" [2.EA]
31	2375400	SHRINK TUBE 1/4ODX1-3/4	85	2265539	DECAL COVER, MAXXUM 101	140	2256300	TIE WRAP-5.5" BLACK
■	2991995	MOUNT, BOW ASSEMBLY, FW STD	86	2260150	POINTER DISC TRANSLCNT	141	2263201	CLAMP WIRE HARNESS MICRO
32	2265515	DECAL- MOTOR REST	87	2265800	DECAL-INDICATOR	142	2332103	SCREW-6-20 X 3/8" THD
33	2264208	ARM-UPPER FW	88	2262531	CONTROL BOX-PLASTIC	143	2260312	WIRE,BLK W/WHT STRIPE 19 1/4"
34	2260513	HINGE PIN MAX,A/T	89	2053414	SCREW-8-32 X 1/2" TRI LOBE [3.EA]	144	2254031	SWITCH-MOM/OFF/COM
35	2263010	E-RING 3/8" DIA. SHAFT [2.EA]	90	2267800	GEAR-INDICATOR [3.EA]	145	2266412	SWITCH PLATE, FT PEDAL
36	2293501	BUSHING, STAINLESS STEEL [4.EA]	91	2262220	INDICATOR-DRIVE	146	2332103	SCREW-6-20 X 3/8" THD [2.EA]
37	2263500	BOLT, SHOULDER [4.EA]	92	2261905	BRACKET/INDICATOR	147	2256301	TIE WRAP-5.5' WHITE [2.EA]
38	2774315	ARM-LOWER ASSEMBLY, STD, FW	93	2301310	SCREW-8-18 X 1/2" SS	148	2365109	INSULATING PAD 2.4 X 4.7"
39	2263912	MOTOR REST STD, FW	94	2264015	LIGHT/INDICATOR	149	2264511	BOTTOM PLATE, MAX 101
40	2261505	SPACER, MOTOR REST [6.EA]	95	2263201	CLAMP WIRE HARNESS MICRO	150	9953104	SCREW-8 X 1/2" SS [5.EA]
41	2771979	BOWPLATE, STD FW MACHINED	96	2301310	SCREW-8-18 X 1/2" SS	151	2263455	SCREW #12-14 X 1/2" THR FRM [4.EA]
42	2251601	ROPE 40" MAXXUM	97	2355410	SHRINK TUBE-3/8 OD X 2" [2.EA]	152	2265126	BUMPER PAD, FOOT PEDAL [4.EA]
43	2150400	PULL-GRIP	98	2232360	PULLEY-CABLE DRUM	153	2053414	SCREW -8-32 X 1/2 TRI-LOBE [2.EA]
44	2151700	WASHER-EYE SHAFT .562"	99	2261730	WASHER-NYLON A/T	■	2994833	BAG ASSEMBLY- MAXXUM STABILIZER
45	2261707	WASHER-3/8 X 1/2 X.016" [2.EA]	101	2776204	TOP BEARING RACE /PINION DRIVE ASSEMBLY	*154	2268400	SHAFT- SUPPORT
46	2236000	BEARING NYLINER [2.EA]	102	2263410	SCREW-8-32 X 5/16" ZINC PLATE [2.EA]	*155	2268401	BUMPER- SHAFT
47	2263434	SCREW, 8-18 X 1" PPH [2.EA]	104	2790002	FOOT PEDAL/PLUG ASSEMBLY	*156	2263465	SCREW 1/4-10X1" ZP PLASTITE
48	2152610	SPRING-PIN (LOCKBAR) [2.EA]	105	2263700	PUSH-BUTTON FOOT PEDAL	*157	2261716	WASHER- CONICAL SS ID.28
49	2233600	LOCK BAR- (BOW MOUNT)	106	2302732	SPRING-LOWER PEDAL SS			
50	2233602	LOCK BAR, REAR - ZINC	107	2264023	SWITCH-SEALED ASSEMBLY			

Max 101 - 42"

\* This item is part of an assembly. This item cannot be sold separately due to machining and /or assembly that is required.

Max101



\*see NOTE on next page