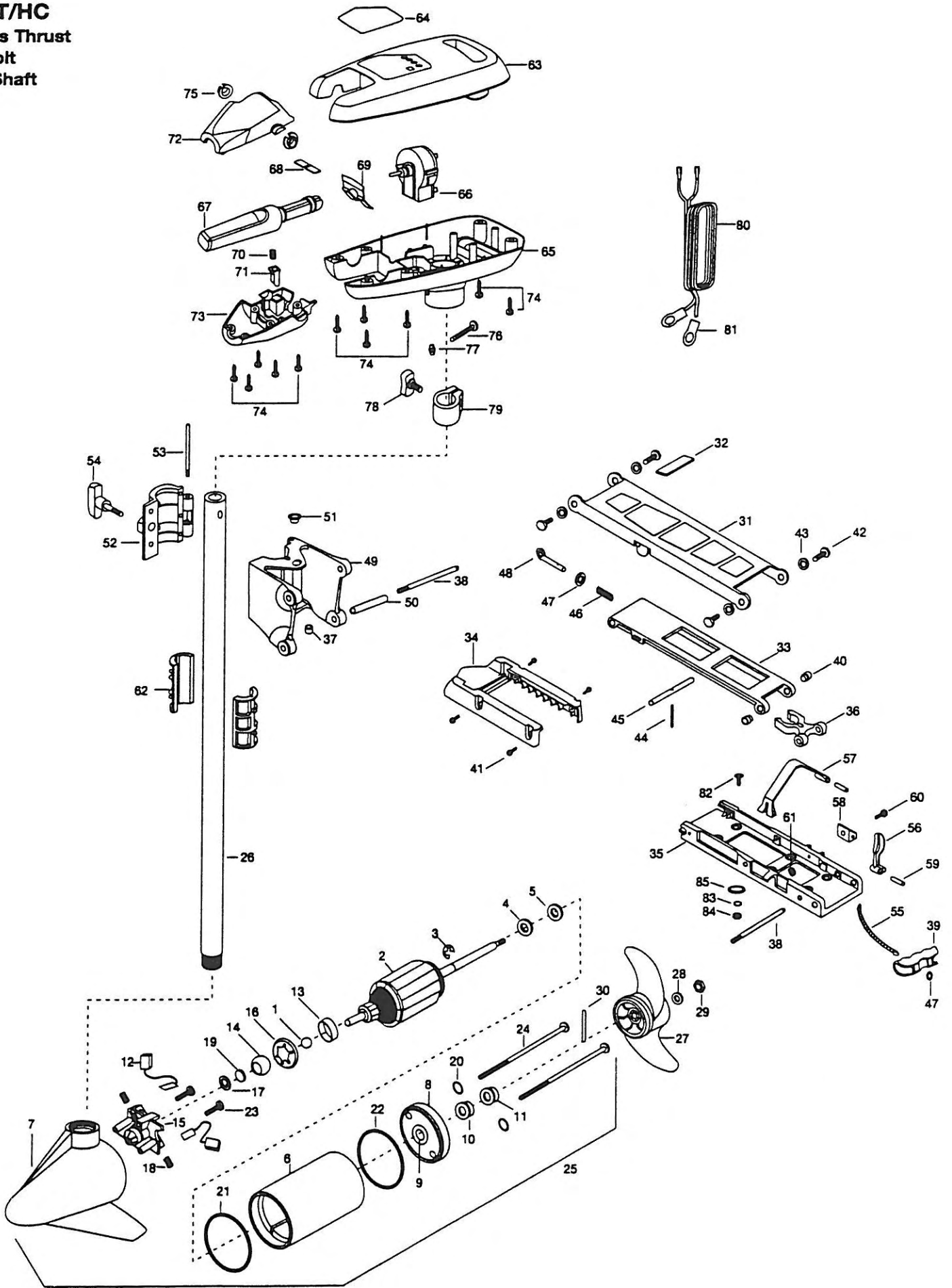


40AT/HC
40 lbs Thrust
12 Volt
42" Shaft



1	116-020	BALL - STEEL	■	2771970	STD-BOWMT FW H/CTRL ASSEMBLY	60	2263440	SCREW-10-24 X 3/4
2	2-100-001	ARM ASSEMBLY 12V 3.25 40*	31	2264221	ARM-UPPER, STD, FW	61	2333101	NUT-HEX 3HP-SS NYLOC
3	788-015	RETAINING RING	32	2265120	BUMPER UPPER ARM	62	2151531	HINGE-SLEEVE HALF-AT [2.EA]
4	990-067	WASHER - STEEL THRUST	■	2774310	ARM-LOWER ASSEMBLY FW	63	2260210	COVER-CONTROL BOX
5	990-070	WASHER - NYLATRON			INCL. 33, 44, 45, 46, 47, 48, 39, 55	64	2185606	DECAL-COVER 40AT/HC
6	431-079	HOUSING ASSEMBLY CENTER 3.25 TXT	33	2254342	ARM-LWR FW	65	2062551	CONTROL BOX PLAS W/HAND
7	2-300-132	HOUSING ASSEMBLY BRUSH END 3.25	34	2263900	MOTOR REST	66	2064023	SWITCH-FWD/REV 5SP
8	2-400-124	PLAIN END HOUSING ASSEMBLY	35	2251942	BOW PLATE-D/C	67	2990912	HANDLE ASSEMBLY-W/U-JOINT 5SP
9	144-049	BEARING - FLANGE [SERVICE ONLY]	36	2293801	TUBE LOCK-'D'	68	2302742	SPRING-DETENT OFF
10	880-003	SEAL	37	2264705	INSERT-HINGE BASE (STD MT)	69	2302743	SPRING-DETENT HANDLE-TILT
11	880-006	SEAL WITH SHIELD	38	2260508	HINGE-PIN (HEADLESS) ZINC [2.EA]	70	2302745	SPRING-RELEASE BUTTON
12	188-052	BRUSH ASSEMBLY [2.EA]	39	2150400	PULL-GRIP	71	2303720	RELEASE BUTTON-HANDLE
13	725-033	BRUSH RETENTION	40	2236000	BEARING NYLINER- [2.EA]	72	2060408	HANDLE- TOP HALF
14	144-050	BEARING - SPHERICAL	41	2303431	SCREW 1/4-20 X 5/8'PPH [4.EA]	73	2060415	HANDLE- LOWER HALF
15	738-031	BRUSH PLATE W/HOLDER 3.25 ASSEMBLY INCLUDES 14, 17, 18	42	2293511	BOLT-UPPER ARM W/OCTITE [4.EA]	74	2303412	SCREW-6-20 X 5/8 SELF TAP [11.EA]
16	784-036	BEARING RETAINER	43	2293500	BUSHING-SHOULDER UPR ARM [4.EA]	75	2060005	BEARING-HANDLE PIVOT [2.EA]
17	991-025	WASHER - FELT	44	2152610	SPRING-PIN LOCKBAR	76	2033400	SCREW-10-24 X 1-3/4
18	975-032	SPRING - COMPRESSION	45	2233600	LOCK BAR- BOW MOUNT	77	2013110	NUT-10-24 HEX (ZCP)
19	303-039	THRUST DISC - METAL	46	2152700	SPRING- LOCKBAR CAD.PLTH	78	2011365	SCREW-COLLAR/NEW KNOB
20	701-007	O-RING [2. EA]	47	2151700	WASHER-EYE SHAFT .562 OD [2.EA]	79	2031520	COLLAR-DEPTH W/O INSERT
21	701-041	O-RING	48	2153600	EYE SHAFT-CAD.PLATE	80	2090600	LEADWIRE -10 GA RINGS
22	701-039	O-RING MK406460	49	2281811	HINGE BASE-F/W	81	2020700	TERMINAL RING, 3/8' [2.EA]
23	830-001	SCREW - SELF-THREAD 8-32 X 1.7 [2.EA]	50	2231570	SLEEVE ROLLER- HINGE BRACKET	■	2994803	BAG ASSEMBLY-[INCL. 82, 83, 84, 85]
24	830-078	THRU BOLT 8-32 X 8.96 [2. EA]	51	2232350	EYELET-ROPE	*82	2153501	BOLT-MOUNTING W/STGD [4.EA]
25	2068050	MOTOR ASSEMBLY 12V3.25 5SPC TXT	52	2281821	HINGE DOOR-PAINTED F/W	*83	2151726	WASHER-5/16 [4.EA]
26	2032053	TUBE-COMPOSITE 42"	53	2262840	PIN-HINGE DOOR	*84	2153100	NUT-5/16-18NC MOUNTING [4.EA]
■	1378126	PROPELLER KIT	54	2260183	KNOB-HINGE COVER A/T FW	*85	2301720	WASHER-MOUNTING RUBBER [6.EA]
27	2061125	PROP (65 WEEDLESS WEDGE)	55	2251600	ROPE- 31'			
28	2151726	WASHER-5/16 STD SS	56	2267200	LATCH LEVER			
29	2053101	NUT-PROP NYLOCK MED	57	2263800	STRAP-HOLD DOWN			
30	2092600	PIN-DRIVE (95-4HP'S) (SS)	58	2261910	BRACKET HOLD DOWN STRAP			
			59	2260500	PIN-ROLL LATCH LEVER [2.EA]			

* This item is part of an assembly. This item cannot be sold separately due to machining and /or assembly that is required.

40AT/H & 46AT/H

