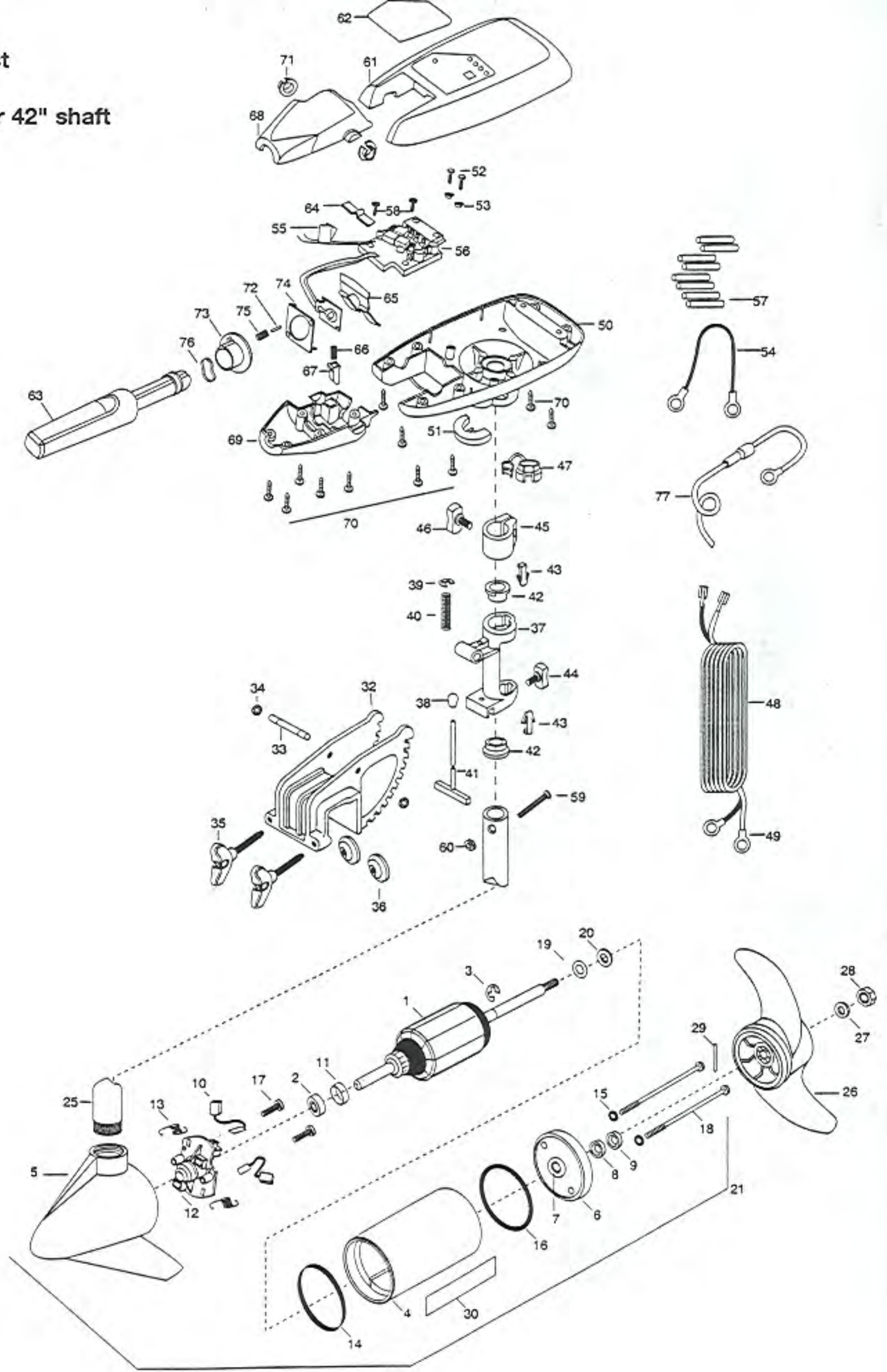


RT65/S
65lbs Thrust
24 volt
36" Shaft or 42" shaft



In the U.S.A., replacement parts may be ordered directly from MINN KOTA Parts Dept.,
 WA MARINE, 706 Holly Street, Mankato, Minnesota 56001. In Canada, parts may be
 ordered from any of the Authorized Service Centers shown on the enclosed list.
 Be sure to provide the make, model and SERIAL numbers of your motor when ordering parts.
 Please use the correct part numbers from the parts list. Payment for any parts ordered
 from the MINN KOTA parts department, may be by cash, personal check, Discover Card
 MasterCard or VISA. To order, call 1-800-227-6433 or FAX 1-800-527-4464.

Fuera de los Estados Unidos, consultar la
 lista anexa para ubicar el Centro de servicio
 autorizado MINN KOTA. No de olvidar incluir el
 número del MODELO y el número de SERIE
 del motor para el cual se solicitan las piezas.
 Usar siempre los números de pieza correctos
 indicados en la lista de piezas.

Hors de États-Unis, voir la liste ci-jointe pour
 le Centre de Service Agréé MINN KOTA le
 plus proche. Lors d'une commande, ne pas
 oublier de fournir le numéro de modèle et le
 numéro de série du moteur. Toujours mention-
 ner le numéro de pièce exact figurant sur la
 liste des pièces de rechange.

Fora da América do Norte, quaire consultar
 a lista anexa para identificar o Centro de
 Serviço Autorizado MINN KOTA. Não de
 esquecer de incluir o número do MODELO e o número
 de SÉRIE do seu motor ao pedir peças.
 Sempre use os números corretos das peças
 da lista de peças.

PARTS LIST

1	2-100-009	ARMATURE ASSEMBLY	30	2066603	DECAL- LOWER UNIT WHITE	54	2340610	CONNECTOR CABLE- (12")
2	140-010	BALL BEARING	■	2771961	BRACKET & HINGE ASSEMBLY (SW)	55	2305810	TAG-AIR SWITCH LEADS
3	788-015	RETAINING RING			INCLUDES 32-44	56	2344007	CONTROL BOARD ASSEMBLY SW
4	431-004	CENTER HOUSING ASSEMBLY	32	2771905	BRACKET ASSMBLY INCL. 32, 35, 36	57	2305400	SHRINK TUBE-3/8 OD [8.EA]
5	421-038	HOUSING BRUSH END 3.62 SW HG	33	2330500	PIN-HINGE (BRACKET)	58	2372100	SCREW-8-18 X 5/8 THD SS [2.EA]
6	2-400-092	PLAIN END HOUSING ASSEMBLY	34	2333100	NUT-SPEED -SS [2.EA]	59	2263406	SCREW-10-24 X 2 SS PPH
7	144-049	BEARING - FLANGE (SERVICE ONLY)	■	2881301	SCREW-CLAMP, WASHER, RETAINER	60	2333101	NUT-10-24 UNC-2B NYLOCK
8	880-003	SEAL			KIT INCLUDES [2.EA]	61	2300227	CONTROL BOX CVR (SW)
9	880-006	SEAL WITH SHIELD	*35	2011376	SCREW-CLAMP/NEW KNOB [2.EA]	62	2095666	DECAL-COVER (RT65/S)
10	188-036	BRUSH ASSEMBLY [2.EA]	*36	2331700	WASHER-CLAMP SCREWS [2.EA]	63	2990915	HANDLE ASSEMBLY W/O U-JOINT
11	725-050	BRUSH RETENTION- PAPER TUBE	37	2031855	HINGE-MACH. IN-HOUSE SS	64	2302742	SPRING-DETENT (OFF) SS
12	738-036	BRUSH PLATE W/HOLDER	38	2010100	KNOB-TILT	65	2302743	SPRING-DETENT (HANDLE-TILT)
13	975-040	SPRING - TORSION [2.EA]	39	2333001	E-RING- SS	66	2302745	SPRING-RELEASE BUTTON SS
14	337-036	GASKET	40	2332700	SPRING- (T-BAR) SS	67	2303720	RELEASE BUTTON-HANDLE
15	701-008	O-RING, THRU-BOLT [2.EA]	41	2033601	T-BAR (E-COAT)	68	2060411	HANDLE (TOP HALF) MAXIMIZE
16	701-081	O-RING	42	2037300	BUSHING-HINGE [2.EA]	69	2060415	HANDLE (LOWER HALF)
17	830-007	SCREW-8-32 [2.EA]	43	2062800	TENSION BLOCK- 'SNAP IN' [2.EA]	70	2303412	SCREW-6-20 X 5/8 SELF TAP [11.EA]
18	830-008	THRU-BOLT 10-32 X 9.2 [2.EA]	44	2011386	SCREW-TENSION/NEW KNOB	71	2060005	BEARING-HANDLE PIVOT [2.EA]
19	990-067	WASHER- STEEL THRUST	45	2061520	COLLAR-DEPTH	72	2302600	PIN-ACTUATOR
20	990-070	WASHER - NYLATRON	46	2011366	SCREW-COLLAR/NEW KNOB SS	73	2302850	ACTUATOR-CAM
21	2098033	MOTOR ASSEMBLY 24V S/W 51.5" LDS	47	2052900	STRAIN RELIEF-C.CORD/5PC	74	2302851	ACTUATOR-FWD/REV
25	2032057	TUBE (COMPOSITE) 36"	48	2090600	LEADWIRE (10 GA) RINGS	75	2302740	SPRING- (ACTUATOR)
	2032057	TUBE (COMPOSITE) 42"	49	2020700	TERMINAL RING, 3/8 [2.EA]	76	2302741	SPRING-CAM (ZNC PLTD STEEL)
26	1378122	PROPELLER KIT INCL. 26, 27, 28, 29	50	2062587	CONTROL BOX, SW, .725 BORE	77	2060310	CONNECT'GROUND WIRE-FUSED
27	2151726	WASHER - 5/16 SS	51	2061513	COLLAR-CTRL BOX (SLT-WTR)			
28	2053101	NUT-PROP NYLOC	52	2301310	SCREW-8-18 X 1/2 SS [2.EA]			
29	2092600	PIN-DRIVE SS	53	2301710	WASHER-INSUL.(TRANSF.BAR) [2.EA]			

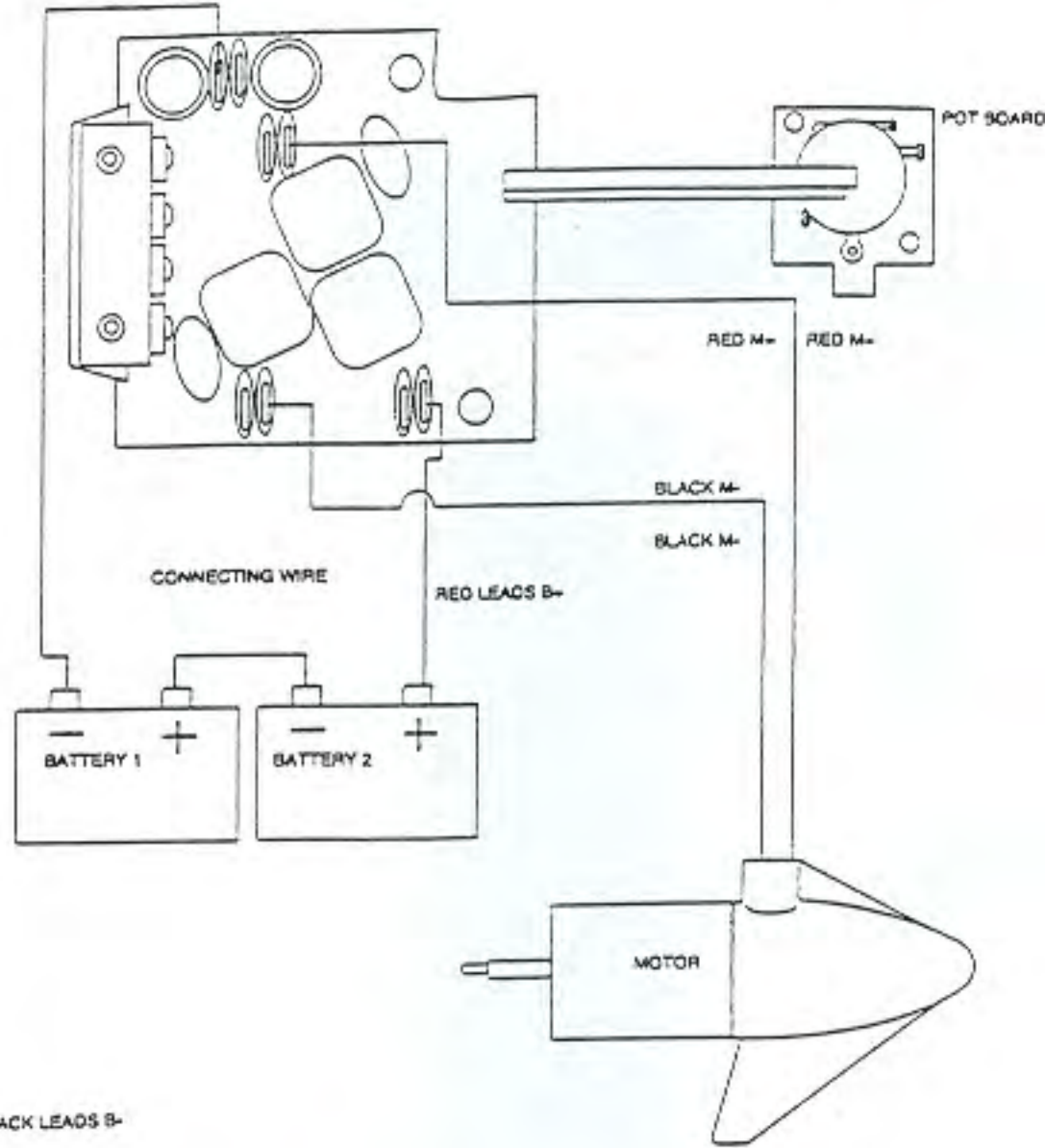
RT 65/S

* This item is part of an assembly. This item cannot be sold separately due to machining and /or assembly that is required.

RipTide Transom Series Wiring Diagrams

RT65/S

BLACK LEADS B-



RT74/S

BLACK LEADS B-

