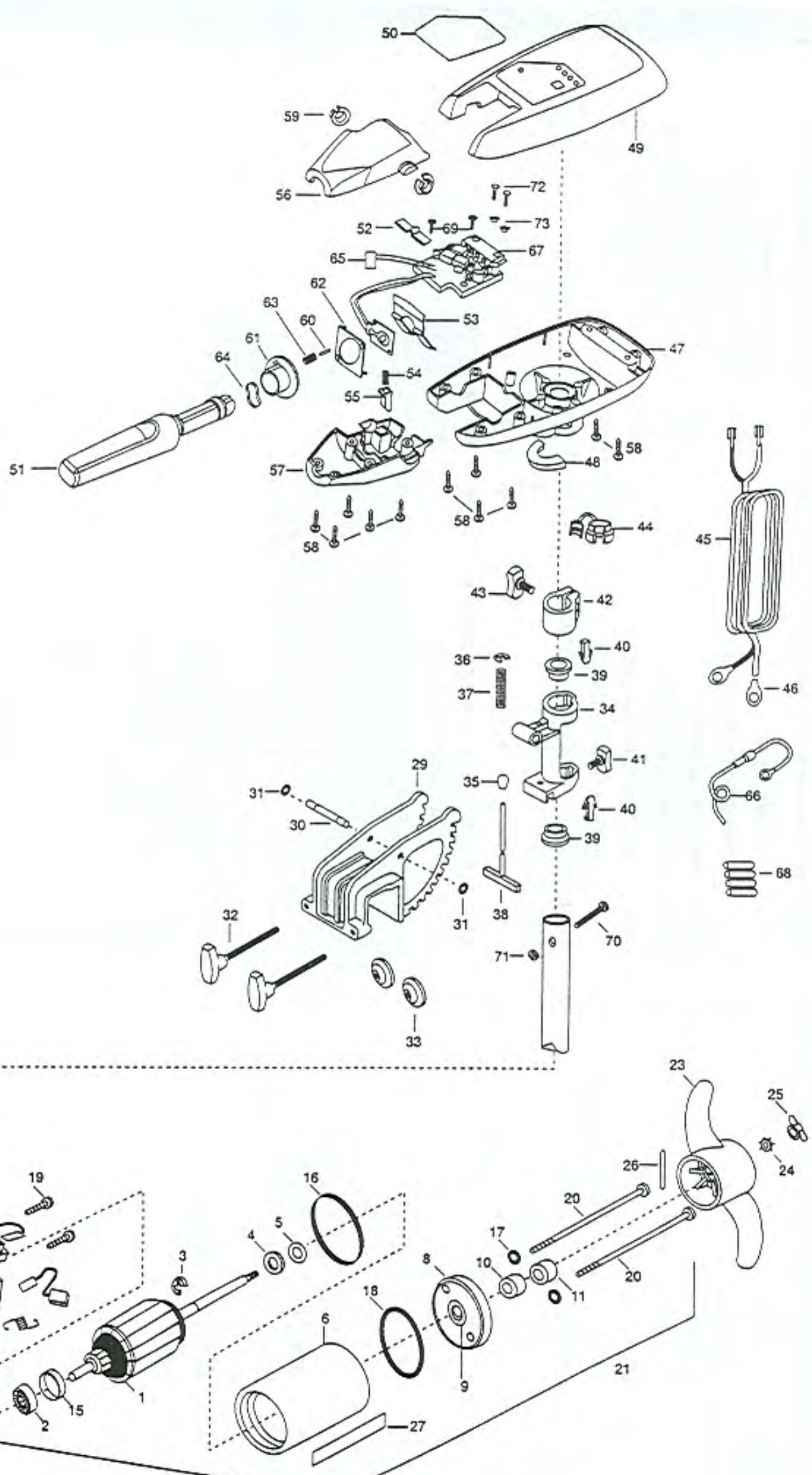


RT50/S
50 LBS. THRUST
12 VOLT
36" OR 42" SHAFT



In the U.S.A., replacement parts may be ordered directly from MINN KOTA Parts Dept., JWA MARINE, 706 Holt Road, Mankato, Minnesota 56001. In Canada, parts may be ordered from any of the Canadian Authorized Service Centers shown on the enclosed list. Be sure to provide the model and serial numbers of your motor when ordering parts. Please use the correct part numbers from the parts list. Payment for any parts ordered from the MINN KOTA parts department, may be by cash, personal check, Discover Card MasterCard or VISA. To order, call 1-800-227-6433 or FAX 1-800-527-4464.

Fuera de los Estados Unidos, consultar la lista anexa para ubicar el Centro de servicio autorizado MINN KOTA. No olvidar incluir el número del MODELO y el número de SERIE del motor para el cual se solicitan las piezas. Usar siempre los números de pieza correctos indicados en la lista de piezas.

Hors de États-Unis, voir la liste ci-jointe pour le Centre de Service Agréé MINN KOTA le plus proche. Lors d'une commande, ne pas oublier de fournir le numéro de modèle et le numéro de série du moteur. Toujours mentionner le numéro de pièce exact figurant sur la liste des pièces de rechange.

Fora da América do Norte, queira consultar a lista anexa para identificar o Centro de Serviço Autorizado MINN KOTA. Não deixe de incluir o número do MODELO e o número de SÉRIE do seu motor ao pedir peças. Sempre use os números corretos das peças da lista de peças.

1	2-100-098	ARM ASSEMBLY 12V 3.25	37	2332700	SPRING - (T-BAR)
2	140-010	BEARING - BALL	38	2033601	T-BAR (E-COAT)
3	788-015	RETAINING RING	39	2037300	BUSHING - HINGE [2.EA]
4	990-067	WASHER - STEEL THRUST	40	2062800	TENSION BLOCK - SNAP IN" [2.EA]
5	990-070	WASHER - NYLATRON	41	2011386	SCREW - TENSION/NEW KNOB
6	431-093	HOUSING ASSEMBLY CENTER 3.62 SW HG	42	2061520	COLLAR - DEPTH
7	421-038	HOUSING BRUSH END 3.25 SW HG	43	2011366	SCREW - COLLAR/NEW KNOB (SS) [2.EA]
8	2-400-092	PLAIN END HOUSING S/W	44	2052900	STRAIN RELIEF - C.CORD/SP.C
9	144-049	BEARING - FLANGE [SERVICE ONLY]	45	2090600	LEADWIRE (10 GA) RINGS
10	880-003	SEAL	46	2020700	TERMINAL RING, 3/8" [2.EA]
11	880-006	SEAL WITH SHIELD	47	2062587	CONTROL BOX, SW, .725 BORE
12	188-036	BRUSH ASSEMBLY [2. EA]	48	2061513	COLLAR - CTRL BOX
13	975-040	SPRING - TORSION	49	2300227	CONTROL BOX CVR (SW)
14	738-036	BRUSH PLATE W/HOLDER 3.25	50	2095665	DECAL - COVER (RT50/S)
15	725-050	BRUSH RETENTION	51	2990915	HANDLE ASSEMBLY W/O U-JOINT
16	337-036	GASKET	52	2302742	SPRING - DETENT (OFF) SS
17	701-008	O-RING [2. EA]	53	2302743	SPRING - DETENT (HANDLE - TILT)
18	701-081	O-RING	54	2302745	SPRING - RELEASE BUTTON (SS)
19	830-002	SCREW - SELF THREAD 8 - 32 X 1.7 [2.EA]	55	2303720	RELEASE BUTTON - HANDLE
20	830-042	THRU BOLT 8 - 32 X 8.96 [2. EA]	56	2060411	HANDLE (TOP HALF) MAXIMIZE
21	2099037	MTR ASSY 12V 51W VARS 47.1	57	2060415	HANDLE (LOWER HALF)
22	2032052	TUBE (COMPOSITE) 36"	58	2303412	SCREW - 6 - 20 X 5/8 SELF TAP [11.EA]
	2032053	TUBE (COMPOSITE) 42"	59	2060005	BEARING - HANDLE PIVOT [2.EA]
23	1378122	PROPELLER KIT INCL. 23, 24, 25, 26	60	2302600	PIN - ACTUATOR
24	2051700	LOCKWASHER - PROP (MEDIUM)	61	2302850	ACTUATOR - CAM
25	2053100	NUT - PROP (MEDIUM)	62	2302851	ACTUATOR - FWD/REV
26	2092600	PIN - DRIVE	63	2302740	SPRING - (ACTUATOR)
27	2066603	DECAL - LOWER UNIT WHITE	64	2302741	SPRING - CAM (ZNC PLTD STEEL)
■	2771961	BRACKET & HINGE ASSEMBLY (SW)	65	2305810	TAG - AIR SWITCH LEADS
29	2771905	BRACKET DIE CAST INCL. 29, 32, 33	66	2060310	CONNECT GROUND WIRE - FUSED
30	2330500	PIN - HINGE (BRACKET)	67	2334007	CONTROL BOARD ASSEMBLY
31	2333100	NUT - SPEED [2.EA]	68	2305400	SHRINK TUBE - 3/8 OD [6.EA]
32	2011376	SCREW - CLAMP/NEW KNOB [2.EA]	69	2372100	SCREW - 8 - 18 X 5/8 THD (SS) [2.EA]
33	2331700	WASHER - CLAMP SCREW 1.5 OD [2.EA]	70	2263406	SCREW - 10 - 24 X 2 (SS)
34	2031855	HINGE - MACH.	71	2333101	NUT - 10 - 24 NYLOCK UNC - 2B
35	2010100	KNOB - TILT	72	2301310	SCREW - 8 - 18 X 1/2 SS [2.EA]
36	2333001	E-RING - SS	73	2301710	WASHER - INSUL. (TRANSF.BAR) [2.EA]

RT50/S

BLACK LEADS B-

