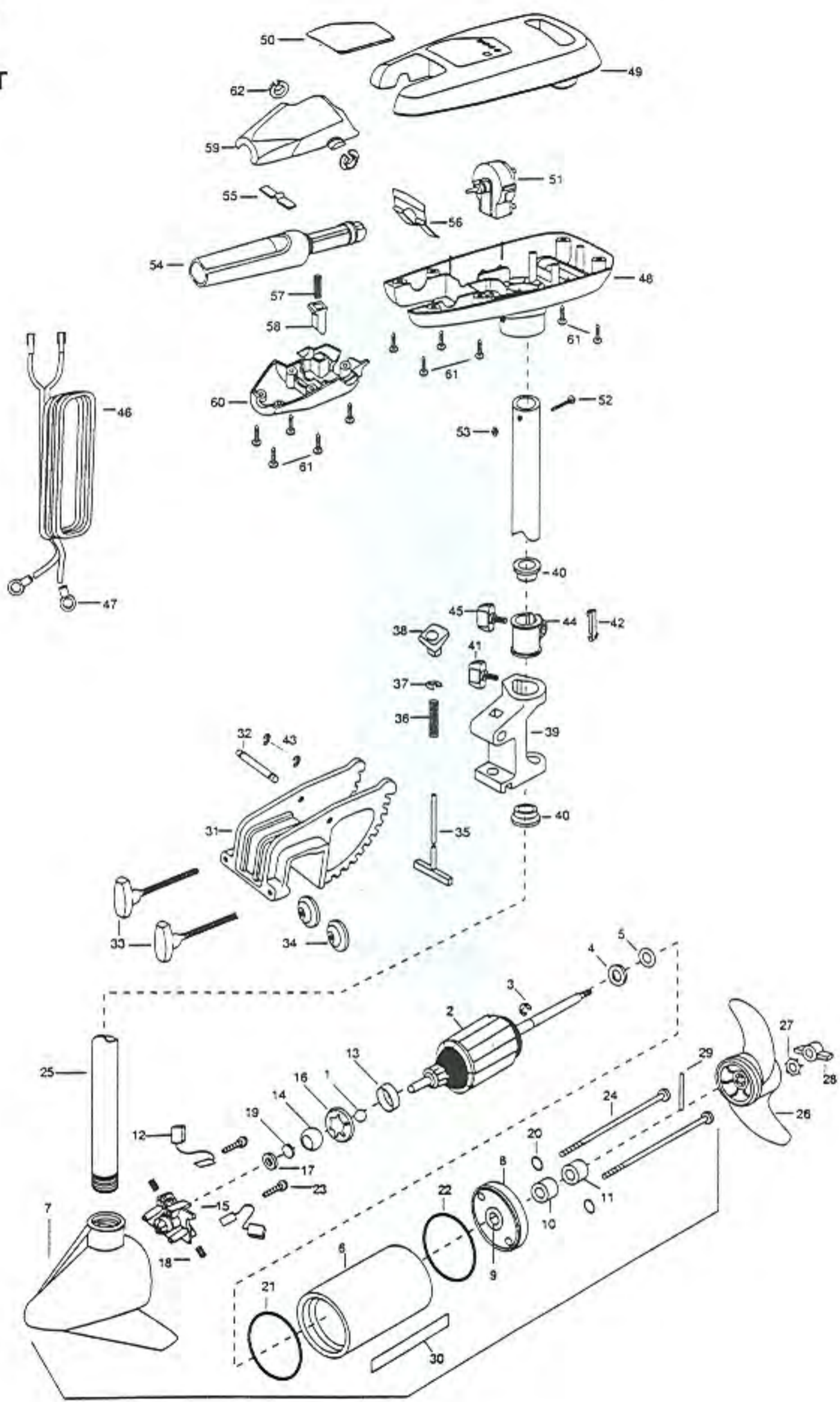


RT40/S
40 LBS. THRUST
12 VOLT
42" OR 36" SHAFT



In the U.S.A., replacement parts may be ordered directly from MINN KOTA Parts Dept., WA MARINE, 708 Holly, Mankato, Minnesota 56001. In Canada, parts may be ordered from any of the Canadian Authorized Service Centers shown on the enclosed list. Be sure to provide the MODEL and SERIAL numbers of your motor when ordering parts. Please use the correct part numbers from the parts list. Payment for any parts ordered from the MINN KOTA parts department, may be by cash, personal check, Discover Card MasterCard or VISA. To order, call 1-800-227-6433 or FAX 1-800-527-4464.

Fuera de los Estados Unidos, consultar la lista anexa para ubicar el Centro de servicio autorizado MINN KOTA. No deje de incluir el número del MODELO y el número de SERIE del motor para el cual se solicitan las piezas. Usar siempre los números de pieza correctos indicados en la lista de piezas.

Hors de États-Unis, voir la liste ci-jointe pour le Centre de Service Agréé MINN KOTA le plus proche. Lors d'une commande, ne pas oublier de fournir le numéro de modèle et le numéro de série du moteur. Toujours mentionner le numéro de pièce exact figurant sur la liste des pièces de rechange.

Fora da América do Norte, queira consultar a lista anexa para identificar o Centro de Serviço Autorizado MINN KOTA. Não deixe de incluir o número do MODELO e o número da SÉRIE do seu motor ao pedir peças. Sempre use os números corretos das peças da lista de peças.

PARTS LIST

| | | | | | | | | |
|----|-----------|-------------------------------------|-----|---------|-----------------------------------|----|---------|-----------------------------------|
| 1 | 116-020 | BALL - STEEL | 26 | 1378126 | PROP (INCL. 26-29) | 51 | 2064023 | SWITCH-FWD/REV 5 SP |
| 2 | 2-100-001 | ARM ASSEMBLY 12V 3.25 40* | 27 | 2051700 | LOCKWASHER-PROP (MEDIUM) | 52 | 2332102 | SCREW-10-24 X 1-3/4 (SS) |
| 3 | 788-015 | RETAINING RING | 28 | 2053100 | NUT-PROP (MEDIUM) | 53 | 2333101 | NUT-HEX (3HP-SS) NYLOC |
| 4 | 990-067 | WASHER - STEEL THRUST | 29 | 2092600 | PIN-DRIVE (95-4HP'S) (SS) | 54 | 2990911 | HANDLE ASSY-W/U-JOINT 5SPD |
| 5 | 990-070 | WASHER - NYLATRON | 30 | 2006649 | DECAL-LOWER UNIT, RIPTIDE | 55 | 2302742 | SPRING-DETENT(OFF) (SS) |
| 6 | 431-089 | HOUSING ASSEMBLY CENTER 3.62 SW HG | ■ | 2771804 | BRACKET & HINGE ASSEMBLY | 56 | 2302743 | SPRING-DETENT HANDLE-TILT |
| 7 | 2-300-035 | HOUSING BRUSH END 3.25 SW HG | ■ | 2771911 | BRACKET ASSEMBLY (INCL- 31,33,34) | 57 | 2302745 | SPRING-RELEASE BUTTON (SS) |
| 8 | 2-400-066 | PLAIN END HOUSING S/W | *31 | 2031910 | BRACKET PLASTIC | 58 | 2303720 | RELEASE BUTTON-HANDLE |
| 9 | 144-049 | BEARING - FLANGE [SERVICE ONLY] | 32 | 2030503 | PIN-PIVOT | 59 | 2060410 | HANDLE (TOP HALF)NO MAXIM |
| 10 | 880-003 | SEAL | *33 | 2011376 | SCREW-CLAMP/NEW KNOB (SS) [2.EA] | 60 | 2060415 | HANDLE (LOWER HALF) |
| 11 | 880-006 | SEAL WITH SHIELD | *34 | 2331700 | WASHER-CLAMP SCREW [2.EA] | 61 | 2303412 | SCREW-6-20 X 5/8 SELF TAP [11.EA] |
| 12 | 188-052 | BRUSH ASSEMBLY [2. EA] | 35 | 2033602 | T-BAR PLASTIC | 62 | 2060005 | BEARING-HANDLE PIVOT [2.EA] |
| 13 | 725-033 | BRUSH RETENTION- PAPER TUBE | 36 | 2332700 | SPRING-(T-BAR) | | | |
| 14 | 144-050 | BEARING - SPHERICAL | 37 | 2333001 | E-RING-(SS) | | | |
| 15 | 738-030 | BRUSH PLATE W/HOLDER 3.25 | 38 | 2010111 | KNOB-TILT (RED) | | | |
| 16 | 784-036 | BEARING RETAINER | 39 | 2031831 | HINGE-PLASTIC | | | |
| 17 | 991-025 | WASHER - FELT | 40 | 2037300 | BUSHING-HINGE [2.EA] | | | |
| 18 | 975-032 | SPRING - COMPRESSION | 41 | 2011386 | SCREW-TENSION/NEW KNOB(SS) | | | |
| 19 | 303-039 | THRUST DISC - METAL | 42 | 2062800 | TENSION BLOCK-'SNAP IN | | | |
| 20 | 701-007 | O-RING [2. EA] | 43 | 2263011 | E-RING 3/8 DIA. SHAFT [2.EA] | | | |
| 21 | 701-041 | O-RING | 44 | 2061520 | COLLAR-DEPTH | | | |
| 22 | 701-039 | O-RING MK406460 | 45 | 2011366 | SCREW-COLLAR/NEW KNOB(SS) [2.EA] | | | |
| 23 | 830-001 | SCREW -SELF THREAD 8-32X1.7 [2.EA] | 46 | 2050602 | LEADWIRE W/TERMINALS S/W | | | |
| 24 | 830-078 | THRU BOLT 8-32 X 8.96 [2. EA] | 47 | 2020700 | TERMINAL RING, 3/8" [2.EA] | | | |
| ■ | 2068052 | MTR ASSEMBLY 12V 3.25 | 48 | 2062551 | CONTROL BOX PLAS W/HAND | | | |
| 25 | 2032052 | TUBE (COMPOSITE) 36 | 49 | 2060263 | COVER-CTRL BOX- | | | |
| | 2032053 | TUBE (COMPOSITE) 42 | 50 | 2095664 | DECAL-COVER (RT40/S) | | | |

RT40/S

This item is part of an assembly. This item cannot be sold separately due to machining and /or assembly that is required.

RipTide Transom Series Wiring Diagrams

RT40/S

