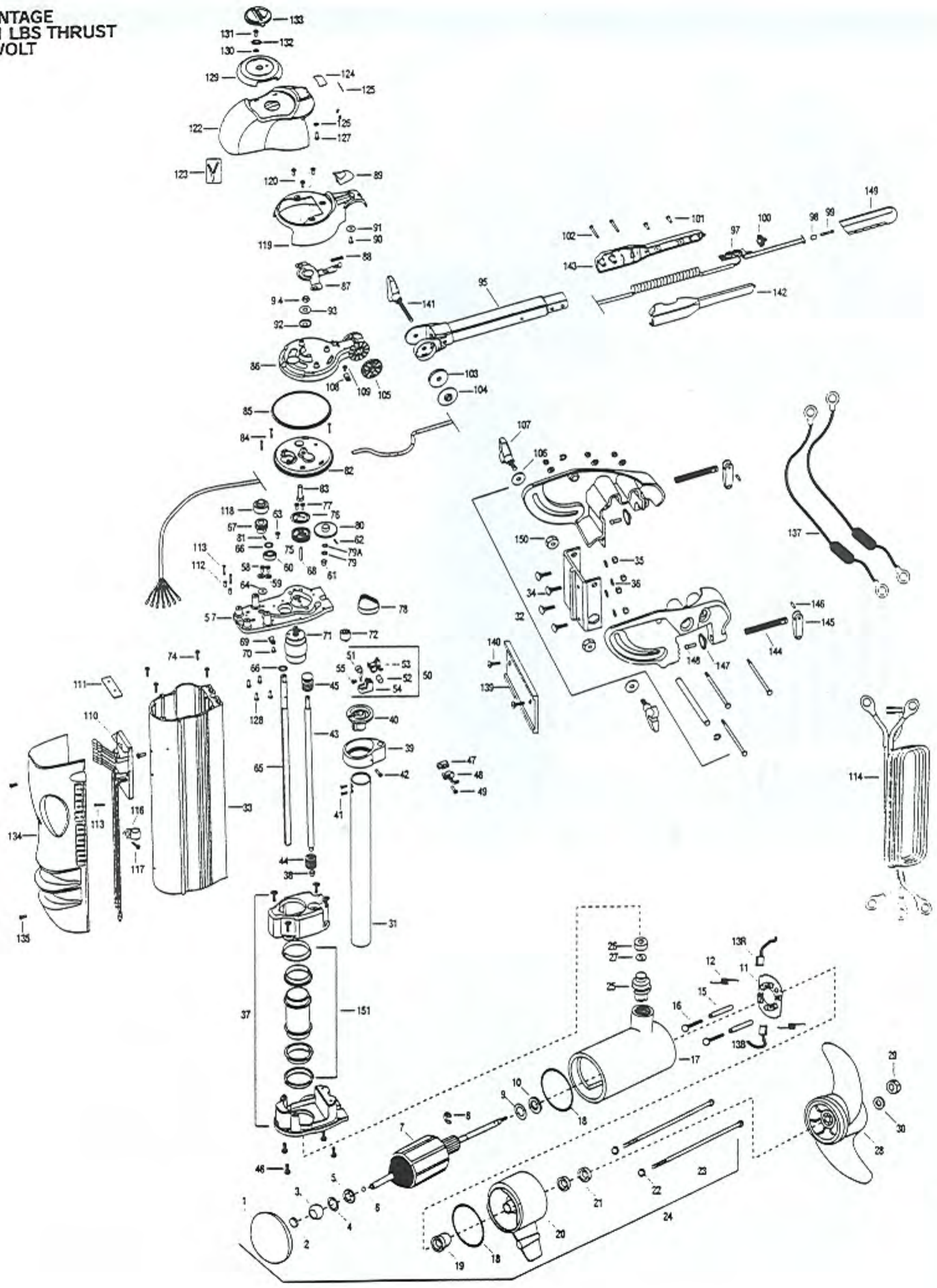


VANTAGE  
101 LBS THRUST  
36VOLT



1	2-400-160	PLAIN END HOUSING ASSEMBLY	54	2052305	WIRE GUIDE (VANTAGE)	*103	2051736	WASHER-URETHIN, ID.4 X OD 1
2	303-043	THRUST DISC- METAL	55	2053418	SCREW-#4-40X1/4 TYPE F,PPH	*104	2053115	NUT-WASHER, HANDLE ASSEMBLY
3	144-021	BEARING -SPHERICAL	■	2770405	TOP PLATE ASSEMBLY INCL.57,60,61,68	*105	2050015	RACHET-DISK, HANDLE ASSEMBLY
4	991-040	WASHER FELT	*57	2051900	TOP PLATE, VANTAGE	■	2880920	BRACKET TENSION HANDLE KIT
5	784-025	BEARING RETAINER	58	2053414	SCREW-#8-32 X 1/2 TRI-LOBE[2.EA]	*106	2051737	WASHER-FLAT, ID.406 X OD.8
6	116-025	BALL -STEEL	59	2051717	WASHER-#8 SAE FLAT ZNK PLT [2.EA]	*107	2050921	HANDLE, TENSION, LONG
7	2-100-110	ARMATURE ASSEMBLY	*60	2057306	BEARING-BALL (VANTAGE)	108	2052511	CABLE CLAMP, 1/4" VANTAGE[2.EA]
8	788-040	RETAINING RING	*61	2057302	BEARING-UPPER, LIFT SCREW	109	2053415	SCREW-#8-32 X 3/8" TRI-LB[3.EA]
9	990-051	WASHER-THRUST, STEEL	68*62	2052630	PIN, CLUSTER GEAR	*110	2774030	CNTRL BRD ASSY 24/36V W/PAD INCL.111
10	990-052	WASHER- NYLATRON	63	2053415	SCREW-#8-32 X 3/8 TRI-LOBE P	*111	2315105	INSULATING PAD
■	2-600-144	BRUSH/WIRE/PLATE ASSEMBLY INCL.11-13	64	2051716	WASHER-FENDER #10	112	2261712	SHOULDER WASHER [2.EA]
*11	738-004	BRUSH PLATE 4" TERMINAL	65	2052000	SHAFT-STEERING, VANTAGE	113	2053407	SCREW-#8-32 X .75 PPH[3.EA]
*12	975-041	SPRING -TORSION [2.EA]	66	2051706	WASHER-SPRING SUPPORT[2.EA]	114	2051220	LEADWIRE, 24/36V, 3 CONDUCT
*13R	409071	BRUSH W/RED LEADWIRE	67	2052205	GEAR, STEERING TUBE MACHINED	116	2052512	CABLE CLAMP, 1/2" VANTAGE
*13B	409072	BRUSH W/BLK LEADWIRE	81*68	2052615	PIN-DRIV-LOK 1/8 X 1 1/8	117	2053415	SCREW-#8-32 X 3/8" TRI-LOBE P
15	973-025	SPACER -BRUSH PLATE [2.EA]	69	2052510	CABLE CLAMP, 3/16" VANTAGE	118	2052210	ROLLER-STEERING SHAFT
16	830-027	SCREW -SELF THREADED 10-32 X 2" [2.EA]	70	2053415	SCREW-#8-32 X 3/8 TRI-LOBE P	■	2880102	CONTROL HEAD COVER LATCH KIT
17	431-110	HOUSING ASSEMBLY- CENTER	71	2057800	MOTOR-LIFT (12,24,36V)	119	2050200	COVER-CONTROL HEAD
18	701-043	O-RING ( 2 REQ'D)	72	2058410	TENSIONER-BELT (VANTAGE)	120	2053415	SCREW-#8-32 X 3/8" TRI-LOBE[3.EA]
19	144-017	BEARING -FLANGE (SERVICE ONLY)	73	831-070	SCREW - TORXW/SPLTWASH[3.EA]	121	2012100	SCREW-8-18 X 5/8" THD CUT[3.EA]
20	2-300-160	BRUSH END HOUSING ASSEMBLY	74	2053413	SCREW-10-16X1" TYPE AB,HEX[4.EA]	122	2050210	SHROUD-CONTROL HEAD
21	880-025	SEAL [2.EA]	■	2882201	CLUSTER GEAR / FLANGE PULLEY KIT	123	2055612	DECAL-SHROUD (VANTAGE)[2.EA]
22	701-009	O-RING -THRU BOLT [2.EA]	*75	2770428	PULLEY/PINION GEAR ASSEMBLY	124	2055602	DECAL-COVER, 36V
23	830-096	THRU BOLT 12-24 X 11.56" SS [2.EA]	*76	2058405	FLANGE-PULLEY (VANTAGE)	125	2055610	DECAL-COVER, LED
24	2317060	MOTOR ASSEMBLY, 4", 36V (ITEMS 1-27)	*77	2053418	SCREW 4-40 X 1/4 PPH[2.EA]	126	2051712	WASHER- .152 ID, .50 OD, .06
25	979-015	STRAIN RELIEF - BODY	78	2050800	BELT-DRIVE (VANTAGE)	127	2302100	SCREW-6-20 X 1/2" THD CUT
26	979-016	CAP - STRAIN RELIEF	79	2051705	WASHER-NYLON ID.312 X OD.	128	2012100	SCREW-8-18 X 5/8" THD CUT(4REQ'D)
27	389-015	GROMMET- STRAIN RELIEF	79A	2051703	WASHER-THRUST ID.315, OD.562	129	2050100	KNOB-POINTER, VANTAGE
28	2331130	PROPELLER (W.WEDGE) MAX 101	■	2882200	GEAR LIFT/PIN KIT INCL.80,62	130	2051717	WASHER- #8 SAE FLAT ZNK PLT
29	2093101	NUT-PROP NYLOC (LARGE) MAX 101	*80	2990426	LIFT GEAR ASSEMBLY	131	2332101	SCREW-8-32 X 1/2" SS
30	2091701	WASHER-PROP (LARGE) MAX 101	62*68	2052620	PIN-DRIV-LOK 1/8 X 5/8"	132	2371715	LOCKWASHER-STAR #8 ZINC
31	2772010	TUBE-MOTOR, 1 3/4" KIT W/TEMPLATE	82	2056515	CAP-LOWER, GEAR HOUSING	133	2056700	PLUG, POINTER, VANTAGE
32	2991822	TRANSOM BRACKET ASSEMBLY 36V	83	2383500	BOLT-3/8-16 X 1.25	134	2050220	SHIELD-EXTRUSION, VANTAGE
33	2056505	HOUSING EXTRUSION	84	2053402	SCREW-10-24 X 1" TRI-LOBE [3.EA]	135	2053414	SCREW-#8-32 X 1/2" TRI-LOBE[2.EA]
34	2053511	BOLT-CARRIAGE 5/16-18 1"[4.EA]	85	2054600	O-RING, GEAR HOUSING	136	2055611	DECAL-SHIELD (VANTAGE)[3.EA]
35	2151726	WASHER-5/16 STD (S/S)[4.EA]	86	2056510	CAP-UPPER, GEAR HOUSING	137	299820	CIRCUIT BRKR ASSEMBLY 36V [2.EA]
36	2053103	NUT, 5/16-18 NYLOC [4.EA]	87	2057200	LATCH (VANTAGE)	139	2774840	TRANSOM EXTRUSION KIT INCL.139,140
37	2770420	LOWER SUPPORT CAGE ASSEMBLY	88	2052711	SPRING, LATCH RETURN	*140	2053419	BOLT 14-1/4X1
38	2057302	BEARING-UPPER, LIFT SCREW	89	2050102	KNOB-LATCH (VANTAGE)	*141	2050921	HANDLE TENSION- LONG
■	2881510	YOKE/BEARING RACE KIT INCL.39,40,42	90	2353401	SCREW-10-16 X 1/2 STALGD	■	2880910	HANDLE L/R KIT
*39	2051510	YOKE-LIFT SCREW	91	2051716	WASHER-FENDER #10	INCL.	101,102,142,143,149	
*40	2056200	BEARING RACE-YOKE	92	2151730	WASHER-CUP (HINGE BRACKET)	*142	2050915	HANDLE SIDE L
41	2053401	SCREW-10 X 1/2,TYPE 25,[2.EA]	93	9950156	WASHER-3/8 FLAT (ZINC)	*143	2050910	HANDLE SIDE R
42	2353401	SCREW-10-16 X 1/2 STALGD	94	2053107	NUT-3/8-16, TOPLOCK	■	2880925	HANDLE/CLAMP SCREW KIT
43	2053400	SCREW-LIFT, 1/2-10 ACME	96	2990920	HANDLE ASSEMBLY, VANTAGE	INCL.	144,145,146,147,148	
44	2052707	SPRING-COIL, SOFT STOP	■	2884006	HANDLE CTRL BOARD/GRIP KIT INCL. 97,149	*144	2051300	SCREW- CLAMP 5/8
45	2770429	COIL SPRING/WASHER ASSEMBLY KIT	*97	2994005	CTRL BOARD ASSEMBLY-HANDLE	*145	2050925	HANDLE- SCREW
46	2053413	SCREW-10-16X1" TYPE AB,HEX(4REQ'D)	98	2055115	BUTTON SWITCH ACTUATOR	*146	2052625	PIN- HANDLE
■	2883200	WIRE CLAMP KIT INCL. 47,48,49	■	2883700	PLUNGER/GRIP KIT INCL. 99,149	*147	2011710	WASHER- CLAMP SCREW
*47	2053200	WIRE CLAMP, LEFTHAND	*99	2053700	PLUNGER, ON/OFF	*148	2263402	SCREW- SHC 20-1/4
*48	2053205	WIRE CLAMP, RIGHTHAND	100	2050101	KNOB-SPEED CONTROL	149	2880423	GRIP KIT
*49	2053417	SCREW-10-16X3/4 TYPE BT,PPH	101	2012100	SCREW-8-18 X 5/8" THD CUT[2.EA]	*150	2053105	NUT- HEX
50	2770400	TAPE SPRING ASSEMBLY INCL. 51-55	102	2053412	SCREW 8 X 1.5"TYPE 25 PPH[2.EA]	151	2881500	TUBE/SLEEVE/BUSHING KIT
51	2052705	SPRING, CONSTANT FORCE	■	2880921	HANDLE TENSION KNOB KIT			
52	2052610	PIN-PIVOT 7/16" O.D.			INCL. 103,104,105,141			
53	2051920	BRACKET-SPRING						

\* THIS ITEM IS PART OF AN ASSEMBLY AND CAN NOT BE SOLD SEPARATELY

# Vantage Transom Series Wiring Diagrams

## Vantage 101

