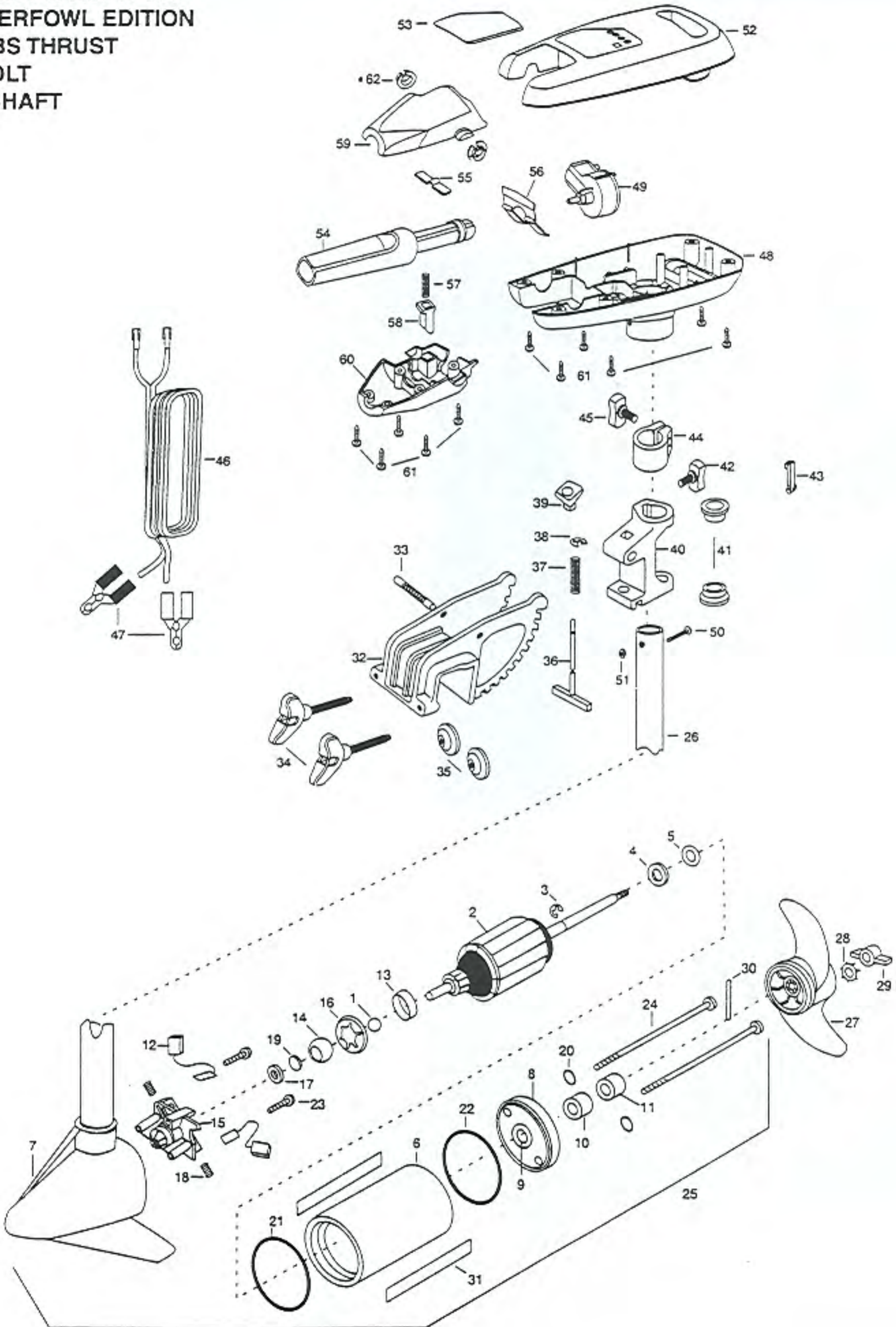


CAMOUFLAGE 44-XL
WATERFOWL EDITION
44 LBS THRUST
12 VOLT
36" SHAFT



In the U.S.A., replacement parts may be ordered directly from MINN KOTA Parts Dept., WA MARINE, 706 Holly Lane, Mankato, Minnesota 56001. In Canada, parts may be ordered from any of the Canadian Authorized Service Centers shown on the enclosed list. Be sure to provide the make, model and serial numbers of your motor when ordering parts. Please use the correct part numbers from the parts list. Payment for any parts ordered from the MINN KOTA parts department, may be by cash, personal check, Discover Card, MasterCard or VISA. To order, call 1-800-227-6433 or FAX 1-800-527-4464.

Fuera de los Estados Unidos, consultar la lista anexa para ubicar el Centro de servicio autorizado MINN KOTA. No olvidar incluir el número del MODELO y el número de SERIE del motor para el cual se solicitan las piezas. Usar siempre los números de pieza correctos indicados en la lista de piezas.

Hors de États-Unis, voir la liste ci-jointe pour le Centre de Service Agréé MINN KOTA le plus proche. Lors d'une commande, ne pas oublier de fournir le numéro de modèle et le numéro de série du moteur. Toujours mentionner le numéro de pièce exact figurant sur la liste des pièces de rechange.

Fora da América do Norte, qualra consultar a lista anexa para identificar o Centro de Serviço Autorizado MINN KOTA. Não deixe de incluir o número do MODELO e o número de SÉRIE do seu motor ao pedir peças. Sempre usa os números corretos das peças da lista de peças.

1	116-020	BALL - STEEL	33	2010511	PIN-HINGE
2	2-100-001	ARM ASSEMBLY 12V 3.25 40*	34	2061300	SCREW-CLAMP [2.EA]
3	788-015	RETAINING RING	35	2011710	WASHER-CLAMP SCREW (1.5 OD) [2.EA]
4	990-067	WASHER - STEEL THRUST	36	2033602	T-BAR
5	990-070	WASHER - NYLATRON	37	2012700	SPRING- (T-BAR)
6	431-079	HOUSING ASSEMBLY CENTER 3.25 TXT	38	2013000	E-RING- (PULLEY HOUSING)
7	2-300-132	HOUSING ASSEMBLY BRUSH END 3.25	39	2010111	KNOB-TILT RED
8	2-400-124	PLAIN END HOUSING ASSEMBLY	40	2031831	HINGE-PLASTIC
9	144-049	BEARING - FLANGE [SERVICE ONLY]	41	2037300	BUSHING-HINGE [2. EA]
10	880-003	SEAL	42	2011385	SCREW-TENSION/NEW KNOB
11	880-006	SEAL WITH SHIELD	43	2062800	TENSION BLOCK- SNAP IN
12	188-052	BRUSH ASSEMBLY [2.EA]	44	2061520	COLLAR-DEPTH (ENDURA)
13	725-033	BRUSH RETENTION- PAPER TUBE	45	2011365	SCREW-COLLAR/NEW KNOB
14	144-050	BEARING - SPHERICAL	46	2050600	LEADWIRE (10 GA) CLIPS
15	738-030	BRUSH PLATE W/HOLDER 3.25	47	2010700	BATTERY CLIP [2.EA]
16	784-036	BEARING RETAINER	48	2067700	CONTROL BOX, CAMO, W/HAND, 5 SP
17	991-025	WASHER - FELT	49	2064023	SWITCH-FWD/REV 5 SP
18	975-032	SPRING - COMPRESSION	50	2033400	SCREW-10-24 X 1-3/4
19	303-039	THRUST DISC - METAL	51	2013110	NUT-10-24 HEX (ZCP)
20	701-007	O-RING [2. EA]	52	2060282	CONTROL BOX COVER- (CAMOUFL)
21	701-041	O-RING	53	2095669	DECAL-COVER (CAMO 44-XL)
22	701-039	O-RING MK406460	54	2990917	HANDLE ASSEMBLY-W/U-JOINT 5SP
23	830-001	SCREW - SELF-THREAD 8-32 X 1.7 [2.EA]	55	2302742	SPRING-DETENT (OFF) SS
24	830-078	THRU BOLT 8-32 X 8.96 [2. EA]	56	2302743	SPRING-DETENT (HANDLE-TILT)
25	2068050	MTR ASSEMBLY 12V 3.25 5SPC TXT 4	57	2302745	SPRING-RELEASE BUTTON SS
26	2067705	TUBE-COMPOSITE (CAMO-DIPPED)	58	2303720	RELEASE BUTTON-HANDLE
*27	1378122	PROPELLER KIT INCL. 27, 28, 29, 30	59	2067702	HANDLE (TOP HALF) CAMO
28	2051700	LOCKWASHER-PROP (MEDIUM)	60	2067701	HANDLE (LOWER HALF) CAMOUFLA
29	2053100	NUT-PROP (MEDIUM)	61	2303412	SCREW-6-20 X 5/8 SELF TAP [11.EA]
30	2092600	PIN-DRIVE SS	62	2060005	BEARING-HANDLE PIVOT [2.EA]
31	2006603	DECAL- LOWER UNIT WHITE			
■	2771800	BRACKET & HINGE ASSEMBLY (FW)			
■	2771907	BRACKET ASSEMBLY INCL. 32, 34, 35			
32	2031910	BRACKET PLASTIC			

CAMO 44-XL

PARTS LIST

Turbo Transom Series Wiring Diagrams

50T, 65T, 90T-XI, Camo 44

