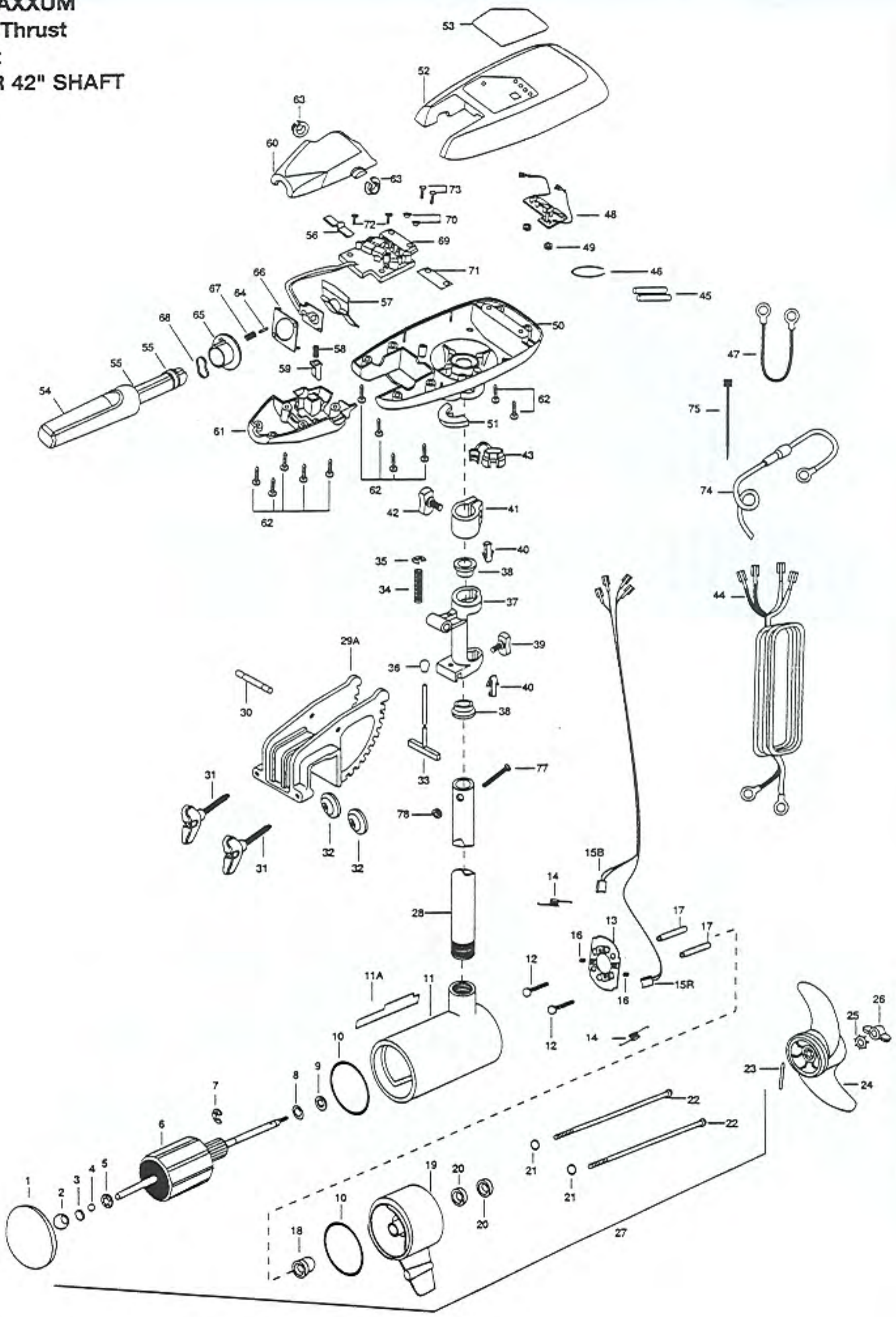


74T MAXXUM
74 lbs Thrust
24 Volt
36" OR 42" SHAFT



In the U.S.A., replacement parts may be ordered directly from MINN KOTA Parts Dept.,
 JWA MARINE, 706 Highway 101, Mankato, Minnesota 56001. In Canada, parts may be
 ordered from any of the Canadian Authorized Service Centers shown on the enclosed list.
 Be sure to provide the make, model and serial numbers of your motor when ordering parts.
 Please use the correct part numbers from the parts list. Payment for any parts ordered
 from the MINN KOTA parts department, may be by cash, personal check, Discover Card,
 MasterCard or VISA. To order, call 1-800-227-6433 or FAX 1-800-527-4464.

Fuera de los Estados Unidos, consultar la
 lista anexa para ubicar el Centro de servicio
 autorizado MINN KOTA. No olvidar incluir el
 número del MODELO y el número de SERIE
 del motor para el cual se solicitan las piezas.
 Usar siempre los números de pieza correctos
 indicados en la lista de piezas.

Hors de États-Unis, voir la liste ci-jointe pour
 le Centre de Service Agréé MINN KOTA le
 plus proche. Lors d'une commande, ne pas
 oublier de fournir le numéro de modèle et le
 numéro de série du moteur. Toujours mention-
 ner le numéro de pièce exact figurant sur la
 liste des pièces de rechange.

Fora da América do Norte, consulte a
 lista anexa para identificar o Centro de
 Serviço Autorizado MINN KOTA mais próximo.
 Não deixe de incluir o número do MODELO e o número
 de SÉRIE do seu motor ao pedir peças.
 Sempre use os números corretos das peças
 da lista de peças.

PARTS LIST

1	409024	FRONT ENDBELL	29	2991960	BRACKET/HINGE ASSEMBLY (29A, 30-40)	58	2302745	SPRING - RELEASE BUTTON SS
2	409600	SPHERICAL BEARING	29A	2031901	BRACKET (ORDER 29B)	59	2303720	RELEASE BUTTON - HANDLE
3	406050	THRUST DISC	29B	2771901	BRACKET ASSEMBLY (29A, 31-32)	60	2060409	HANDLE - TOP HALF
4	405010	PRECISION BALL	30	2010511	PIN - HINGE	61	2060415	HANDLE - LOWER HALF
5	409301	BEARING RETAINER	31	2061300	SCREW - CLAMP (2 REQ'D)	62	2303412	SCREW - 6 - 20 X 5/8 SELF TAP* (11 REQ'D)
6	410203	ARMATURE ASSEMBLY	32	2011710	WASHER - CLAMP SCREW (2 REQ'D)	63	2060005	BEARING - HANDLE PIVOT
7	409300	E-RING	33	2033600	T-BAR	64	2302600	PIN - ACTUATOR
8	409170	THRUST WASHER - STEEL (AS REQ'D)	34	2012700	SPRING - T-BAR	65	2302850	ACTUATOR - CAM
9	409171	THRUST WASHER - NYLON (AS REQ'D)	35	2013000	E-RING	66	2302851	ACTUATOR - FWD/REV
10	409460	O-RING (2 REQ'D)	36	2010100	KNOB - TILT	67	2302740	SPRING - ACTUATOR
11	409257	CENTER SECTION W/ MAGNETS	37	2031852	HINGE	68	2302741	SPRING - CAM
11A	2006602	DECAL - LOWER UNIT	38	2037300	BUSHING - HINGE (2 REQ'D)	69	2344006	CTRL BRD W/O LEAD - 24V
12	405341	SCREW - BRUSH PLATE (2 REQ'D)	39	2011385	SCREW - TENSION W/NEW KNOB	70	2301710	WASHER - INSUL TRANSFER BAR
13	409402	BRUSH PLATE ASSEMBLY	40	2062800	TENSION BLOCK (2 REQ'D)	71	2365105	INSULATOR PAD
14	406083	SPRING - BRUSH (2 REQ'D)	41	2061520	COLLAR - DEPTH ENDURA	72	2372100	SCREW - 8 - 18 X 5/8 SS (2 REQ'D)
15B	409072	BRUSH ASSEMBLY - BLACK	42	2011365	SCREW - COLLAR W/NEW KNOB	73	2301310	SCREW - 8 - 18 X 1/2 SS (2 REQ'D)
15R	409071	BRUSH ASSEMBLY - RED	43	2332900	STRAIN RELIEF	74	2060310	GROUND WIRE - FUSED
16	409343	SET SCREW - BRUSH (2 REQ'D)	44	2330600	LEADWIRE - 10 GA. W/ RINGS	75	2256300	TIE WRAP 5.5"
17	405151	SPACER - BRUSH PLATE (2 REQ'D)	45	2375400	SHRINK TUBE (2 REQ'D)	77	2383407	SCREW 10 - 24 X 2
18	409000	FLANGE BEARING	46	2303001	RING - PIG	78	2383124	NUT HEX 10 - 24 NYLOCK
19	409033	REAR ENDBELL	47	2340610	CONNECTOR CABLE 12"			
20	409461	SEAL (2 REQ'D)	48	2034036	BATTERY GAUGE - 24V/4 LED			
21	409462	O-RING - THRU BOLT (2 REQ'D)	49	2303120	SPEED NUT (2 REQ'D)			
22	409352	THRU BOLT (2 REQ'D)	50	2062586	CONTROL BOX			
23	2092600	PIN - DRIVE	51	2061512	COLLAR - CONTROL BOX			
24	2331120	PROPELLER	52	2990294	COVER - CNTRL BOX/DECAL ASS'Y			
25	2091700	LOCKWASHER	53	2345604	DECAL - COVER 74T			
26	2093100	NUT - PROP	54	2990914	HANDLE ASSEMBLY W/O U-JOINT			
27	2317036	MOTOR ASSEMBLY 24V 4*	55	2060000	BEARING - HANDLE (2 REQ'D)			
28	2032057	TUBE (36")	56	2302742	SPRING - DETENT OFF SS			
	2032053	TUBE (42")	57	2302743	SPRING - DETENT HANDLE - TILT			

MAX 74T

* This item is part of an assembly. This item cannot be sold separately due to machining and/or assembly that is required.

Maxxum Transom Series Wiring Diagrams

Max 74T, Max 74BT

BLACK LEADS B-

