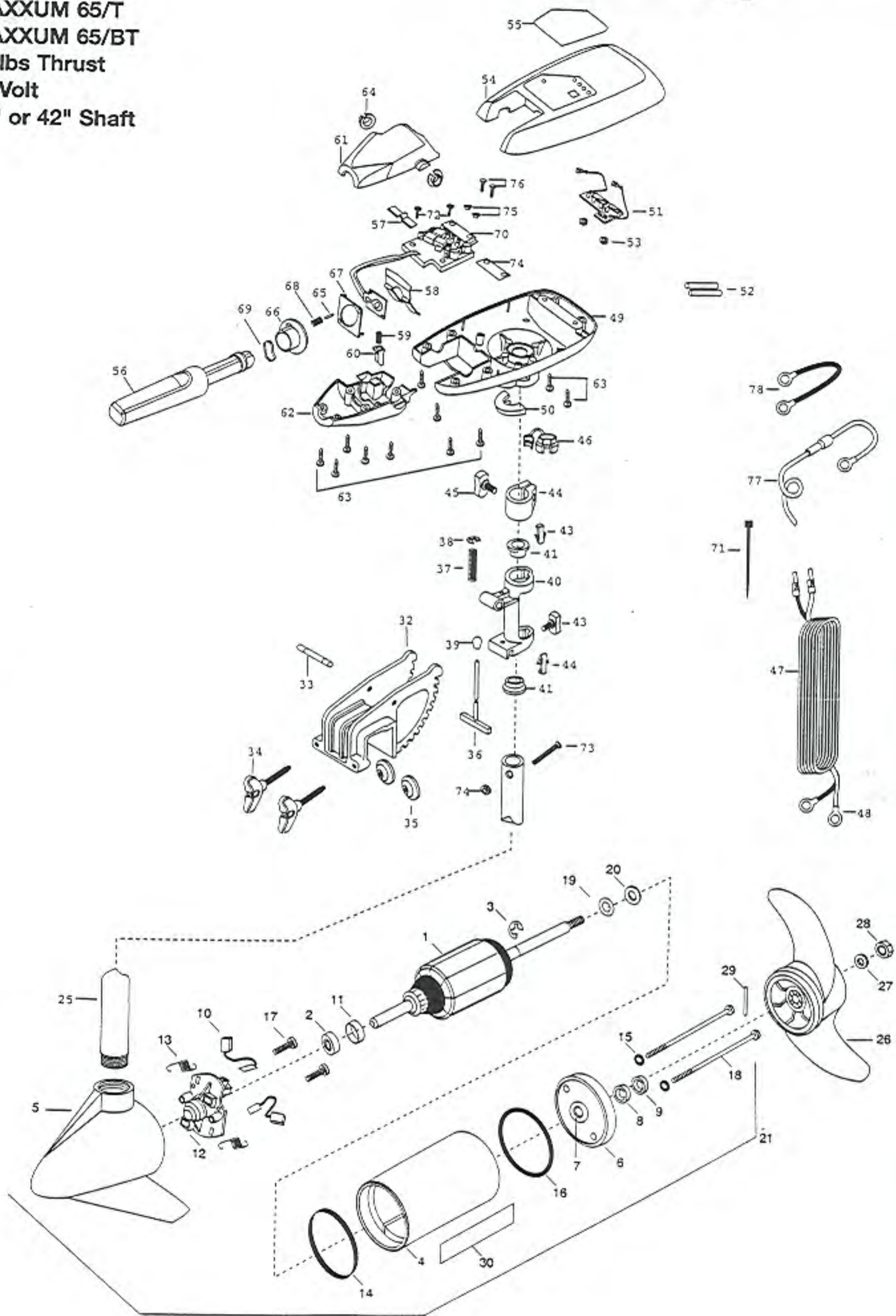


MAXXUM 65/T  
MAXXUM 65/BT  
65 lbs Thrust  
24 Volt  
36" or 42" Shaft





In the U.S.A., replacement parts may be ordered directly from MINN KOTA Parts Dept., WA MARINE, 706 Holt Ave., Mankato, Minnesota 56001. In Canada, parts may be ordered from any of the Canadian Authorized Service Centers shown on the enclosed list. Be sure to provide the MODEL and SERIAL numbers of your motor when ordering parts. Please use the correct part numbers from the parts list. Payment for any parts ordered from the MINN KOTA parts department, may be by cash, personal check, Discover Card, MasterCard or VISA. To order, call 1-800-227-6433 or FAX 1-800-527-4464.

Fuera de los Estados Unidos, consultar la lista anexa para ubicar el Centro de Servicio Autorizado MINN KOTA. No dejar de incluir el número del MODELO y el número de SERIE del motor para el cual se solicitan las piezas. Usar siempre los números de pieza correctos indicados en la lista de piezas.

Hors de États-Unis, voir la liste ci-jointe pour le Centre de Service Agréé MINN KOTA le plus proche. Lors d'une commande, ne pas oublier de fournir le numéro de modèle et le numéro de série du moteur. Toujours mentionner le numéro de pièce exact figurant sur la liste des pièces de rechange.

Fora da América do Norte, consultar a lista anexa para identificar o Centro de Serviço Autorizado MINN KOTA mais próximo. Não deixe de incluir o número do MODELO e o número de SÉRIE do seu motor ao pedir peças. Sempre use os números corretos das peças da lista de peças.

PARTS LIST

- |     |           |   |    |         |                                   |
|-----|-----------|---|----|---------|-----------------------------------|
| 1   | 2-100-009 | ARMATURE ASSEMBLY                           | 41 | 2037300 | BUSHING-HINGE [2.EA]              |
| 2   | 140-010   | BALL BEARING                                | 42 | 2011385 | SCREW-TENSION/NEW KNOB            |
| 3   | 788-015   | RETAINING RING                              | 43 | 2062800 | TENSION BLOCK- "SNAP IN" [2.EA]   |
| 4   | 431-005   | CENTER HOUSING ASSEMBLY                     | 44 | 2061520 | COLLAR-DEPTH                      |
| 5   | 421-065   | HOUSING BRUSH END 3.62 TXT                  | 45 | 2011365 | SCREW-COLLAR/NEW KNOB             |
| 6   | 2-400-101 | PLAIN END HOUSING ASSEMBLY                  | 46 | 2052900 | STRAIN RELIEF-C.CORD/SP.C         |
| 7   | 144-049   | BEARING - FLANGE (SERVICE CENTER ONLY)      | 47 | 2090600 | LEADWIRE (10 GA) RINGS            |
| 8   | 880-003   | SEAL  | 48 | 2020700 | TERMINAL RING, 3/8" [2.EA]        |
| 9   | 880-006   | SEAL WITH SHIELD                            | 49 | 2062585 | CONTROL BOX,FW, .725 BORE ZIN     |
| 10  | 188-036   | BRUSH ASSEMBLY [2.EA]                       | 50 | 2061512 | COLLAR-CTRL BOX                   |
| 11  | 725-050   | BRUSH RETENTION- PAPER TUBE                 | 51 | 2034036 | BATTERY GAUGE-24 VOLTS            |
| 12  | 738-036   | BRUSH PLATE W/HOLDER                        | 52 | 2375400 | SHRINK TUBE-1/4OD X 1-3/4 [2.EA]  |
| 13  | 975-040   | SPRING - TORSION [2.EA]                     | 53 | 2303120 | SPEED NUT [2.EA]                  |
| 14  | 337-036   | GASKET                                      | 54 | 2990294 | CTRL BOX CVR/DECAL ASSEMBLY       |
| 15  | 701-008   | O-RING, THRU-BOLT [2.EA]                    | 55 | 2065624 | DECAL-COVER MAX65T TRANS          |
| 16  | 701-081   | O-RING                                      |    | 2065625 | DECAL-COVER MAX65/BT TRANS        |
| 17  | 830-007   | SCREW-8-32 [2.EA]                           | 56 | 2990914 | HANDLE ASSEMBLY W/O U-JOINT       |
| 18  | 830-008   | THRU-BOLT 10-32 X 9.2 [2.EA]                | 57 | 2302742 | SPRING-DETENT (OFF)               |
| 19  | 990-067   | WASHER- STEEL THRUST                        | 58 | 2302743 | SPRING-DETENT HANDLE-TILT         |
| 20  | 990-070   | WASHER - NYLATRON                           | 59 | 2302745 | SPRING-RELEASE BUTTON             |
| 21  | 2098030   | MOTOR ASSEMBLY 24V F/W 51.5" LDS            | 60 | 2303720 | RELEASE BUTTON-HANDLE             |
| 25  | 2032052   | TUBE (COMPOSITE) 36"                        | 61 | 2060409 | HANDLE (TOP HALF) MAXIMIZE        |
|     | 2032053   | TUBE (COMPOSITE) 42"                        | 62 | 2060415 | HANDLE (LOWER HALF)               |
| 26  | 1378122   | PROPELLER- KIT INCL. 26,27,28,29            | 63 | 2303412 | SCREW-6-20 X 5/8 SELF TAP [11.EA] |
| 27  | 2151726   | WASHER-PROP 5/16 SS                         | 64 | 2060005 | BEARING-HANDLE PIVOT [2.EA]       |
| 28  | 2053101   | NUT-PROP NYLOC                              | 65 | 2302600 | PIN-ACTUATOR                      |
| 29  | 2092600   | PIN-DRIVE                                   | 66 | 2302850 | ACTUATOR-CAM                      |
| 30  | 2006603   | DECAL-LOWER UNIT, WHITE                     | 67 | 2302851 | ACTUATOR-FWD/REV                  |
| ■   | 2771960   | BRACKET & HINGE ASSEMBLY(FW)                | 68 | 2302740 | SPRING- ACTUATOR                  |
| ■   | 2771901   | BRACKET/CLAMP SCREWS/WASHERS INCL.32,334,35 | 69 | 2302741 | SPRING-CAM ZNC PLTD STEEL         |
| *32 | 2031901   | BRACKET DIE CAST-PAINTED                    | 70 | 2194006 | CTRL BOARD ASSEMBLY MAX65/HC      |
| 33  | 2010511   | PIN-HINGE                                   | 71 | 2256300 | TIE WRAP-5.5" BLACK               |
| ■   | 2881300   | SCREW-CLAMP, WASHER, RETAINER KIT [2.EA]    | 72 | 2372100 | SCREW-8-18 X 5/8 THD [2.EA]       |
| *34 | 2061300   | SCREW-CLAMP [2.EA]                          | 73 | 2383407 | SCREW-10-24 X 2                   |
| *35 | 2011710   | WASHER [2.EA]                               | 74 | 2383124 | NUT-10-24 NYLOCK ZINC PLT         |
| 36  | 2033600   | T-BAR                                       | 75 | 2301710 | WASHER-INSUL. (TRANSF.BAR) [2.EA] |
| 37  | 2012700   | SPRING- (T-BAR)                             | 76 | 2301310 | SCREW-8-18 X 1/2 [2.EA]           |
| 38  | 2013000   | E-RING- (PULLEY HOUSING)                    | 77 | 2060310 | CONNECT*GROUND WIRE-FUSED         |
| 39  | 2010100   | KNOB-TILT                                   | 78 | 2090620 | CONNECTOR CABLE                   |
| 40  | 2031852   | HINGE-MACHINED                              |    |         |                                   |

MAX 65T / BT

\* This item is part of an assembly. This item cannot be sold separately due to machining and /or assembly that is required.



# Max 65T, Max 65BT

