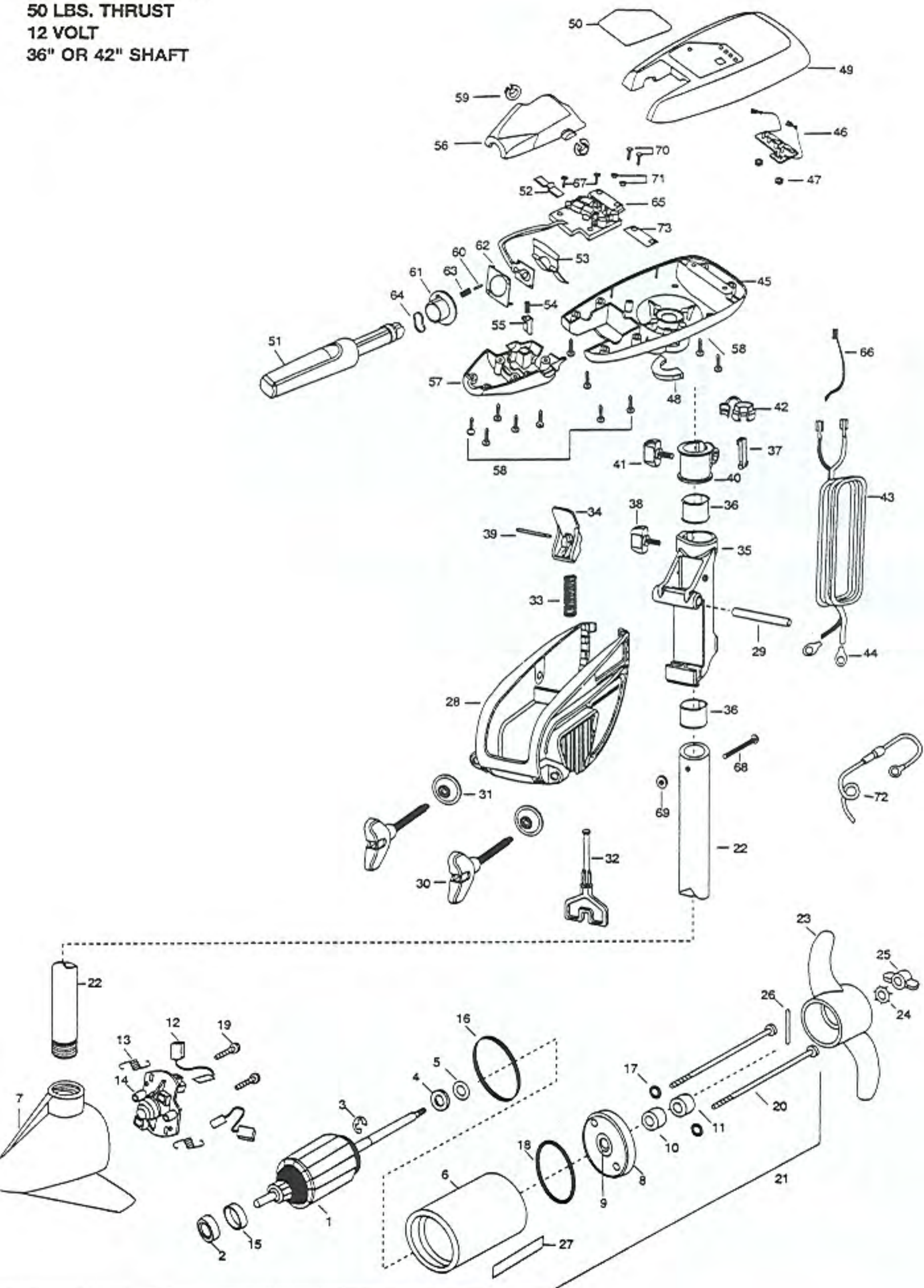


50T - 50BT MAXXUM
50 LBS. THRUST
12 VOLT
36" OR 42" SHAFT



In the U.S.A., replacement parts may be ordered directly from MINN KOTA Parts Dept., JWA Marine, 706 Holly Lane, Minnetonka, Minnesota 55001. In Canada, parts may be ordered from authorized Service Centers shown on the enclosed list. Be sure to provide the model and serial numbers of your motor when ordering parts. Please use the correct part numbers from the parts list. Payment for any parts ordered from the MINN KOTA parts department, may be by cash, personal check, Discover Card MasterCard or VISA. To order, call 1-800-227-6433 or FAX 1-800-527-4464.

Fuera de los Estados Unidos, consultar la lista anexa para ubicar el Centro de servicio autorizado MINN KOTA. No olvidar incluir el número del MODELO y el número de SERIE del motor para el cual se solicitan las piezas. Usar siempre los números de pieza correctos indicados en la lista de piezas.

Hors de États-Unis, voir la liste ci-jointe pour le Centre de Service Agréé MINN KOTA le plus proche. Lors d'une commande, ne pas oublier de fournir le numéro de modèle et le numéro de série du moteur. Toujours mentionner le numéro de pièce exact figurant sur la liste des pièces de rechange.

Fora da América do Norte, consultar a lista anexa para identificar o Centro de Serviço Autorizado MINN KOTA. Não deixe de incluir o número do MODELO e o número de SÉRIE do seu motor ao pedir peças. Sempre use os números corretos das peças da lista de peças.

PARTS LIST

1	2-100-098	ARMATURE ASSEMBLY 12V F/W	36	2037300	BUSHING-HINGE [2.EA]
2	140-010	BEARING -BALL	37	2062800	TENSION BLOCK-SNAP IN
3	788-015	RETAINING RING	38	2011385	SCREW-TENSION/NEW KNOB
4	990-067	WASHER -STEEL THRUST	39	2060515	PIN, TILT LEVER
5	990-070	WASHER -NYLATRON	40	2061520	COLLAR- DEPTH
6	431-101	HOUSING ASSEMBLY CENTER 3.62	41	2011365	SCREW- COLLAR/NEW KNOB
7	421-065	HOUSING BRUSH END ASSEMBLY 3.62 TXT	42	2052900	STRAIN RELIEF- C.CORD/SP.C
8	2-400-101	PLAIN END HOUSING ASSEMBLY	43	2090600	LEADWIRE (10 GA) RINGS
9	144-049	FLANGE BEARING (SERVICE ONLY)	44	2020700	TERMINAL RING, 3/8 [2.EA]
10	880-003	SEAL	45	2062585	CONTROL BOX, FW, .725 BORE
11	880-006	SEAL W/SHIELD	46	2034035	BATTERY GAUGE-12 VOLTS
12	188-036	BRUSH ASSEMBLY	47	2303120	SPEED NUT [2.EA]
13	975-040	SPRING -TORSION [2.EA]	48	2061512	COLLAR-CTRL BOX (FRS-WTR)
14	738-036	BRUSH PLATE W/HOLDER	49	2990294	CTRL BOX CVR/DECAL ASSEMBLY
15	725-050	PAPER TUBE- BRUSH RETENTION	50	2065622	DECAL-COVER MAX 50/T
16	337-036	GASKET		2065623	DECAL-COVER MAX 50/BT
17	701-008	O-RING -THRU BOLT [2.EA]	51	2990914	HANDLE ASSEMBLY W/O U-JOINT
18	701-081	O-RING	52	2302742	SPRING-DETENT (OFF) SS
19	830-002	SCREW -SELF THREADED 8-32 X 1 [2.EA]	53	2302743	SPRING-DETENT (HANDLE-TILT)
20	830-042	THRU BOLT 10-32 X 8.83 (2 EA)	54	2302745	SPRING-RELEASE BUTTON SS
21	2099035	MOTOR ASSEMBLY -12V F/W VARS 47.5 LDS	55	2303720	RELEASE BUTTON-HANDLE
22	2032052	TUBE (COMPOSITE) 36"	56	2060409	HANDLE (TOP HALF) MAXIMIZE
	2032053	TUBE (COMPOSITE) 42"	57	2060415	HANDLE (LOWER HALF)
23	1378122	PROPELLER KIT -INCL. 23,24,25,26	58	2303412	SCREW-6-20 X 5/8 SELF TAP [11.EA]
24	2051700	LOCKWASHER-PROP (MEDIUM)	59	2060005	BEARING-HANDLE PIVOT [2.EA]
25	2053100	NUT-PROP (MEDIUM)	60	2302600	PIN-ACTUATOR
26	2092600	PIN-DRIVE SS	61	2302850	ACTUATOR-CAM
27	2006602	DECAL-LOWER UNIT,	62	2302851	ACTUATOR-FWD/REV
■	2771811	BRACKET & HINGE ASSEMBLY-HNDW	63	2302740	SPRING- (ACTUATOR)
■	2771910	BRACKET- ASSEMBLY- INCL. 28,30,31	64	2302741	SPRING-CAM (ZNC PLTD STEEL)
*28	2991910	BRACKET- PLASTIC	65	2194000	CONTROL BOARD ASSEMBLY
29	2060510	PIN-HINGE ENDURA	66	2256300	TIE WRAP-5.5 BLACK
30	2061300	SCREW-CLAMP [2.EA]	67	2372100	SCREW-8-18 X 5/8 THD SS [2.EA]
31	2011710	WASHER-CLAMP SCREW [2.EA]	68	2383407	SCREW-10-24 X 2
32	2063605	T-BAR, PLASTIC	69	2383124	NUT-10-24 NYLOCK ZINC PL
33	2062706	SPRING- (T-BAR)	70	2301310	SCREW-8-18 X 1/2 SS [2.EA]
34	2067200	LEVER- TILT (RED)	71	2301710	WASHER-INSUL. (TRANSF.BAR) [2.EA]
35	2061810	HINGE- PLASTIC	72	2060310	CONNECT GROUND WIRE-FUSED

MAX 50T & 50BT

Maxxum Transom Series Wiring Diagrams

Max 40T, Max 50T, Max 50BT

