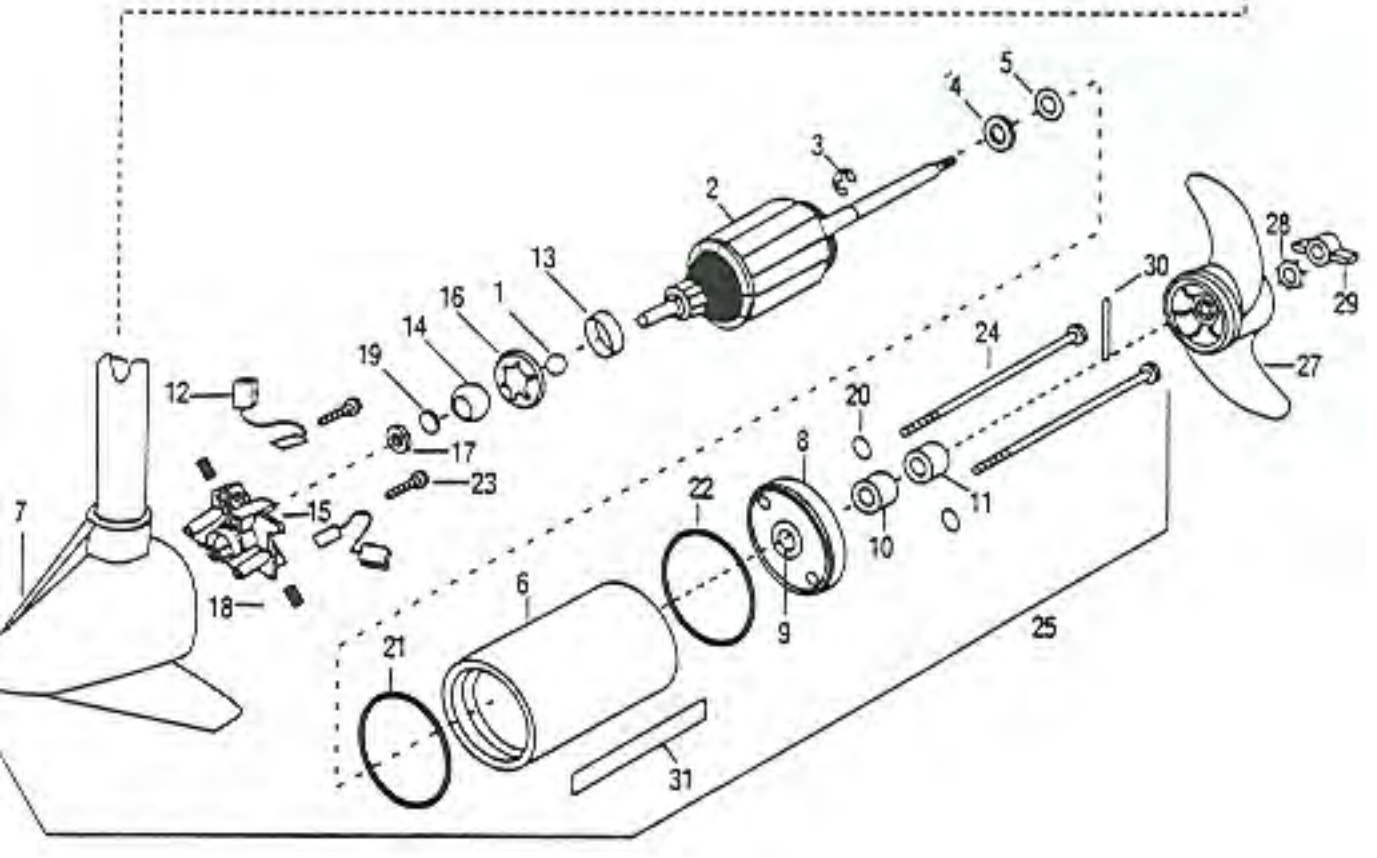
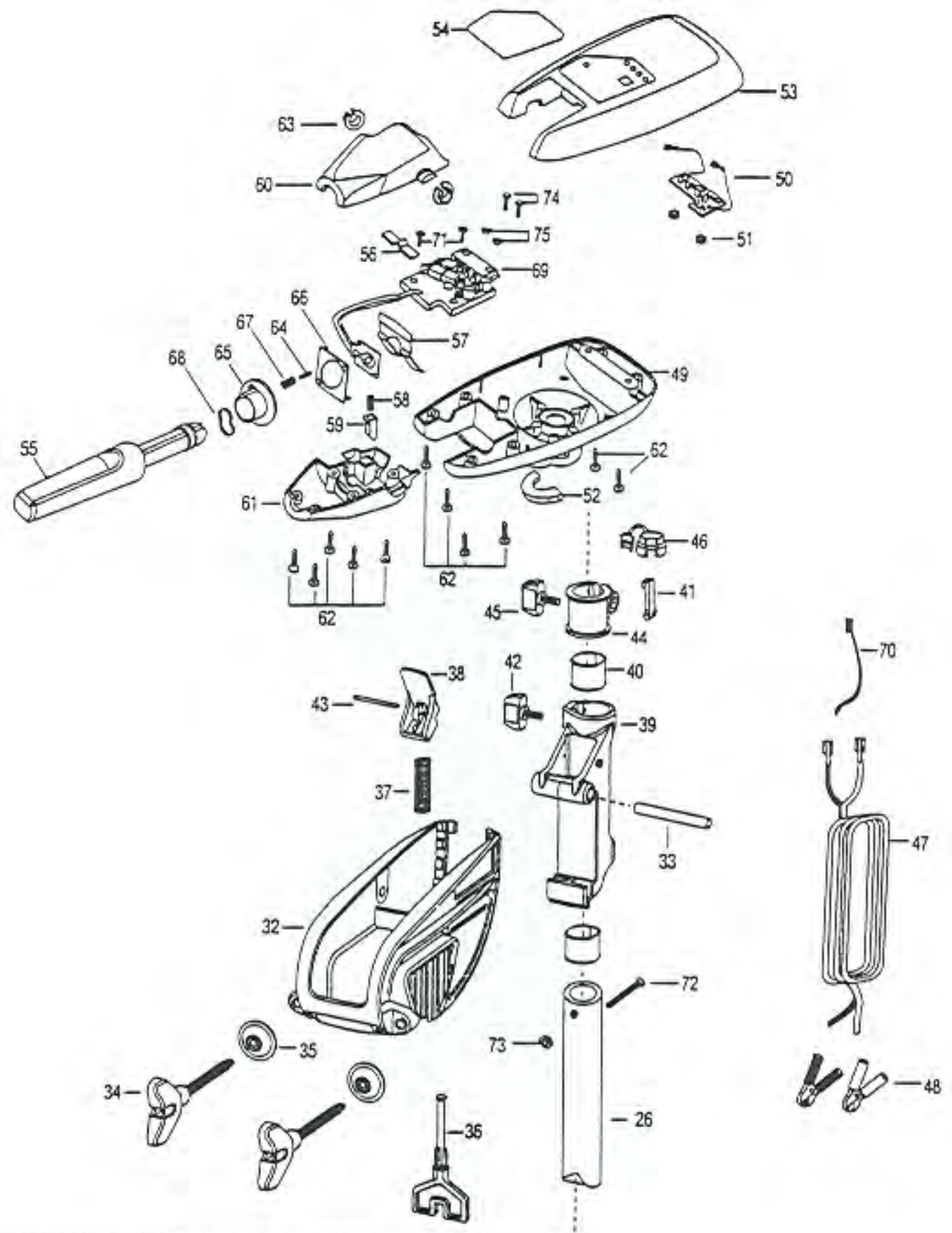


MAXXUM 40T  
12 VOLT  
40 LBS. THRUST  
36" OR 42" SHAFT



In the U.S.A., replacement parts may be ordered directly from MINN KOTA Parts Dept., JWA MARINE, 706 Holly Lane, Mankato, MN 56001. In Canada, parts may be ordered from any of the Canadian Authorized Service Centers shown on the enclosed list. Be sure to provide the model and serial numbers of your motor when ordering parts. Please use the correct part numbers from the parts list. Payment for any parts ordered from the MINN KOTA parts department, may be by cash, personal check, Discover Card MasterCard or VISA. To order, call 1-800-227-6433 or FAX 1-800-527-4464.

Fuera de los Estados Unidos consultar la lista anexa para ubicar el Centro de Servicio Autorizado MINN KOTA. No dejar de incluir el número del MODELO y el número de SERIE del motor para el cual se solicitan las piezas. Usar siempre los números de pieza correctos indicados en la lista de piezas.

Hors de États-Unis, voir la liste ci-jointe pour le Centre de Service Agréé MINN KOTA le plus proche. Lors d'une commande, ne pas oublier de fournir le numéro de modèle et le numéro de série du moteur. Toujours mentionner le numéro de pièce exact figurant sur la liste des pièces de rechange.

Fora da América do Norte, consultar a lista anexa para identificar o Centro de Serviço Autorizado MINN KOTA. Não deixe de incluir o número do MODELO e o número de SÉRIE do seu motor ao pedir peças. Sempre use os números corretos das peças da lista de peças.

1	116-020	BALL - STEEL	40	2037300	BUSHING HINGE [2.EA ]
2	2-100-001	ARM ASSY 12V 3.25 40*	41	2062800	TENSION BLOCK "SNAP IN
3	788-015	RETAINING RING	42	2011385	SCREW TENSION/NEW KNOB
4	990-067	WASHER - STEEL THRUST	43	2060515	PIN, TILT LEVER
5	990-070	WASHER - NYLATRON	44	2061520	COLLAR DEPTH
6	431-079	HOUSING ASSEMBLY CENTER 3.25 TXT	45	2011365	SCREW COLLAR/NEW KNOB
7	421-132	HOUSING BRUSH END 3.25 TXT	46	2052900	STRAIN RELIEF C.CORD/SP.C
8	2-400-124	PLAIN END HOUSING ASSEMBLY	47	2050600	LEADWIRE-10 GA CLIPS
9	144-049	BEARING - FLANGE	48	2010700	BATTERY CLIP 2.EA
10	880-003	SEAL	49	2062585	CONTROL BOX,FW,725 BORE, ZIN
11	880-006	SEAL WITH SHIELD	50	2034035	BATTERY GAUGE 12 VOLTS
12	188-052	BRUSH ASSEMBLY [2 REQ'D]	51	2303120	SPEED NUT [2.EA ]
13	725-033	BRUSH RETENTION	52	2061512	COLLAR CTRL BOX (FRS WTR)
14	144-050	BEARING - SPHERICAL	53	2990294	CTRL BOX CVR/DECAL ASSEMBLY
15	738-030	BRUSH PLATE W/HOLDER 3.25	54	2065621	DECAL COVER (MAX 40T TRANS)
16	784-036	BEARING RETAINER	55	2990914	HANDLE ASSEMBLY W/O U-JOINT
17	991-025	WASHER - FELT	56	2302742	SPRING DETENT (OFF)
18	975-032	SPRING - COMPRESSION	57	2302743	SPRING DETENT(HANDLE TILT
19	303-039	THRUST DISC - METAL	58	2302745	SPRING RELEASE BUTTON
20	701-007	O-RING [2. EA]	59	2303720	RELEASE BUTTON HANDLE
21	701-041	O-RING	60	2060409	HANDLE (TOP HALF) MAXIMIZE
22	701-039	O-RING MK406460	61	2060415	HANDLE (LOWER HALF)
23	830-001	SCREW - SELF-THREAD 8-32X1.7 [2.EA ]	62	2303412	SCREW 6 20 X 5/8 SELF TAP [11.EA ]
24	830-078	THRU BOLT 8-32 X 8.96 [2. EA]	63	2060005	BEARING HANDLE PIVOT [2.EA ]
25	2068051	MTR ASSEMBLY 12V 3.25 VARS TXT	64	2302600	PIN ACTUATOR
26	2032052	TUBE (COMPOSITE) 36	65	2302850	ACTUATOR CAM
	2032053	TUBE (COMPOSITE) 42	66	2302851	ACTUATOR FWD/REV
27	1378126	PROP KIT(27-30)	67	2302740	SPRING (ACTUATOR)
28	2051700	LOCKWASHER-PROP (MEDIUM)	68	2302741	SPRING CAM(ZNC PLTD STEEL
29	2053100	NUT-PROP (MEDIUM)	69	2194000	CONTROL BOARD ASSEMBLY
30	2092600	PIN-DRIVE (95-4HP'S) (SS)	70	2256300	TIE WRAP 5.5" BLACK
31	2006602	DECAL-LOWER UNIT,	71	2372100	SCREW 8 18 X 5/8 THD* SS [2.EA ]
	2991811	BRACKET & HINGE ASSEMBLY- (INCLUDES- 32- 43)	72	2033400	SCREW 10 24 X 1 3/4
	2771910	BRACKET ASSEMBLY (INCLUDES- 32, 33, 34)	73	2263110	NUT 10 24 TOPLOCK ZINC PLT
32	2061910	BRACKET-PLASTIC-	74	2301310	SCREW 8 18 X 1/2 (SS) 2. EA
33	2060510	PIN-HINGE	75	2301710	WASHER INSUL. (TRANSF.BAR) [2.EA ]
34	2061300	SCREW-CLAMP [2.EA ]			
35	2011710	WASHER-CLAMP SCREW 1.5 OD [2.EA ]			
36	2063605	T BAR, PLASTIC			
37	2062706	SPRING (T BAR)			
38	2067200	LEVER TILT (RED)			
39	2061810	HINGE PLASTIC			

MAX 40T

# Maxxum Transom Series Wiring Diagrams

Max 40T, Max 50T, Max 50BT

