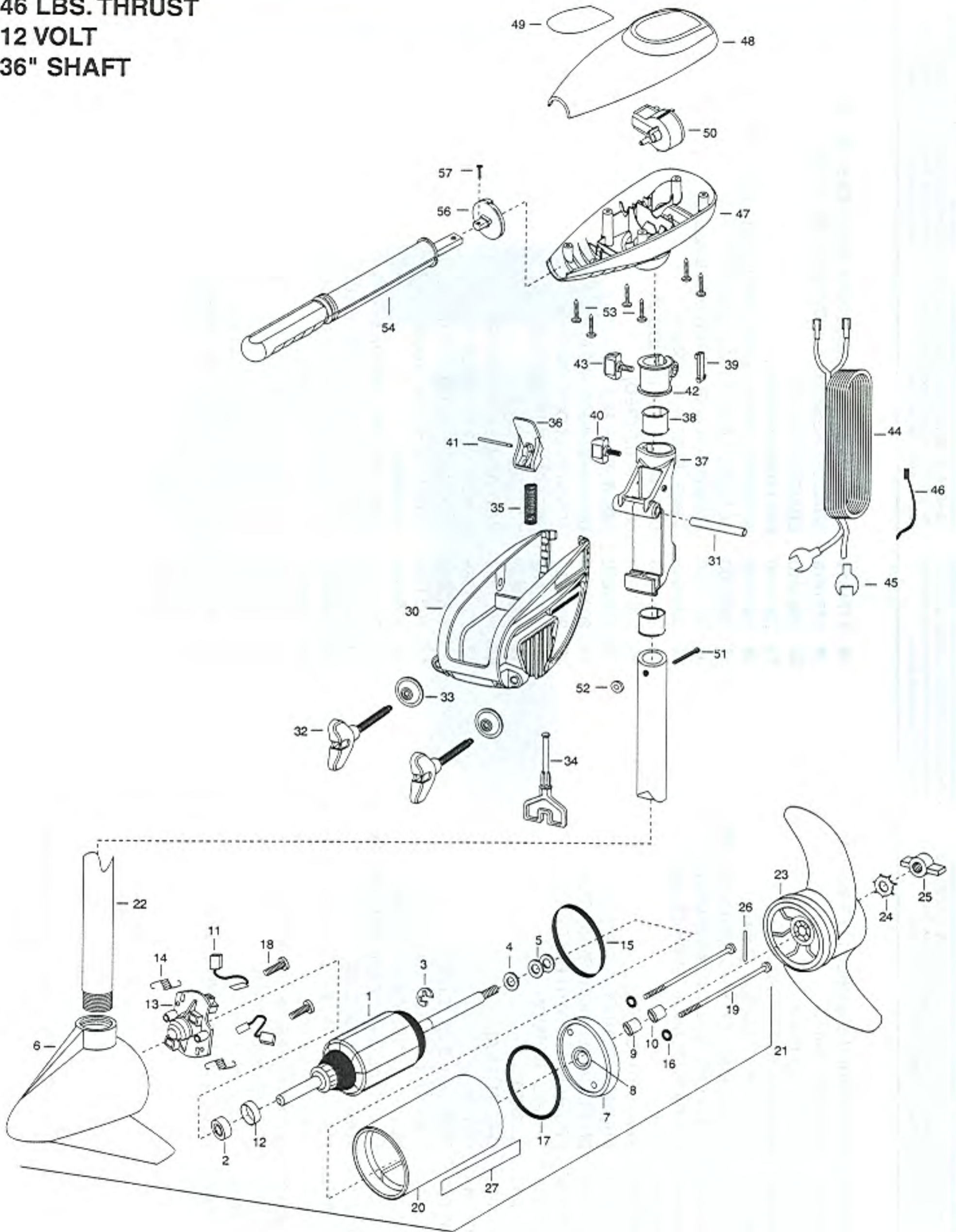


ENDURA PRO 46
46 LBS. THRUST
12 VOLT
36" SHAFT



In the U.S.A., replacement parts may be ordered directly from MINN KOTA Parts Dept., JWA MARINE, 706 ...ane, Mankato, Minnesota 56001. In Canada, parts may be ordered from any of the Canadian Authorized Service Centers shown on the enclosed list. Be sure to provide the MODEL and SERIAL numbers of your motor when ordering parts. Please use the correct part numbers from the parts list. Payment for any parts ordered from the MINN KOTA parts department, may be by cash, personal check, Discover Card MasterCard or VISA. To order, call 1-800-227-6433 or FAX 1-800-527-4464.

Fuera de los Estados Unidos, consultar la lista anexa para ubicar el Centro de servicio autorizado MINN KOTA. No dejar de incluir el número del MODELO y el número de SERIE del motor para el cual se solicitan las piezas. Usar siempre los números de pieza correctos indicados en la lista de piezas.

Hors de États-Unis, voir la liste ci-jointe pour le Centre de Service Agréé MINN KOTA le plus proche. Lors d'une commande, ne pas oublier de fournir le numéro de modèle et le numéro de série du moteur. Toujours mentionner le numéro de pièce exact figurant sur la liste des pièces de rechange.

Fora da América do Norte, consulte a lista anexa para identificar o Centro de Serviço Autorizado MINN KOTA. Não deixe de incluir o número do MODELO e o número de SÉRIE do seu motor ao pedir peças. Sempre use os números corretos das peças da lista de peças.

1	2-100-095	ARMATURE ASSEMBLY 12V 3.62	■	2771811	BRACKET & HINGE ASSEMBLY (INCLUDES- 30—41)
2	140-010	BEARING- BALL	■	2771910	BRACKET ASSEMBLY (INCLUDES- 30, 32, 33)
3	788-015	RETAINING RING	*30	2061910	BRACKET ENDURA
4	990-067	WASHER- STEEL THRUST	31	2060510	PIN-HINGE ENDURA
5	990-070	WASHER- NYLATRON [2.EA]	■	2881300	SCREW-CLAMP, WASHER, RETAINER [2.EA] KIT
6	2-300-196	BRUSH END HOUSING ASSEMBLY 36"	*32	2061300	SCREW-CLAMP ENDURA [2.EA]
7	2-400-101	PLAIN END HOUSING ASSEMBLY	*33	2011710	WASHER-CLAMP SCREW 1.5OD [2.EA]
8	144-049	BEARING- FLANGE, SERVICE ONLY	34	2063605	T-BAR, PLASTIC ENDURA
9	880-003	SEAL	35	2062706	SPRING- (T - BAR) ENDURA
10	880-006	SEAL WITH SHIELD	36	2067200	LEVER-TILT (RED)
11	188-036	BRUSH ASSEMBLY	37	2061810	HINGE-PLASTIC
12	725-050	BRUSH RETENTION- PAPER TUBE	38	2037300	BUSHING-HINGE [2.EA]
13	738-036	BRUSH PLATE WITH HOLDER	39	2062800	TENSION BLOCK-SNAP IN
14	975-040	SPRING- TORSION	40	2011385	SCREW, TENSION/KNOB
15	337-036	GASKET	41	2060515	PIN, TILT LEVER
16	701-008	O-RING [2.EA]	42	2061520	COLLAR-DEPTH ENDURA
17	701-081	O-RING	43	2011365	SCREW-COLLAR/NEW KNOB
18	830-007	SCREW- # 8-32 [2.EA]	44	2050609	LEADWIRE (10 GA) SPADE TERM
19	830-042	THRU BOLT 10-32 X 8.83 [2.EA]	45	2020702	SPADE TERMINAL 10GA. [2.EA]
20	431-101	HOUSING ASSEMBLY- CENTER	46	2026300	TIE WRAP
21	2099061	MOTOR ASSEMBLY 12V 3.62 5SPC TXT 47	47	2062510	CONTROL BOX ENDURA
22	2032052	TUBE COMPOSITE 36"	48	2060211	CONTROL BOX COVER- BLACK
■	1378122	PROPELLER- KIT INCLUDES 23, 24, 25, 26	49	2065629	DECAL COVER- ENDURA PRO 4
*23	2091150	PROP- W. WEDGE	50	2064023	SWITCH-FWD/REV 5 SP
*24	2051700	LOCKWASHER-PROP (MEDIUM)	51	2033400	SCREW-10-24 X 1-3/4
*25	2053100	NUT-PROP (MEDIUM)	52	2013110	NUT-10-24 HEX
*26	2092600	PIN-DRIVE	53	2012100	SCREW- 8-18 X 5/8 [6.EA]
27	2006603	DECAL- LOWER UNIT WHITE	54	2990901	HANDLE ASSEMBLY 5 SPEED
			56	2060405	PIVOT, HANDLE
			57	2012102	SCREW

* This item is part of an assembly. This item cannot be sold separately due to machining and /or assembly that is required.

Endura Transom Series (includes PowerMax and Spider 48) Wiring Diagrams

