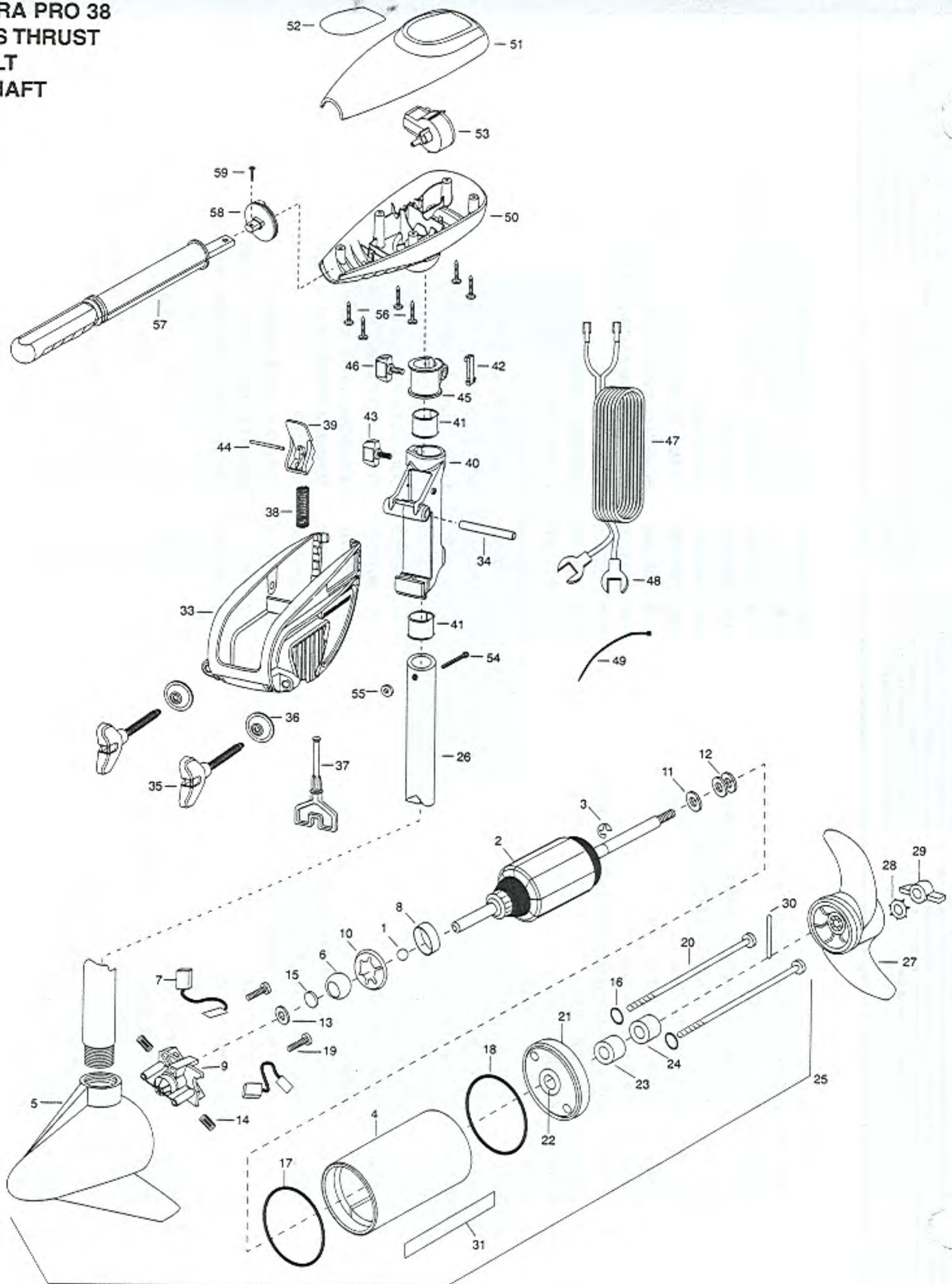


ENDURA PRO 38
38 LBS THRUST
12 VOLT
36" SHAFT



In the U.S.A., replacement parts may be ordered directly from MINN KOTA Parts Dept., JWA MARINE, 706 Lane, Mankato, Minnesota 56001. In Canada, parts may be ordered from any of the Canadian Authorized Service Centers shown on the enclosed list. Be sure to provide the MODEL and SERIAL numbers of your motor when ordering parts. Please use the correct part numbers from the parts list. Payment for any parts ordered from the MINN KOTA parts department, may be by cash, personal check, Discover Card MasterCard or VISA. To order, call 1-800-227-6433 or FAX 1-800-527-4464.

Fuera de los Estados Unidos, consultar la lista anexa para ubicar el Centro de servicio autorizado MINN KOTA. No dejar de incluir el número del MODELO y el número de SERIE del motor para el cual se solicitan las piezas. Usar siempre los números de pieza correctos indicados en la lista de piezas.

Hors de États-Unis, voir la liste ci-jointe pour le Centre de Service Agréé MINN KOTA le plus proche. Lors d'une commande, ne pas oublier de fournir le numéro de modèle et le numéro de série du moteur. Toujours mentionner le numéro de pièce exact figurant sur la liste des pièces de rechange.

Fora da América do Norte, consultar a lista anexa para encontrar o Centro de Serviço Autorizado MINN KOTA. Não deixe de incluir o número do MODELO e o número de SÉRIE do seu motor ao pedir peças. Sempre use os números corretos das peças da lista de peças.

1	116-020	BALL- STEEL	31	2006603	DECAL- LOWER UNIT WHITE
2	2-100-178	ARMATURE ASSEMBLY 12V 3.25	■	2771810	BRACKET & HINGE ASSY (INCLUDES- 33-45)
3	788-015	RETAINING RING	■	2771910	BRACKET ASSEMBLY (INCLUDES- 33, 35, 36)
4	431-079	HOUSING ASSEMBLY CENTER 3.25 TXT	*33	2061910	BRACKET-
5	2-300-132	BRUSH END HOUSING ASSEMBLY	34	2060510	PIN-HINGE
6	144-050	BEARING- SPHERICAL	35	2881300	CLAMP SCREW, WASHER, RETAINER KIT [2.EA]
7	188-052	BRUSH ASSEMBLY	■	2061300	SCREW-CLAMP (2 REQ'D)
8	725-033	BRUSH RETENTION	*36	2011710	WASHER-CLAMP SCREW [2.EA]
9	737-031	BRUSH PLATE W/HOLDER 3.25 ASSEMBLY INCLUDES 6, 9, 10, 13	*37	2063605	T-BAR, PLASTIC
10	784-036	BEARING RETAINER	38	2062706	SPRING- (T-BAR)
11	990-067	WASHER- STEEL	39	2067200	LEVER-TILT (RED)
12	990-070	WASHER- NYLATRON [2.EA]	40	2061810	HINGE-PLASTIC
13	991-025	WASHER- FELT	41	2037300	BUSHING-HINGE [2.EA]
14	975-032	SPRING- COMPRESSION	42	2062800	TENSION BLOCK-SNAP IN
15	303-039	THRUST DISC- METAL	43	2011385	SCREW, TENSION/KNOB
16	701-007	O-RING [2.EA]	44	2060515	PIN, TILT LEVER
17	701-039	O-RING MK406460	45	2061520	COLLAR-DEPTH ENDURA
18	701-041	O-RING	46	2011365	SCREW-COLLAR/NEW KNOB
19	830-001	SCREW- SELF THREAD 8-32 X 1.7 [2.EA]	47	2050609	LEADWIRE- 10 GA SPADE TERM
20	830-078	THRU BOLT 8-32 X 8.96 [2.EA]	48	2020702	TERMINAL-SPADE 10GA. [2.EA]
21	2-400-127	HOUSING- PLAIN END PLAST ASSEMBLY INCLUDES 21, 22, 23, 24	49	2256300	TIE WRAP
22	144-049	BEARING- FLANGE	50	2062510	CONTROL BOX ENDURA
23	880-003	SEAL	51	2060211	CONTROL BOX COVER BLACK
24	880-006	SEAL W/SHIELD	52	2065628	DECAL COVER ENDURA PRO 3
25	2069041	MOTOR ASSEMBLY 12V 3.25 5SPC TXT	53	2064023	SWITCH-FWD/REV 5 SP
26	2032046	TUBE, COMPOSITE 36"	54	2033401	SCREW-10-24 X 1-3/4 SHOULDER
27	1378126	PROP KIT INCL. 27, 28, 29, 30	55	2013110	NUT-10-24 HEX ZCP
28	2051700	LOCKWASHER-PROP (MEDIUM)	56	2012100	SCREW-8-18 X 5/8 THD CUT (6 REQ'D)
29	2053100	NUT-PROP (MEDIUM)	57	2990901	HANDLE ASSEMBLY 5 SPEED
30	2092600	PIN-DRIVE	58	2060405	PIVOT, HANDLE
			59	2012102	SCREW

* This item is part of an assembly. This item cannot be sold separately due to machining and /or assembly that is required.

Endura Transom Series (includes PowerMax and Spider 48) Wiring Diagrams

