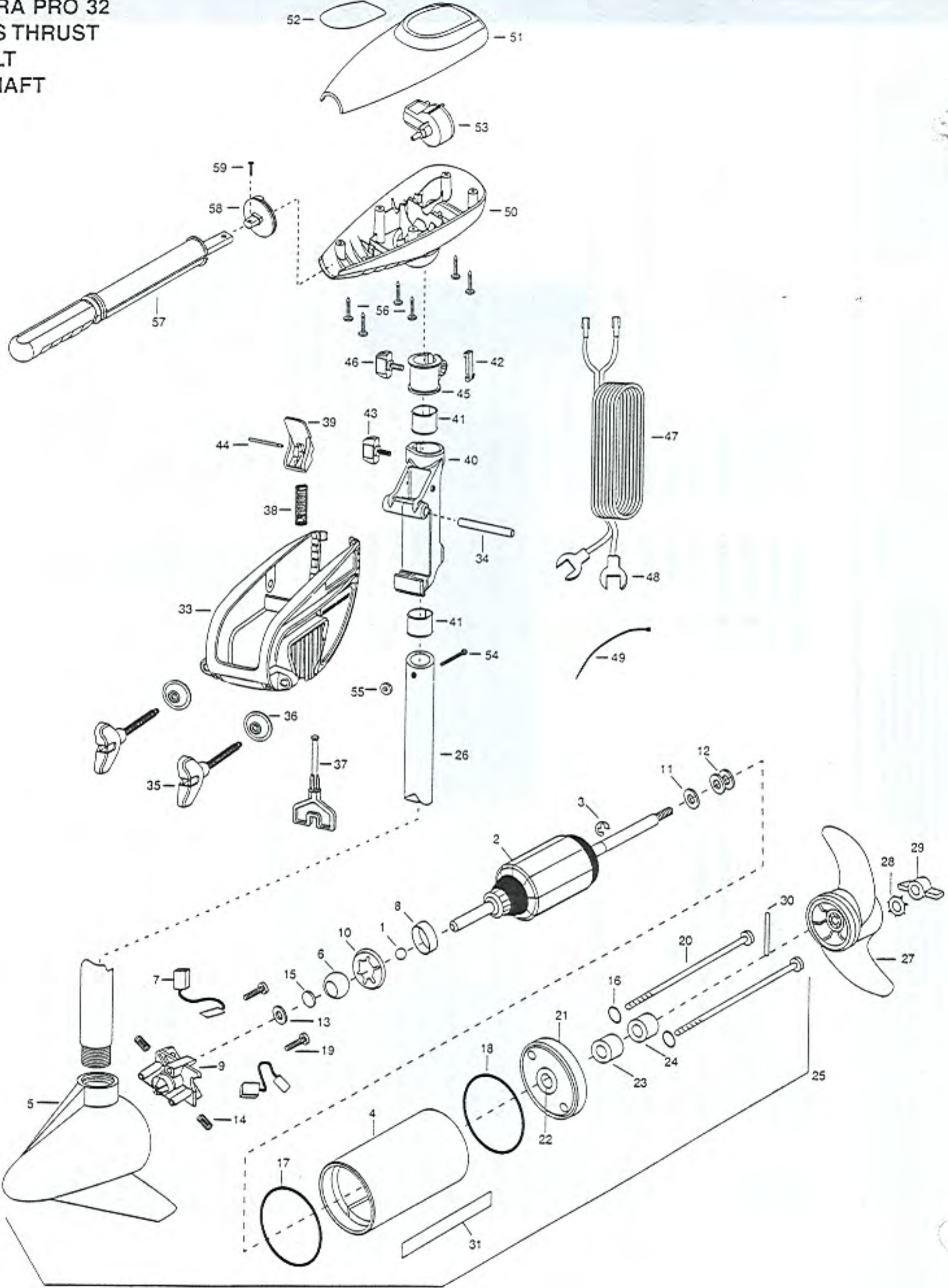


ENDURA PRO 32  
32 LBS THRUST  
12 VOLT  
30" SHAFT



In the U.S.A., replacement parts may be ordered directly from MINN KOTA Parts Dept., JVA MARINE, 7061 Lane, Mankato, Minnesota 56001. In Canada, parts may be ordered from any of the Canadian Authorized Service Centers shown on the enclosed list. Be sure to provide the model and serial numbers of your motor when ordering parts. Please use the correct part numbers from the parts list. Payment for any parts ordered from the MINN KOTA parts department, may be by cash, personal check, Discover Card MasterCard or VISA. To order, call 1-800-227-6433 or FAX 1-800-527-4464.

Fuera de los Estados Unidos, consultar la lista anexa para ubicar el Centro de servicio autorizado MINN KOTA. No dejar de incluir el número del MODELO y el número de SERIE del motor para el cual se solicitan las piezas. Usar siempre los números de pieza correctos indicados en la lista de piezas.

Hors de États-Unis, voir la liste ci-jointe pour le Centre de Service Agréé MINN KOTA le plus proche. Lors d'une commande, ne pas oublier de fournir le numéro de modèle et le numéro de série du moteur. Toujours mentionner le numéro de pièce exact figurant sur la liste des pièces de rechange.

Fora da América do Norte, consulte a lista anexa para identificar o Centro de Serviço Autorizado MINN KOTA. Não deixe de incluir o número do MODELO e o número de SÉRIE do seu motor ao pedir peças. Sempre use os números corretos das peças da lista de peças.

1	116-020	BALL- STEEL	30	2092600	PIN-DRIVE
2	2-100-077	ARMATURE ASSEMBLY 12V 3.25	31	2006603	DECAL- LOWER UNIT WHITE
3	788-015	RETAINING RING	■	2771810	BRACKET & HINGE ASSY (INCLUDES- 33—45)
4	2-200-177	CENTER HOUSING FIELD ASSEMBLY 3.25 TXT	■	2771910	BRACKET ASSEMBLY (INCLUDES- 33,35,36)
5	2-300-142	BRUSH END HOUSING ASSEMBLY	*33	2061910	BRACKET-
6	144-050	BEARING- SPHERICAL	34	2060510	PIN-HINGE
7	188-052	BRUSH ASSEMBLY	■	2881300	SCREW CLAMP, WASHER, RETAINER KIT(2.EA)
8	725-033	BRUSH RETENTION	*35	2061300	SCREW-CLAMP (2 REQ'D)
9	737-031	BRUSH PLATE W/HOLDER 3.25 ASSEMBLY INCLUDES 6, 9, 10, 13	*36	2011710	WASHER-CLAMP SCREW [2.EA]
10	784-036	BEARING RETAINER	37	2063605	T-BAR, PLASTIC
11	990-067	WASHER- STEEL	38	2062706	SPRING- (T-BAR)
12	990-070	WASHER- NYLATRON [2.EA]	39	2067200	LEVER-TILT (RED)
13	991-025	WASHER- FELT	40	2061810	HINGE-PLASTIC
14	975-032	SPRING- COMPRESSION	41	2037300	BUSHING-HINGE [2.EA]
15	303-039	THRUST DISC- METAL	42	2062800	TENSION BLOCK-SNAP IN
16	701-007	O-RING [2.EA]	43	2011385	SCREW, TENSION/KNOB
17	701-039	O-RING MK406460	44	2060515	PIN, TILT LEVER
18	701-041	O-RING	45	2061520	COLLAR-DEPTH ENDURA
19	830-001	SCREW- SELF THREAD 8-32X1.7 [2.EA]	46	2011365	SCREW-COLLAR/NEW KNOB
20	830-078	THRU BOLT 8-32X8.96 [2.EA]	47	2050605	LEADWIRE- 14 GA SPADE TERM
21	423-127	HOUSING- PLAIN END PLAST ASSEMBLY INCLUDES 21, 22, 23, 24	48	2020703	TERMINAL-SPADE 14GA. [2.EA]
22	144-049	BEARING- FLANGE	49	2256300	TIE WRAP
23	880-003	SEAL	50	2062510	CONTROL BOX ENDURA
24	880-006	SEAL W/SHIELD	51	2060211	CONTROL BOX COVER BLACK
25	2069060	MOTOR ASSEMBLY 12V 3.25 5SPC TXT	52	2065627	DECAL COVER ENDURA PRO 3
26	2032045	TUBE, COMPOSITE 30"	53	2064023	SWITCH-FWD/REV 5 SP
27	1378126	PROP KIT INCL. 27,28,29,30	54	2033401	SCREW-10-24 X 1-3/4 SHOULDER
28	2051700	LOCKWASHER-PROP (MEDIUM)	55	2013110	NUT-10-24 HEX ZCP
29	2053100	NUT-PROP (MEDIUM)	56	2012100	SCREW-8-18 X 5/8 THD CUT (6 REQ'D)
			57	2990901	HANDLE ASSEMBLY 5 SPEED
			58	2060405	PIVOT, HANDLE
			59	2012102	SCREW

\* This item is part of an assembly. This item cannot be sold separately due to machining and /or assembly that is required.

# Endura Transom Series (includes PowerMax and Spider 48) Wiring Diagrams

