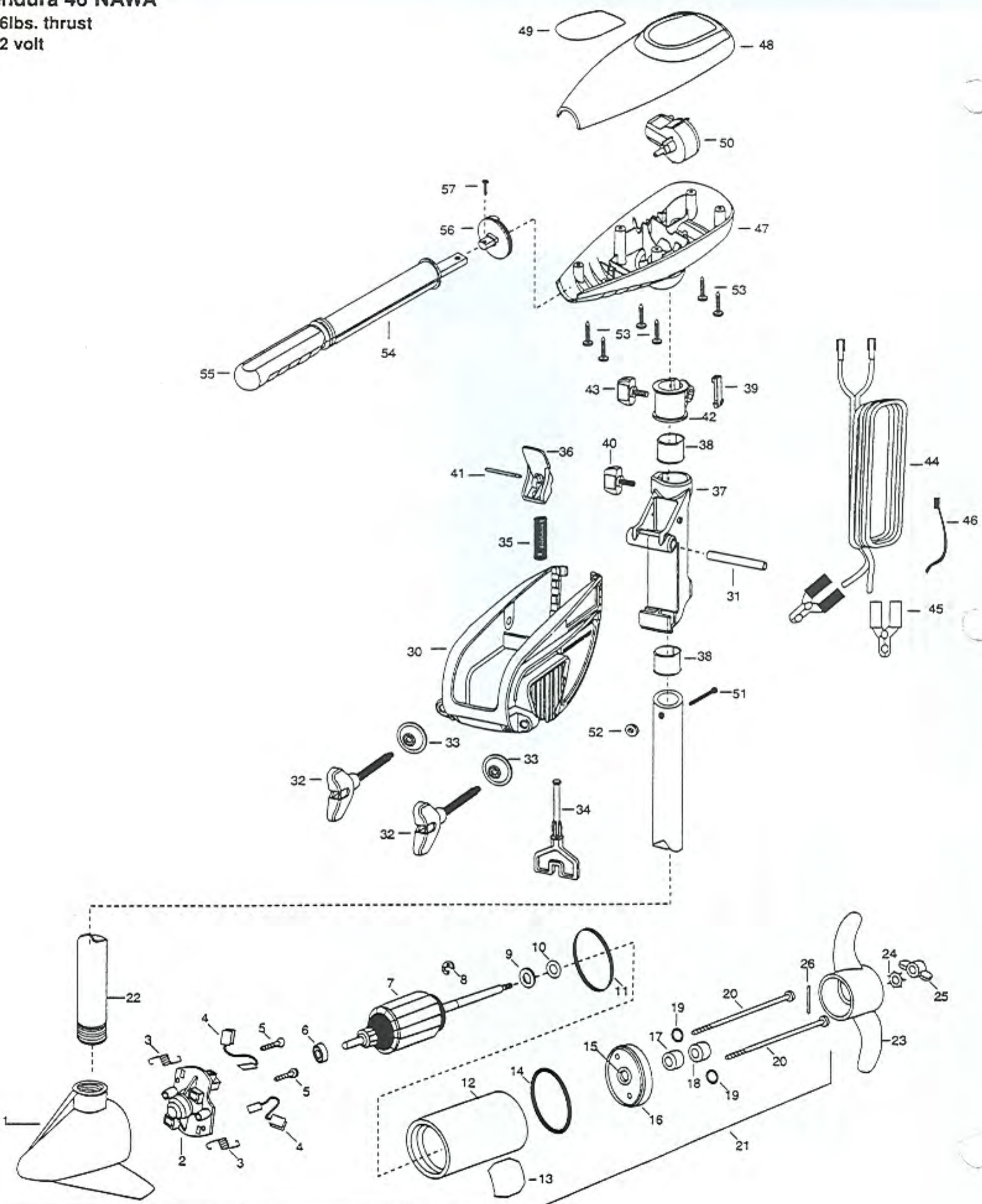


Endura 46 NAWA
46lbs. thrust
12 volt



In the U.S.A., replacement parts may be ordered directly from MINN KOTA Parts Dept., JWA North America, 531 E. Madison Avenue, Shakopee, Minnesota 56001. In Canada, parts may be ordered from any of the Canadian Authorized Service Centers shown on the enclosed list. Be sure to provide the model and serial numbers of your motor when ordering parts. Please use the correct part numbers from the parts list. Payment for any parts ordered from the MINN KOTA parts department, may be by cash, personal check, Discover Card MasterCard or VISA. To order, call 1-800-227-6433 or FAX 1-800-527-4464.

Hors de États-Unis, veuillez vous reporter à la liste ci-jointe pour le Centre de Service Agréé MINN KOTA le plus proche. Ne pas oublier de fournir les numéros de Modèle et de Série of votre Moteur lorsque vous placez une commande. Employez toujours le numéro de pièce exact se trouvant sur la list des pièces de remplacement.

Fora da América do Norte, queira consultar a lista anexa para identificar o Centro de Serviço Autorizado MINN KOTA. Não deixe de incluir o número do MODELO e o número da SÉRIE do seu motor ao pedir peças. Sempre use os números corretos das peças da lista de peças.

1	409027	BRUSH END HOUSING W/COIL	39	2032800	TENSION BLOCK-SNAP IN
2	406403	BRUSH PLATE ASSY 3.5/8 DIA	40	2011385	SCREW, TENSION/KNOB
3	406082	SPRING- BRUSH (2 REQ'D)	41	2060515	PIN, TILT LEVER
4	406071	BRUSH (2 REQ'D)	42	2061520	COLLAR-DEPTH
5	406342	BRUSH PLATE SCREW (2 REQ'D)	43	2011365	SCREW-COLLAR/NEW KNOB
6	406010	BALL BEARING	44	2050600	LEADWIRE (10 GA) CLIPS
7	406208	ARMATURE ASSEMBLY	45	2010700	BATTERY CLIP (2 REQ'D)
8	405300	E-RING-ARMATURE	46	2026300	TIE WRAP
9	406170	WASHER-THRUST (STEEL)	47	2062510	CONTROL BOX
10	405171	WASHER-NYLATRON THRUST	48	2060209	CONTROL BOX COVER
11	406490	GASKET	49	2065537	DECAL COVER ENDURA 46
12	409259	CENTER HOUSING FIELD ASSY	50	2064023	SWITCH-FWD/REV 5 SP
13	2006609	DECAL,MOT-LWR UN STGR/LN	51	2033400	SCREW-10-24 X 1-3/4
14	406470	O-RING	52	2013110	NUT-10-24 HEX
15	406600	BEARING-(FLANGE,SERVICE ONLY)	53	2012100	SCREW-8-18 X 5/8 (6 REQ'D)
16	406033	PLAIN END HOUSING	54	2990901	HANDLE ASSEMBLY 5 SPEED
17	406461	SEAL	*55	2060422	GRIP-HANDLE
18	406471	SEAL-W/CUP	56	2060405	PIVOT, HANDLE
19	405462	O-RING THRU BOLT (2 REQ'D)	57	2012102	SCREW
20	406353	THRU BOLT (2 REQ'D)		2265602	DECAL, NAWA
21	2099062	MOTOR ASSEMBLY			
22	2032053	TUBE COMPOSITE 42"			
23	2091150	PROPELLER (W.WEDGE)			
24	2051700	LOCKWASHER-PROP (MEDIUM)			
25	2053100	NUT-PROP (MEDIUM)			
26	2092600	PIN-DRIVE			
28	2771811	BRACKET & HINGE ASSY (INCLUDES- 29—41)			
29	2771911	BRACKET & HINGE ASSY (INCLUDES- 30,32,33)			
*30	2061911	BRACKET-ORDER 29			
31	2060510	PIN-HINGE			
*32	2061300	SCREW-CLAMP (2 REQ'D)			
*33	2011710	WASHER-CLAMP SCREW (2 REQ'D)			
34	2063605	T-BAR, PLASTIC			
35	2062706	SPRING- (T-BAR)			
36	2067200	LEVER-TILT (RED)			
37	2061810	HINGE-PLASTIC			
38	2037300	BUSHING-HINGE (2 REQ'D)			

* This item is part of an assembly. This item cannot be sold separately due to machining and /or assembly that is required.

Endura Transom Series (includes PowerMax and Spider 48) Wiring Diagrams

