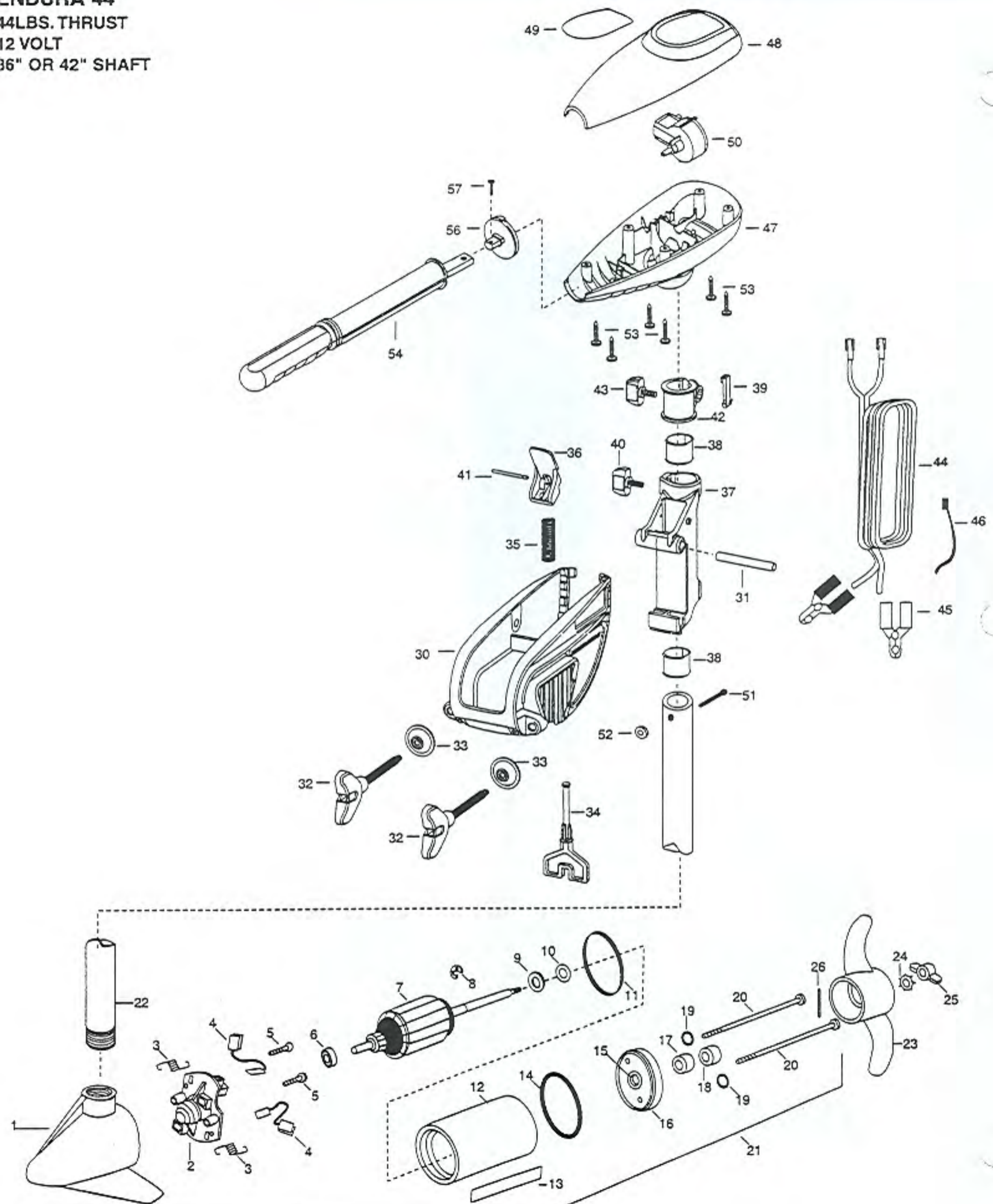


ENDURA 44  
44LBS. THRUST  
12 VOLT  
36" OR 42" SHAFT



In the U.S.A., replacement parts may be ordered directly from MINN KOTA Parts Dept., WA MARINE, 706 Holly Ave., Mankato, Minnesota 56001. In Canada, parts may be ordered from any of the Canadian Authorized Service Centers shown on the enclosed list. Be sure to provide the MODEL and SERIAL numbers of your motor when ordering parts. Please use the correct part numbers from the parts list. Payment for any parts ordered from the MINN KOTA parts department, may be by cash, personal check, Discover Card, MasterCard or VISA. To order, call 1-800-227-6433 or FAX 1-800-527-4464.

Fuera de los Estados Unidos, consultar la lista anexa para ubicar el Centro de servicio autorizado MINN KOTA. No olvidar de incluir el número del MODELO y el número de SERIE del motor para el cual se solicitan las piezas. Usar siempre los números de pieza correctos indicados en la lista de piezas.

Hors de États-Unis, voir la liste ci-jointe pour le Centre de Service Agréé MINN KOTA le plus proche. Lors d'une commande, ne pas oublier de fournir le numéro de modèle et le numéro de série du moteur. Toujours mentionner le numéro de pièce exact figurant sur la liste des pièces de rechange.

Fora da América do Norte, queira consultar a lista anexa para identificar o Centro de Serviço Autorizado MINN KOTA. Não deixe de incluir o número do MODELO e o número de SÉRIE do seu motor ao pedir peças. Sempre use os números corretos das peças da lista de peças.

|     |         |  |    |         |                                |
|-----|---------|--|----|---------|--------------------------------|
| 1   | 409026  | BRUSH END HOUSING W/COIL                     | 34 | 2063605 | T-BAR, PLASTIC                 |
| 2   | 406403  | BRUSH PLATE ASSEMBLY 3.5/8 DIA               | 35 | 2062706 | SPRING - (T-BAR)               |
| 3   | 406082  | SPRING - BRUSH (2 REQ'D)                     | 36 | 2067200 | LEVER - TILT (RED)             |
| 4   | 406071  | BRUSH (2 REQ'D)                              | 37 | 2061810 | HINGE - PLASTIC                |
| 5   | 406342  | BRUSH PLATE SCREW (2 REQ'D)                  | 38 | 2037300 | BUSHING - HINGE (2 REQ'D)      |
| 6   | 406010  | BALL BEARING                                 | 39 | 2062800 | TENSION BLOCK - SNAP IN        |
| 7   | 406208  | ARMATURE ASSEMBLY                            | 40 | 2011385 | SCREW, TENSION/KNOB            |
| 8   | 405300  | E-RING - ARMATURE                            | 41 | 2060515 | PIN, TILT LEVER                |
| 9   | 406170  | WASHER - THRUST (STEEL)                      | 42 | 2061520 | COLLAR - DEPTH                 |
| 10  | 405171  | WASHER - NYLATRON THRUST                     | 43 | 2011365 | SCREW - COLLAR/NEW KNOB        |
| 11  | 406490  | GASKET                                       | 44 | 2050600 | LEADWIRE (10 GA) CLIPS         |
| 12  | 409259  | CENTER HOUSING FIELD ASSEMBLY                | 45 | 2010700 | BATTERY CLIP (2 REQ'D)         |
| 13  | 2006603 | DECAL - LOWER UNIT WHITE                     | 46 | 2056300 | TIE WRAP (2 REQ'D)             |
| 14  | 406470  | O-RING                                       | 47 | 2062510 | CONTROL BOX                    |
| 15  | 406600  | BEARING - (FLANGE, SERVICE ONLY)             | 48 | 2060209 | CONTROL BOX COVER              |
| 16  | 406033  | PLAIN END HOUSING                            | 49 | 2065536 | DECAL COVER ENDURA 44          |
| 17  | 406461  | SEAL   | 50 | 2064023 | SWITCH - FWD/REV 5 SP          |
| 18  | 406471  | SEAL - W/CUP                                 | 51 | 2033400 | SCREW - 10 - 24 X 1-3/4        |
| 19  | 405462  | O-RING THRU BOLT (2 REQ'D)                   | 52 | 2013110 | NUT - 10 - 24 HEX              |
| 20  | 406353  | THRU BOLT (2 REQ'D)                          | 53 | 2012100 | SCREW - 8 - 18 X 5/8 (6 REQ'D) |
| 21  | 2099061 | MOTOR ASSEMBLY 36"                           | 54 | 2990901 | HANDLE ASSEMBLY 5 SPEED        |
|     | 2099062 | MOTOR ASSEMBLY 42"                           | 56 | 2060405 | PIVOT, HANDLE                  |
| 22  | 2032052 | TUBE COMPOSITE 36"                           | 57 | 2012102 | SCREW                          |
|     | 2032053 | TUBE COMPOSITE 42"                           |    |         |                                |
| 23  | 2091150 | PROPELLER (W.WEDGE)                          |    |         |                                |
| 24  | 2051700 | LOCKWASHER - PROP (MEDIUM)                   |    |         |                                |
| 25  | 2053100 | NUT - PROP (MEDIUM)                          |    |         |                                |
| 26  | 2092600 | PIN - DRIVE                                  |    |         |                                |
| 28  | 2771810 | BRACKET & HINGE ASSY (INCLUDES - 29-41)      |    |         |                                |
| 29  | 2771910 | BRACKET & HINGE ASSY (INCLUDES - 30, 32, 33) |    |         |                                |
| *30 | 2061910 | BRACKET - ORDER 29                           |    |         |                                |
| 31  | 2060510 | PIN - HINGE                                  |    |         |                                |
| *32 | 2061300 | SCREW - CLAMP (2 REQ'D)                      |    |         |                                |
| *33 | 2011710 | WASHER - CLAMP SCREW (2 REQ'D)               |    |         |                                |

\* This item is part of an assembly. This item cannot be sold separately due to machining and /or assembly that is required.

# Endura Transom Series (includes PowerMax and Spider 48) Wiring Diagrams

