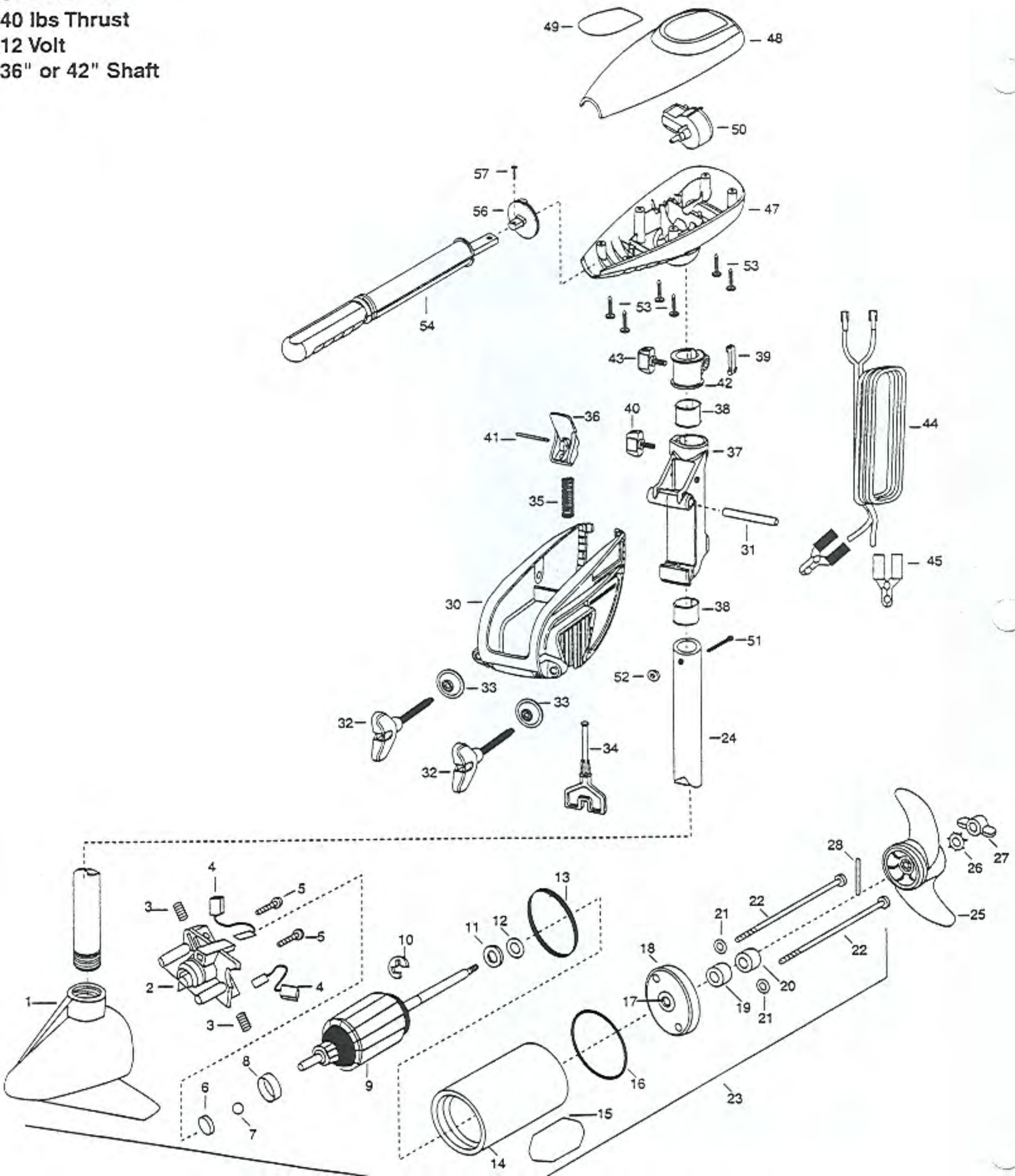


Endura 40
40 lbs Thrust
12 Volt
36" or 42" Shaft



In the U.S.A., replacement parts may be ordered directly from MINN KOTA Parts Dept., JWA MARINE, 706 Holl... ne, Mankato, Minnesota 56001. In Canada, parts may be ordered from any of the ...dian Authorized Service Centers shown on the enclosed list. Be sure to provide the k... and SERIAL numbers of your motor when ordering parts. Please use the correct part numbers from the parts list. Payment for any parts ordered from the MINN KOTA parts department, may be by cash, personal check, Discover Card MasterCard or VISA. To order, call 1-800-227-6433 or FAX 1-800-527-4464.

Fuera de los Estados Unidos, consultar la lista anexa para ubicar el Centro de servicio autorizado MINN KOTA. No... r de incluir el número del MODELO y el... ro de SERIE del motor para el cual se solicitan las piezas. Usar siempre los números de pieza correctos indicados en la lista de piezas.

Hors de États-Unis, voir la liste ci-jointe pour la Centre de Service Agréé MINN KOTA le plus proche. Lors d'une commande, ne pas oublier de fournir le numéro de modèle et le numéro de série du moteur. Toujours mentionner le numéro de pièce exact figurant sur la liste des pièces de rechange.

Fora da América do Norte, queira consultar a lista anexa para identificar o Centro de Serviço Autorizado MINN KOTA. Não deixe de incluir o número do MODELO e o número de SÉRIE do seu motor ao pedir peças. Sempre use os números corretos das peças da lista de peças.

1	406027	BRUSH END HOUSING W/SPD COIL	31	2060510	PIN-HINGE
	405026	BRUSH END HOUSING W/SPD COIL 42"	*32	2061300	SCREW-CLAMP (2 REQ'D)
2	406405	BRUSH PLATE ASSEMBLY	*33	2011710	WASHER-CLAMP SCREW (2 REQ'D)
3	406081	BRUSH SPRING (2 REQ'D)	34	2063605	T-BAR, PLASTIC
4	406072	BRUSH ASSEMBLY (2 REQ'D)	35	2062706	SPRING- (T-BAR)
5	406341	BRUSH PLATE SCREW (2 REQ'D)	36	2067200	LEVER-TILT (RED)
6	403050	THRUST DISK	37	2061810	HINGE-PLASTIC
7	403010	THRUST BALL	38	2037300	BUSHING-HINGE (2 REQ'D)
8	406090	BRUSH HOLDER	39	2062800	TENSION BLOCK-SNAP IN
9	405205	ARMATURE ASSEMBLY	40	2011385	SCREW, TENSION/KNOB
10	405300	E-RING	41	2060515	PIN, TILT LEVER
11	406170	THRUST WASHER-STEEL (AS REQ'D)	42	2061520	COLLAR-DEPTH
12	405171	THRUST WASHER-NYLON (AS REQ'D)	43	2011365	SCREW-COLLAR/NEW KNOB
13	403460	O-RING	44	2050600	LEADWIRE (10 GA) CLIPS
14	405259	CENTER SECTION W/MAGNETS	45	2010700	BATTERY CLIP (2 REQ'D)
15	2006609	DECAL MOTOR	47	2062510	CONTROL BOX
16	406460	O-RING	48	2060209	CONTROL BOX COVER
17	406600	FLANGE BEARING (SERVICE ONLY)	49	2065535	DECAL COVER ENDURA
18	406035	PLAIN END HOUSING	50	2064023	SWITCH-FWD/REV 5 SP
19	406461	SEAL	51	2033401	SCREW-10-24 X 1-3/4
20	406471	SEAL-CUP	52	2013110	NUT-10-24 HEX
21	401462	O-RING—THRU BOLT(2 REQ'D)	53	2012100	SCREW-8-18 X 5/8 (6 REQ'D)
22	405352	THRU BOLT (2 REQ'D)	54	2990901	HANDLE ASSEMBLY 5 SPEED
23	2069041	MOTOR ASSEMBLY-36*	56	2060405	PIVOT, HANDLE
	2069048	MOTOR ASSEMBLY-42*	57	2012102	SCREW
24	2032046	TUBE, COMPOSITE 36"			
	2032053	TUBE, COMPOSITE 42"			
25	1378126	PROPELLER KIT INCL. 25,26,27,28			
26	2051700	LOCKWASHER-PROP (MEDIUM)			
27	2053100	NUT-PROP (MEDIUM)			
28	2092600	PIN-DRIVE			
29	2771810	BRACKET & HINGE ASSY (INCLUDES- 29A—41)			
29A	2771910	BRACKET ASSEMBLY (INCLUDES- 30,32,33)			
*30	2061910	BRACKET-ORDER 29A			

Endura 40

* This item is part of an assembly. This item cannot be sold separately due to machining and /or assembly that is required.

Endura Transom Series (includes PowerMax and Spider 48) Wiring Diagrams

