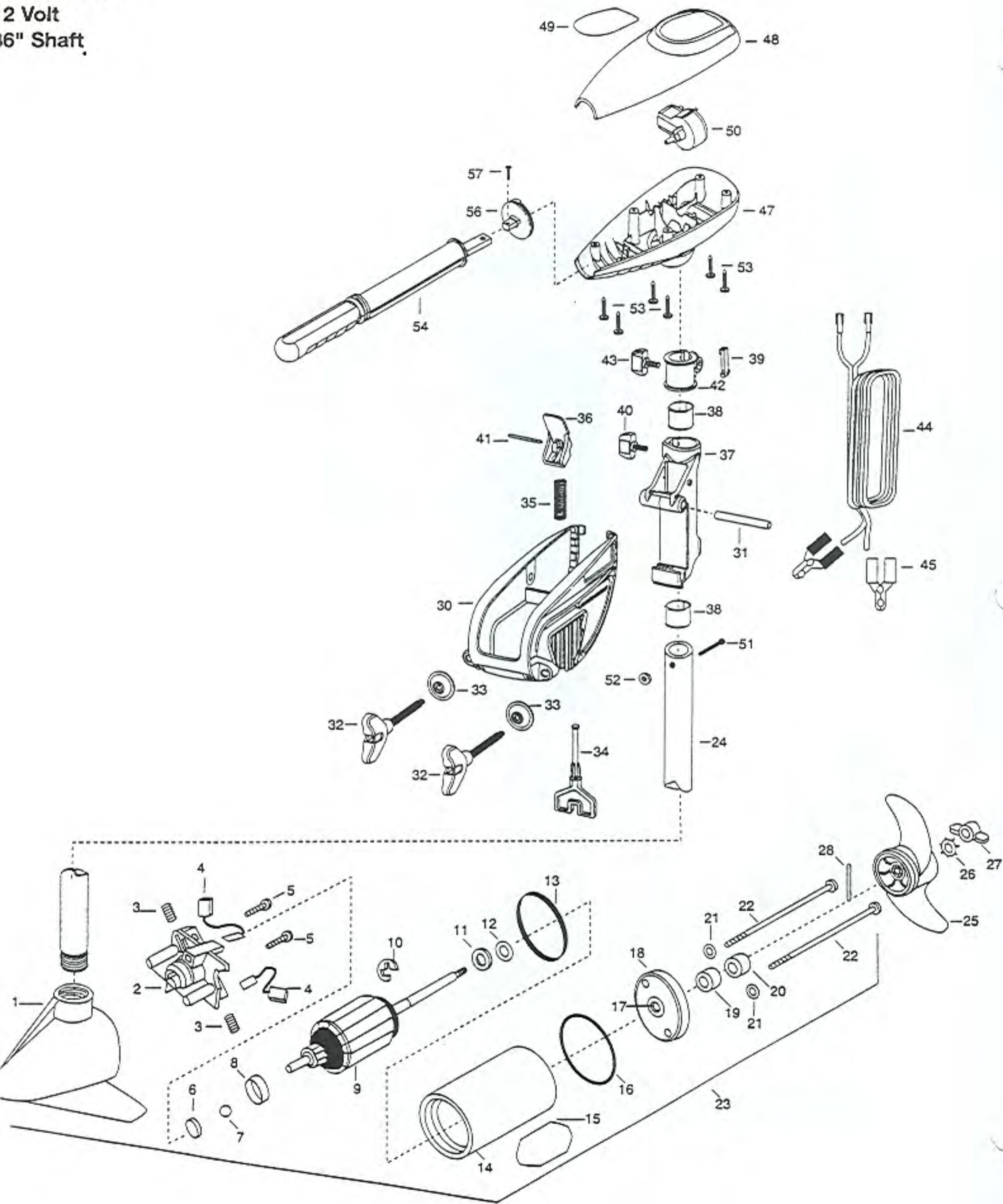


Endura 38
38 lbs Thrust
12 Volt
16" Shaft



In the U.S.A., replacement parts may be ordered directly from MINN KOTA Parts Dept., JWA MARINE, 706 Holly Lane, Mankato, Minnesota 56001. In Canada, parts may be ordered from any of the Canadian Authorized Service Centers shown on the enclosed list. Be sure to provide the MODEL and SERIAL numbers of your motor when ordering parts. Please use the correct part numbers from the parts list. Payment for any parts ordered from the MINN KOTA parts department, may be by cash, personal check, Discover Card MasterCard or VISA. To order, call 1-800-227-6433 or FAX 1-800-527-4464.

Fuera de los Estados Unidos, consultar la lista anexa para ubicar el Centro de servicio autorizado MINN KOTA. No olvidar de incluir el número del MODELO y el número de SERIE del motor para el cual se solicitan las piezas. Usar siempre los números de pieza correctos indicados en la lista de piezas.

Hors de États-Unis, voir la liste ci-jointe pour le Centre de Service Agréé MINN KOTA le plus proche. Lors d'une commande, ne pas oublier de fournir le numéro de modèle et le numéro de série du moteur. Toujours mentionner le numéro de pièce exact figurant sur la liste des pièces de rechange.

Fora da América do Norte, queira consultar a lista anexa para identificar o Centro de Serviço Autorizado MINN KOTA. Não deixe de incluir o número do MODELO e o número de SÉRIE do seu motor ao pedir peças. Sempre use os números corretos das peças da lista de peças.

1	406027	BRUSH END HOUSING W/SPEED COIL	*32	2061300	SCREW-CLAMP (2 REQ'D)
2	406405	BRUSH PLATE W/BEARING ASSEMBLY	*33	2011710	WASHER-CLAMP SCREW (2 REQ'D)
3	406081	BRUSH SPRING (2 REQ'D)	34	2063605	T-BAR, PLASTIC
4	406072	BRUSH ASSEMBLY (2 REQ'D)	35	2062706	SPRING- (T-BAR)
5	406341	BRUSH PLATE SCREW (2 REQ'D)	36	2067200	LEVER-TILT (RED)
6	403050	THRUST DISK- METAL	37	2061810	HINGE-PLASTIC
7	403010	THRUST BALL- STEEL	38	2037300	BUSHING-HINGE (2 REQ'D)
8	406090	BRUSH HOLDER	39	2062800	TENSION BLOCK-SNAP IN
9	405205	ARMATURE ASSEMBLY	40	2011385	SCREW, TENSION/KNOB
10	405300	E-RING -ARMATURE	41	2060515	PIN, TILT LEVER
11	406170	THRUST WASHER- STEEL (AS REQ'D)	42	2061520	COLLAR-DEPTH
12	405171	THRUST WASHER- NYLON (AS REQ'D)	43	2011365	SCREW-COLLAR/NEW KNOB
13	403460	O-RING	44	2050600	LEADWIRE (14 GA) CLIPS
14	405259	CENTER HOUSING W/ MAGNETS	45	2010700	BATTERY CLIP (2 REQ'D)
15	2006609	DECAL MOTOR	46	2256300	TIE WRAP
16	406460	O-RING	47	2062510	CONTROL BOX
17	406600	BEARING- FLANGE (SERVICE ONLY)	48	2060209	CONTROL BOX COVER
18	406035	PLAIN END HOUSING	49	2065529	DECAL COVER ENDURA 38
19	406461	SEAL	50	2064023	SWITCH-FWD/REV 5 SP
20	406471	SEAL- W/CUP	51	2033401	SCREW-10-24 X 1-3/4 SHOULDER
21	401462	O-RING- THRU BOLT (2 REQ'D)	52	2013110	NUT-10-24 HEX
22	405352	THRU BOLT (2 REQ'D)	53	2012100	SCREW-8-18 X 5/8 (6 REQ'D)
23	2069041	MOTOR ASSEMBLY	54	2990901	HANDLE ASSEMBLY 5 SPEED
24	2032046	TUBE, COMPOSITE 36*	56	2060405	PIVOT, HANDLE
25	2061125	PROP 3.25* HUB	57	2012102	SCREW
26	2051700	LOCKWASHER-PROP (MEDIUM)			
27	2053100	NUT-PROP (MEDIUM)			
28	2092600	PIN-DRIVE			
29	2771810	BRACKET & HINGE ASSY (INCLUDES- 29A-41)			
29A	2771910	BRACKET & HINGE ASSY (INCLUDES- 30, 32, 33)			
*30	2061910	BRACKET-ORDER 29A			
31	2060510	PIN-HINGE			

Endura 38

* This item is part of an assembly. This item cannot be sold separately due to machining and /or assembly that is required.

Endura Transom Series (includes PowerMax and Spider 48) Wiring Diagrams

