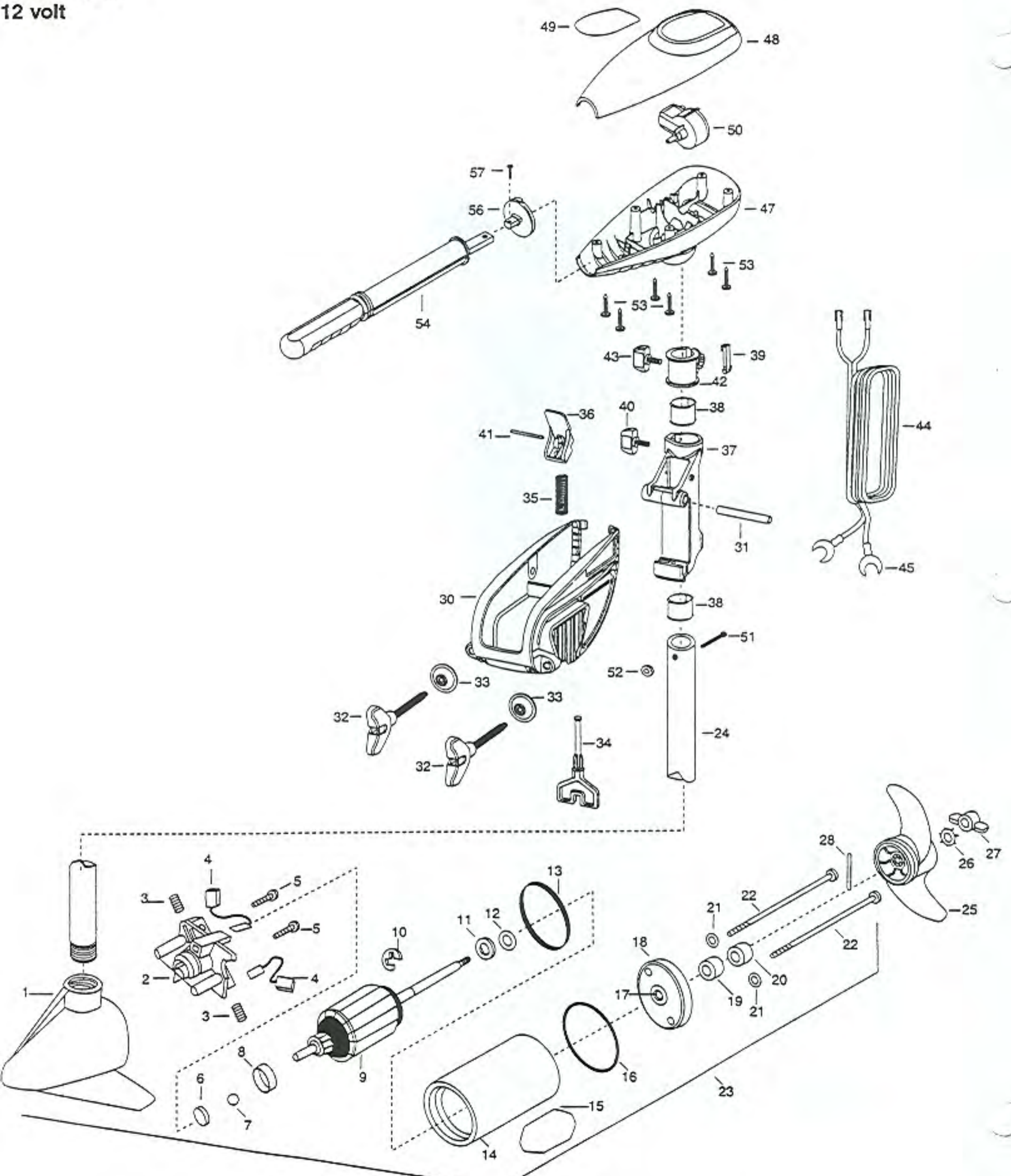


Endura 34
34 lbs Thrust
12 volt



In the U.S.A., replacement parts may be ordered directly from MINN KOTA Parts Dept.,
 WA MARINE, 706 Holt Ave., Mankato, Minnesota 56001. In Canada, parts may be
 ordered from any of the Canadian Authorized Service Centers shown on the enclosed list.
 Be sure to provide the make and SERIAL numbers of your motor when ordering parts.
 Please use the correct part numbers from the parts list. Payment for any parts ordered
 from the MINN KOTA parts department, may be by cash, personal check, Discover Card,
 MasterCard or VISA. To order, call 1-800-227-6433 or FAX 1-800-527-4464.

Fuera de los Estados Unidos, consultar la
 lista anexa para ubicar el Centro de servicio
 autorizado MINN KOTA. No olvidar incluir el
 número del MODELO y el número de SERIE
 del motor para el cual se solicitan las piezas.
 Usar siempre los números de pieza correc-
 tos indicados en la lista de piezas.

Hors de États-Unis, voir la liste ci-jointe pour
 le Centre de Service Agréé MINN KOTA le
 plus proche. Lors d'une commande, ne pas
 oublier de fournir le numéro de modèle et le
 numéro de série du moteur. Toujours men-
 tionner le numéro de pièce exact figurant sur
 la liste des pièces de rechange.

Fora da América do Norte, queira consul-
 tar a lista anexa para identificar o Centro
 de Serviço Autorizado MINN KOTA. Não
 deixe de incluir o número do MODELO e
 o número de SÉRIE do seu motor ao
 pedir peças. Sempre use os números
 corretos das peças da lista de peças.

1	403025	BRUSH END HOUSING W/POTTED COIL	37	2061810	HINGE-PLASTIC
2	406405	BRUSH PLATE ASSEMBLY	38	2037300	BUSHING-HINGE (2 REQ'D)
3	406081	BRUSH SPRING (2 REQ'D)	39	2062800	TENSION BLOCK-SNAP IN
4	406072	BRUSH ASSEMBLY (2 REQ'D)	40	2011385	SCREW, TENSION/KNOB
5	406341	BRUSH PLATE SCREW (2 REQ'D)	41	2060515	PIN, TILT LEVER
6	403050	THRUST DISK	42	2061520	COLLAR-DEPTH
7	403010	THRUST BALL	43	2011365	SCREW-COLLAR/NEW KNOB
8	406090	BRUSH HOLDER	44	2020605	LEADWIRE (14 GA) SPADE T
9	403207	ARMATURE ASSEMBLY	45	2020703	SPADE TERMINAL (2 REQ'D)
10	405300	E-RING	46	2256300	TIE WRAP
11	406170	THRUST WASHER- STEEL (AS REQ'D)	47	2062510	CONTROL BOX
12	405171	THRUST WASHER- NYLON (AS REQ'D)	48	2060209	CONTROL BOX COVER
13	403460	O-RING	49	2065533	DECAL COVER ENDURA
14	403257	CENTER SECTION W/MAGNETS	50	2064023	SWITCH-FWD/REV 5 SP
15	2006603	DECAL LOWER UNIT WHITE	51	2033401	SCREW-10-24 X 1-3/4
16	406460	O-RING	52	2013110	NUT-10-24 HEX
17	406600	FLANGE BEARING (SERVICE ONLY)	53	2012100	SCREW-8-18 X 5/8 (6 REQ'D)
18	403033	PLAIN END HOUSING	54	2990901	HANDLE ASSEMBLY 5 SPEED
19	406461	SEAL	*55	2060422	GRIP-HANDLE
20	406471	SEAL- CUP	56	2060405	PIVOT, HANDLE
21	401462	O-RING —THRU BOLT (2 REQ'D)	57	2012102	SCREW
22	403354	THRU BOLT (2 REQ'D)			
23	2069061	MOTOR ASSEMBLY			
24	2032046	TUBE, COMPOSITE 36"			
25	2061125	PROP (WEEDLESS WEDGE)			
26	2051700	LOCKWASHER-PROP (MEDIUM)			
27	2053100	NUT-PROP (MEDIUM)			
28	2092600	PIN-DRIVE			
29	2991811	BRACKET & HINGE ASSY (INCLUDES- 29A-41)			
29A	2771910	BRACKET ASSY (INCLUDES- 30, 32, 33)			
*30	2061910	BRACKET-ORDER 29A			
31	2060510	PIN-HINGE			
*32	2061300	SCREW-CLAMP (2 REQ'D)			
*33	2011710	WASHER-CLAMP SCREW (2 REQ'D)			
34	2063605	T-BAR, PLASTIC			
35	2062706	SPRING- (T-BAR)			
36	2067200	LEVER-TILT (RED)			

* This item is part of an assembly. This item cannot be sold separately due to machining and /or assembly that is required.

Endura Transom Series (includes PowerMax and Spider 48) Wiring Diagrams

