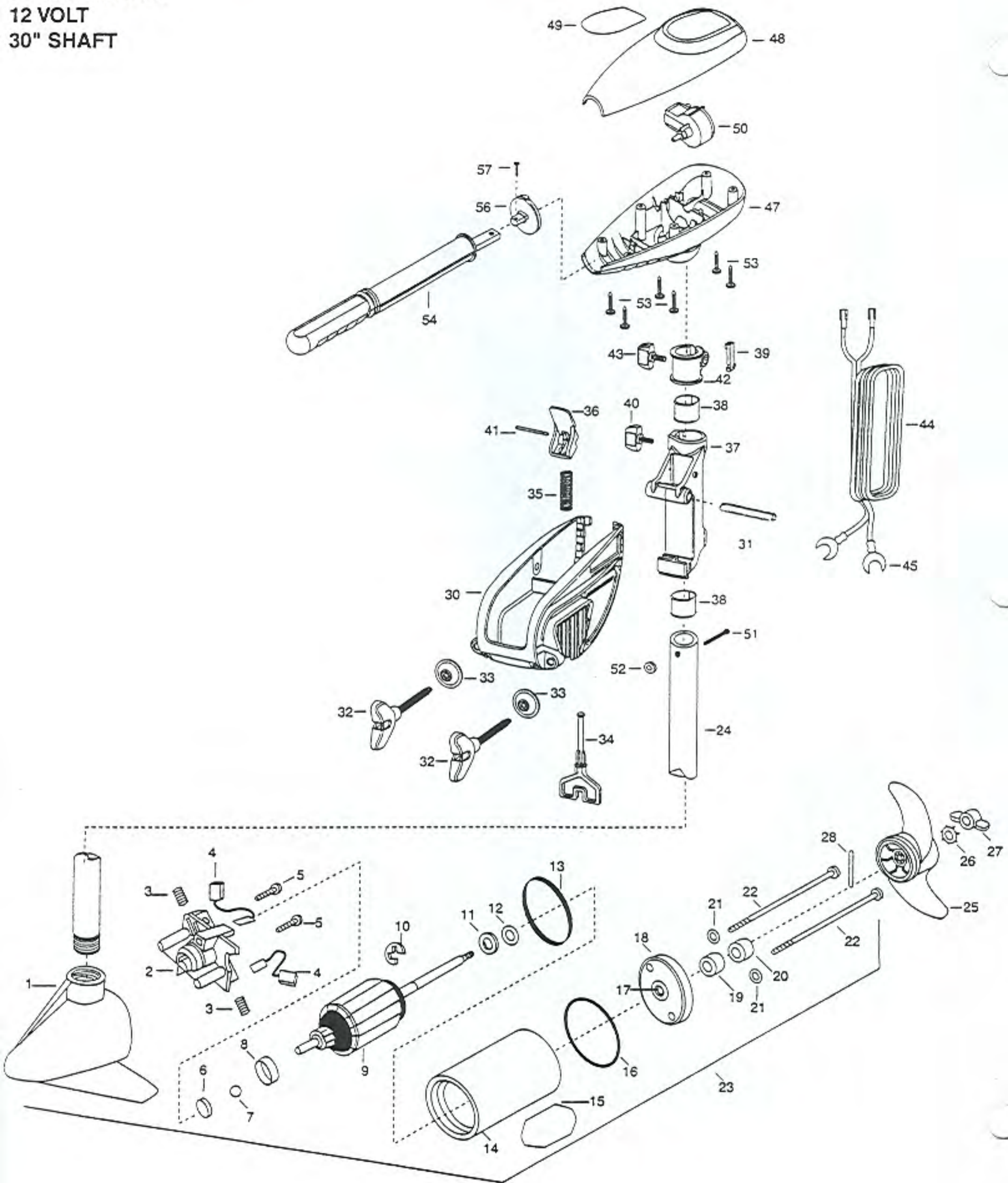


ENDURA 30
30 LBS THRUST
12 VOLT
30" SHAFT



In the U.S.A., replacement parts may be ordered directly from MINN KOTA Parts Dept.,
 WA MARINE, 706 Holly me, Mankato, Minnesota 56001. In Canada, parts may be
 ordered from any of the Authorized Service Centers shown on the enclosed list.
 Be sure to provide the model and serial numbers of your motor when ordering parts.
 Please use the correct part numbers from the parts list. Payment for any parts ordered
 from the MINN KOTA parts department, may be by cash, personal check, Discover Card,
 MasterCard or VISA. To order, call 1-800-227-6433 or FAX 1-800-527-4464.

Fuera de los Estados Unidos, consultar la lista anexa para ubicar el Centro de servicio
 autorizado MINN KOTA. No olvidar incluir el
 número del MODELO y el número de SERIE
 del motor para el cual se solicitan las piezas.
 Usar siempre los números de pieza correctos
 indicados en la lista de piezas.

Hors de Etats-Unis, voir la liste ci-jointe pour le
 Centre de Service Agréé MINN KOTA le plus
 proche. Lors d'une commande, ne pas oublier
 de fournir le numéro de modèle et le numéro
 de série du moteur. Toujours mentionner le
 numéro de pièce exact figurant sur la liste des
 pièces de rechange.

Fora da América do Norte, queira consultar
 a lista anexa para identificar o Centro de
 Serviço Autorizado MINN KOTA. Não deixe
 de incluir o número do MODELO e o
 número de SÉRIE do seu motor ao pedir
 peças. Sempre use os números corretos
 das peças da lista de peças.

1	403025	BRUSH END HOUSING W/POTTED COIL	34	2063605	T-BAR, PLASTIC
2	406405	BRUSH PLATE ASSEMBLY	35	2062706	SPRING- (T-BAR)
3	406081	BRUSH SPRING (2 REQ'D)	36	2067200	LEVER-TILT (RED)
4	406072	BRUSH ASSEMBLY (2 REQ'D)	37	2061810	HINGE-PLASTIC
5	406341	BRUSH PLATE SCREW (2 REQ'D)	38	2037300	BUSHING-HINGE (2 REQ'D)
6	403050	THRUST DISK	39	2062800	TENSION BLOCK-SNAP IN
7	403010	THRUST BALL	40	2011385	SCREW, TENSION/NEW KNOB
8	406090	BRUSH HOLDER	41	2060515	PIN, TILT LEVER
9	403207	ARMATURE ASSEMBLY	42	2061520	COLLAR-DEPTH
10	405300	E-RING	43	2011365	SCREW-COLLAR/NEW KNOB
11	406170	THRUST WASHER- STEEL (AS REQ'D)	44	2020605	LEADWIRE (14 GA) W/SPADE TERMINAL
12	405171	THRUST WASHER- NYLON (AS REQ'D)	45	2020703	SPADE TERMINAL (2 REQ'D)
13	403460	O-RING	46	2256300	TIE WRAP 5.5 BLACK
14	403257	CENTER SECTION W/MAGNETS	47	2062510	CONTROL BOX
15	2006603	DECAL- LOWER UNIT WHITE	48	2060209	CONTROL BOX COVER
16	406460	O-RING	49	2065532	DECAL COVER ENDURA
17	406600	FLANGE BEARING (SERVICE ONLY)	50	2064023	SWITCH-FWD/REV 5 SP
18	403033	PLAIN END HOUSING	51	2033401	SCREW-10-24 X 1-3/4
19	406461	SEAL	52	2013110	NUT-10-24 HEX
20	406471	SEAL- CUP	53	2012100	SCREW-8-18 X 5/8 (6 REQ'D)
21	401462	O-RING —THRU BOLT (2 REQ'D)	54	2990901	HANDLE ASSEMBLY 5 SPEED
22	403354	THRU BOLT (2 REQ'D)	56	2060405	PIVOT, HANDLE
23	2069060	MOTOR ASSEMBLY	57	2012102	SCREW
24	2032045	TUBE, COMPOSITE 30*			
25	2061125	PROP (WEEDLESS WEDGE)			
26	2051700	LOCKWASHER-PROP (MEDIUM)			
27	2053100	NUT-PROP (MEDIUM)			
28	2092600	PIN-DRIVE			
29	2771810	BRACKET & HINGE ASSY (INCLUDES- 29A-41)			
29A	2771910	BRACKET & HINGE ASSY (INCLUDES- 30, 32, 33)			
*30	2061910	BRACKET-ORDER 29A			
31	2060510	PIN-HINGE			
*32	2061300	SCREW-CLAMP (2 REQ'D)			
*33	2011710	WASHER-CLAMP SCREW (2 REQ'D)			

Endura 30

* This item is part of an assembly. This item cannot be sold separately due to machining and /or assembly that is required.

Endura Transom Series (includes PowerMax and Spider 48) Wiring Diagrams

