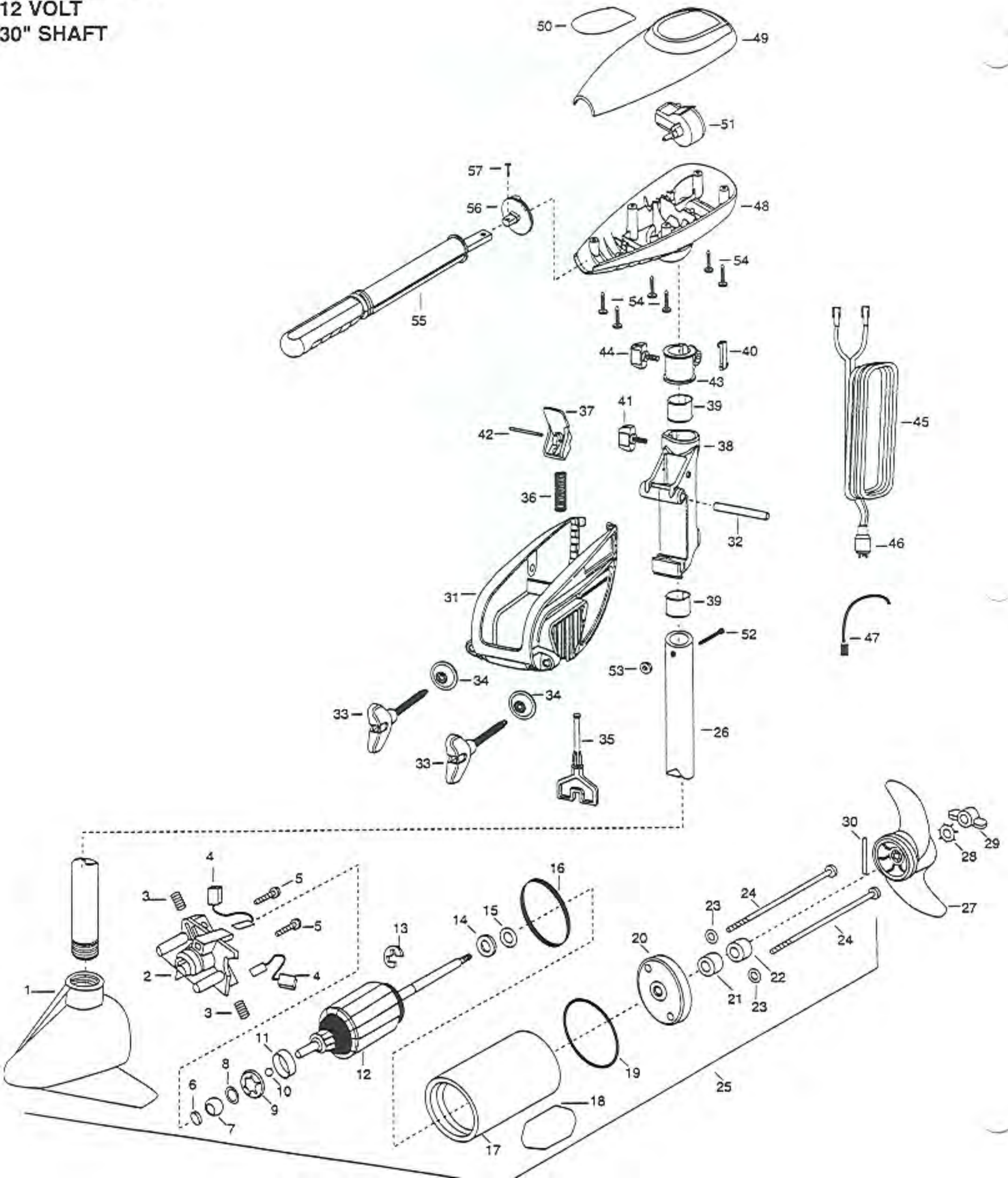


ENDURA 28  
28 LBS THRUST  
12 VOLT  
30" SHAFT





In the U.S.A., replacement parts may be ordered directly from MINN KOTA Parts Dept., JWA MARINE, 706 H...ane, Marika), Minnesota 56001. In Canada, parts may be ordered from any of t...adian Authorized Service Centers shown on the enclosed list. Be sure to provide the...el and serial numbers of your motor when ordering parts. Please use the correct part numbers from the parts list. Payment for any parts ordered from the MINN KOTA parts department, may be by cash, personal check, Discover Card MasterCard or VISA. To order, call 1-800-227-6433 or FAX 1-800-527-4464.

Fuera de los Estados Unidos, consultar la lista anexa para ubicar el Centro de servicio autorizado MINN KOTA. No olvidar incluir el número del MODELO y el número de SERIE del motor para el cual se solicitan las piezas. Usar siempre los números de pieza correctos indicados en la lista de piezas.

Hors de États-Unis, voir la liste ci-jointe pour le Centre de Service Agréé MINN KOTA le plus proche. Lors d'une commande, ne pas oublier de fournir le numéro de modèle et le numéro de série du moteur. Toujours mentionner le numéro de pièce exact figurant sur la liste des pièces de rechange.

Fora da América do Norte, queira consultar a lista anexa para identificar o Centro de Serviço Autorizado MINN KOTA. Não deixe de incluir o número do Modelo e o número de SÉRIE do seu motor ao pedir peças. Sempre use os números corretos das peças da lista de peças.

- |          |           |  |          |         |   |
|----------|-----------|--|----------|---------|---|
| 1        | 2-300-142 | BRUSH END HOUSING ASSEMBLY   | F        | 2771810 | BRACKET & HINGE ASSEMBLY                                      |
| 2        | 738-030   | BRUSH PLATE W/HOLDER ASSEMBLY<br>(INCL. ITEMS 2, 6, 7, 8, & 9)                     |          |         | (INCL. ITEMS 31, 32, 33, 34, 35, 36, 37, 38, 39, 40, 41 & 42) |
| <b>A</b> | 2886072   | BRUSHES W/ BRUSH SPRING KIT<br>(INCL. 2EA. ITEMS 3 & 4)                            | 32       | 2060510 | PIN-HINGE   |
| 5        | 830-001   | SCREW SELF THREAD 8-32 X 1.7 ( 2 REQ'D )   | 35       | 2063605 | T-BAR, PLASTIC  |
| 6        | 303-039   | THRUST DISK- STEEL   | 36       | 2062706 | SPRING- (T-BAR)   |
| 7        | 144-050   | SPHERICAL BEARING  | 37       | 2067200 | LEVER-TILT (RED   |
| 8        | 991-025   | FELT WASHER  | 38       | 2061810 | HINGE-PLASTIC   |
| 9        | 734-038   | BEARING RETAINER   | 39       | 2037300 | BUSHING-HINGE (2 REQ'D)                                       |
| 10       | 116-020   | BALL- STEEL  | 40       | 2062800 | TENSION BLOCK-SNAP IN   |
| 11       | 725-033   | BRUSH RETAINER   | 41       | 2011385 | SCREW, TENSION/NEW KNOB                                       |
| 12       | 2-100-097 | ARMATURE ASSEMBLY 12V 3.25   | 42       | 2060515 | PIN, TILT LEVER   |
| 13       | 788-015   | RETAINING RING   | 43       | 2061520 | COLLAR-DEPTH  |
| 14       | 990-067   | THRUST WASHER- STEEL   | 44       | 2011365 | SCREW-COLLAR/NEW KNOB   |
| 15       | 990-070   | WASHER- NYLATRON ( 2 REQ'D )   | 45       | 2020615 | LEADWIRE ASSEMBLY (14 GA)<br>(INCL. ITEMS 45, 46 & 47)        |
| <b>B</b> | 2883460   | SEALS W/ O-RINGS KIT<br>(INCL. ITEMS 16,19, 21, 22 & 2EA ITEM 23)                  | 46       | 2026700 | PLUG- LEADWIRE  |
| 17       | 2-200-177 | CENTER HOUSING FIELD ASSEMBLY  | 47       | 2256300 | TIE WRAP 5.5 BLACK  |
| 18       | 2006609   | DECAL MOTOR  | 48       | 2062510 | CONTROL BOX   |
| 20       | 2-400-127 | PLAIN END HOUSING ASSEMBLY   | 49       | 2060209 | CONTROL BOX COVER   |
| 24       | 830-076   | THRU BOLT 8-32 X 8 ( 2 REQ'D )   | 50       | 2065620 | DECAL COVER ENDURA 28-30"                                     |
| 25       | 2069060   | MOTOR ASSEMBLY   | 51       | 2064023 | SWITCH-FWD/REV 5 SP   |
| 26       | 2032045   | TUBE, COMPOSITE 30"  | 52       | 2033401 | SCREW-10-24 X 1-3/4   |
| <b>C</b> | 1378126   | PROP W/ DRIVE PIN, NUT & WASHER KIT<br>(INCL. ITEMS 27, 28, 29 & 30)               | 53       | 2013110 | NUT-10-24 HEX   |
| 28       | 2051700   | LOCKWASHER- PROP MEDIUM  | 54       | 2012100 | SCREW-8-18 X 5/8 (6 REQ'D)                                    |
| 29       | 2053100   | NUT- PROP MEDIUM   | <b>G</b> | 2990901 | HANDLE ASSEMBLY 5 SPEED<br>(INCL. ITEMS 55, 56 & 57)          |
| 30       | 2092600   | PIN- DRIVE   | 56       | 2060405 | PIVOT, HANDLE   |
| <b>D</b> | 2771910   | BRACKET W/ CLAMP SCREWS & WASHERS KIT<br>(INCL. ITEMS 31 & 2 EA. ITEMS 33 & 34)    | 57       | 2012102 | SCREW   |
| <b>E</b> | 2881300   | CLAMP SCREWS ,WASHERS AND RETAINERS KIT<br>(INCL. 2EA ITEMS 33 & 34 + 2 RETAINERS) |          |         |   |



# Endura Transom Series (includes PowerMax and Spider 48) Wiring Diagrams

